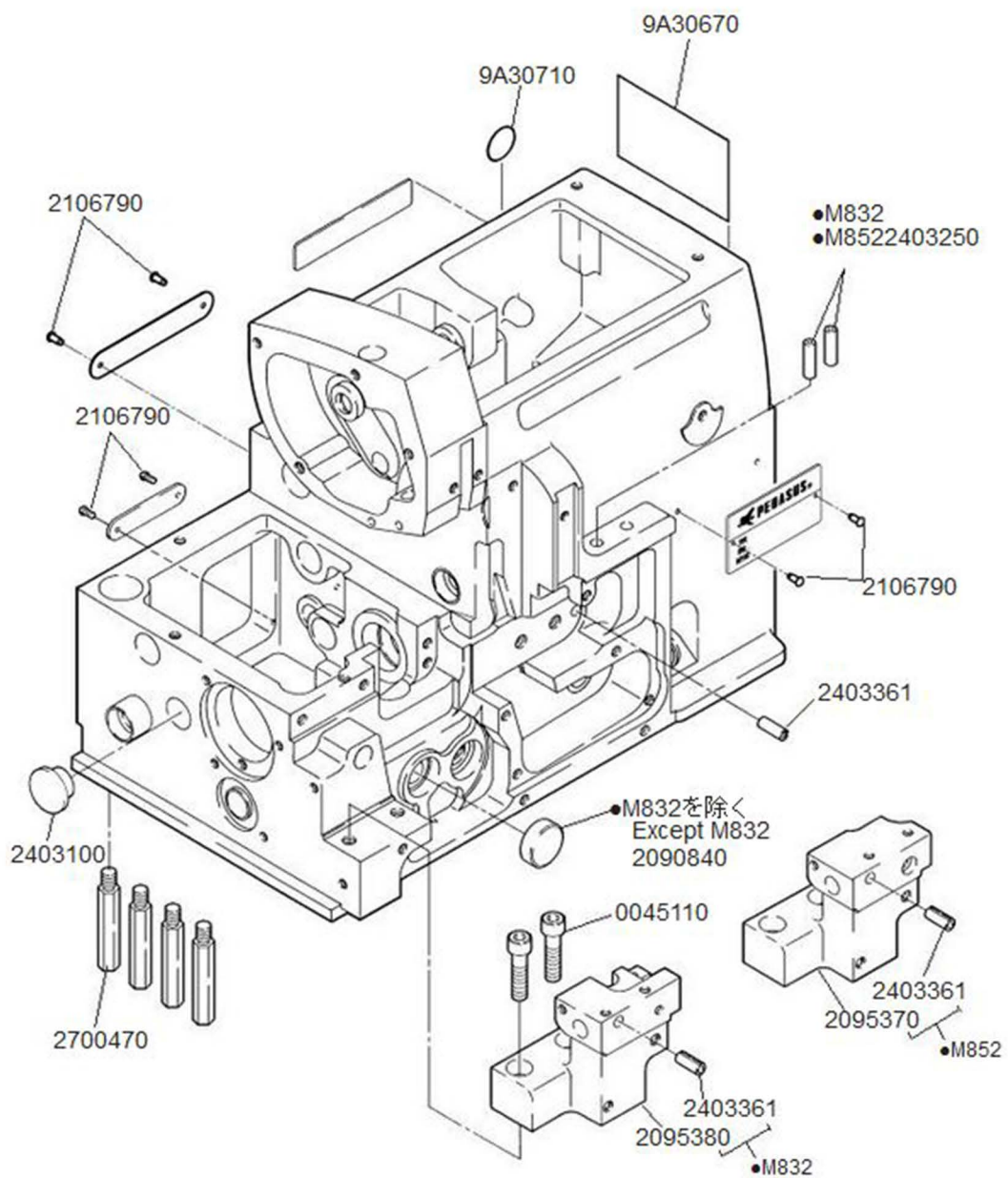


M832・M852

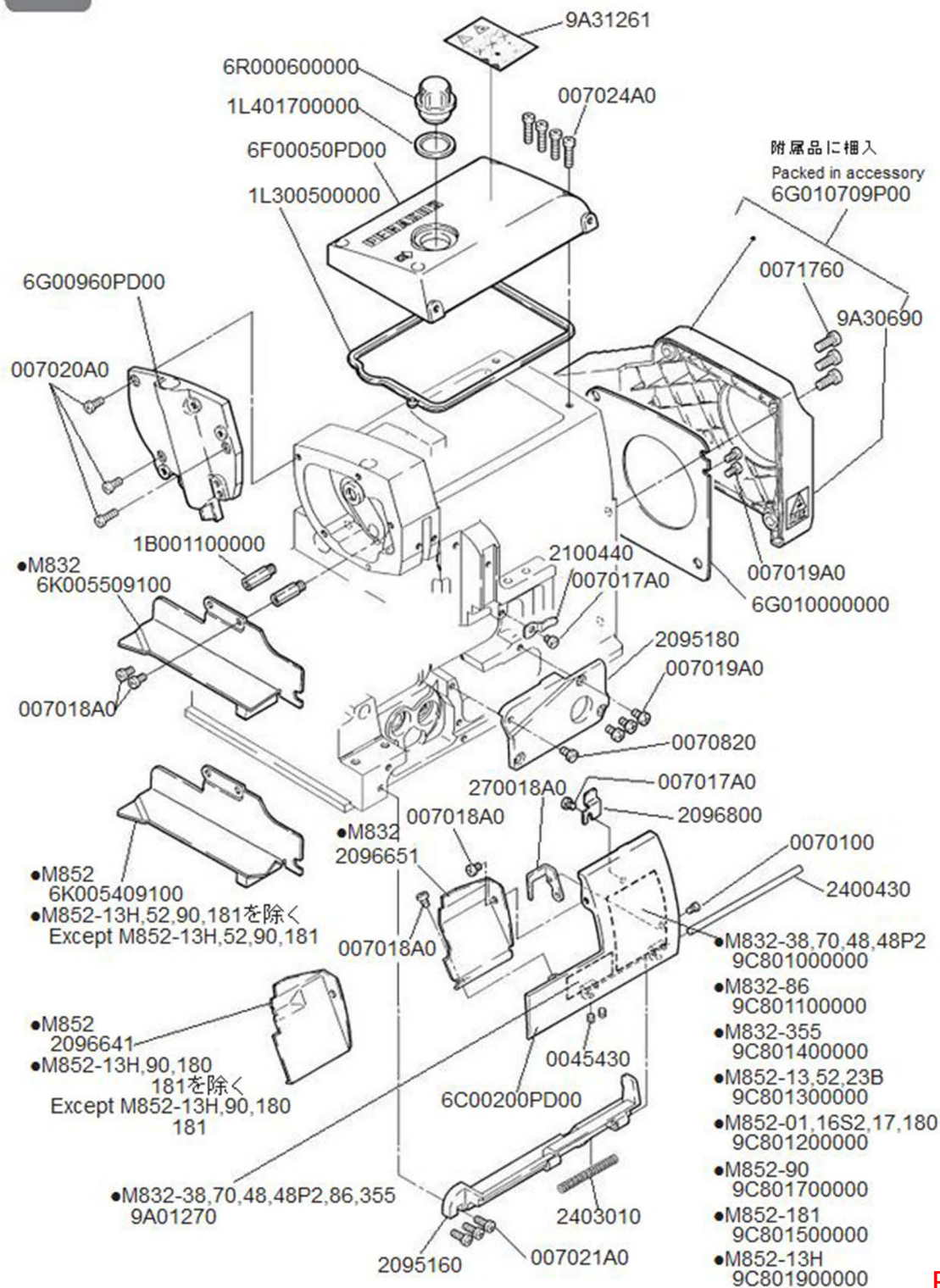
M832 Series 安全縫いマシン
Safety stitch machines

M852 Series オーバーロックマシン
Overedgers

Parts Checker

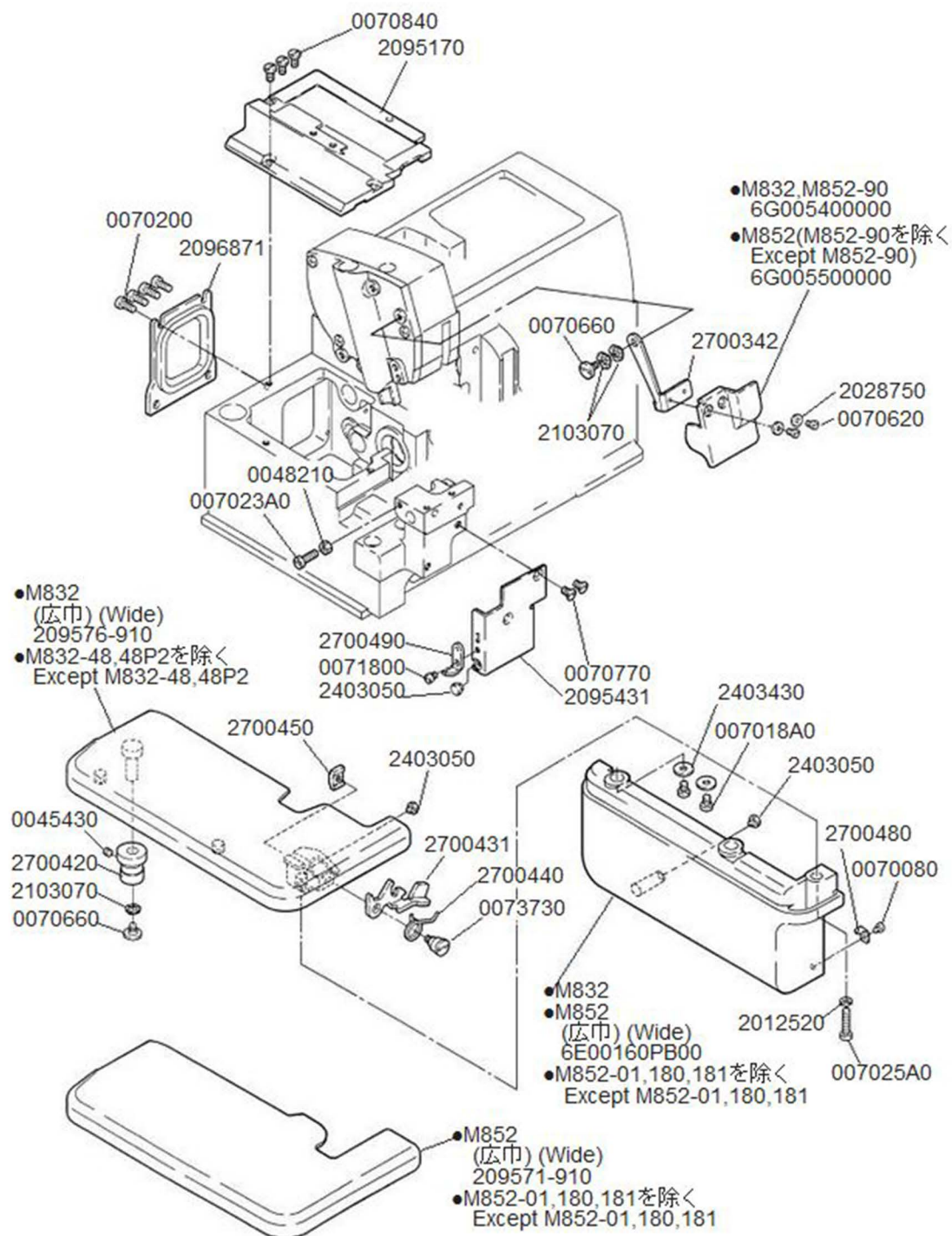


No.	Parts No.	Name
1	210679000009	PIN
2	210679000009	PIN
3	270047000009	BED PIN
4	9A3071000009	LABEL
5	9A3067000009	CAUTION LABEL
6	240325000009	PIPE
7	210679000009	PIN
8	240336000019	PIN
9	209084000009	PLUG
10	004511000009	BOLT
11	240336000019	PIN
12	209538000009	BRACKET
13	240336000019	PIN
14	209537000009	BRACKET

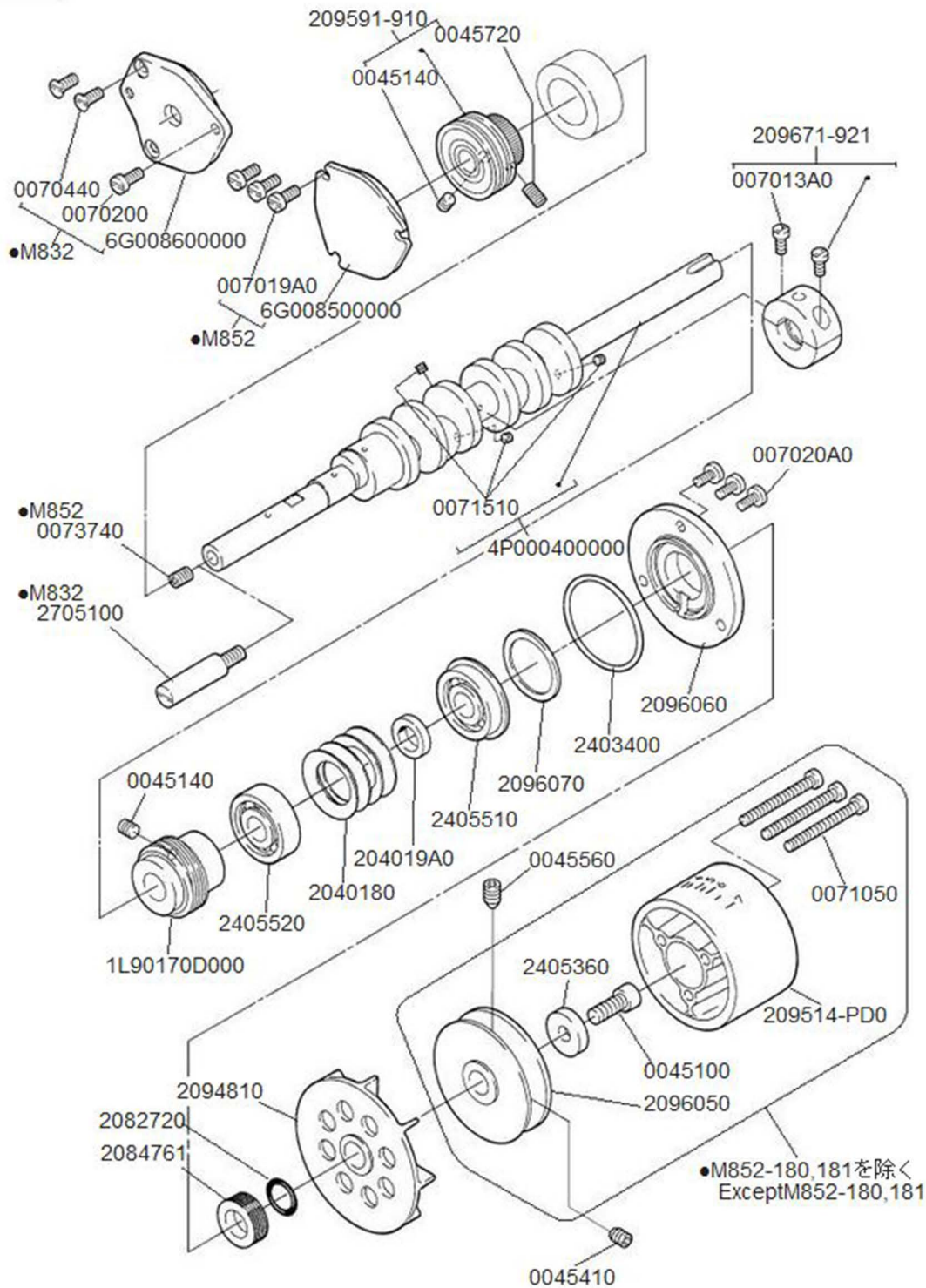


No.	Parts No.	Name
1	9A3126000019	LABEL
2	007024A00009	SCREW
3	6R0006000009	OIL SIGHT WINDOW
4	1L4017000009	GASKET
5	6F00050PD009	TOP COVER
6	1L3005000009	RUBBER RING
7	6G00960PD009	HEAD COVER
8	007020A00009	SCREW
9	1B0011000009	SCREW
10	6K0055091009	FABRIC GUARD ASSY
11	007018A00009	SCREW
12	6K0054091009	FABRIC GUARD ASSY
13	209664000019	FRONT COVER(CENTER)
14	9A0127000009	THREADING DIAGRAM
15	210044000009	FLAT SPRING
16	007017A00009	SCREW
17	209518000009	COVER
18	007019A00009	SCREW
19	007082000009	SCREW
20	007017A00009	SCREW
21	209680000009	LATCH
22	270018A00009	LATCH
23	007018A00009	SCREW
24	209665000019	FRONT COVER(CENTER)
25	007018A00009	SCREW
26	004543000009	SCREW
27	6C00200PD009	FRONT COVER (RIGHT)
28	240301000009	SPRING
29	007021A00009	SCREW
30	209516000009	HINGE/EDGE GUIDE BRACKET
31	6G010709P009	BELT COVER COMPLETE
32	007176000009	SCREW
33	9A3069000009	CAUTION LABEL
34	007019A00009	SCREW
35	6G0100000009	COVER
36	007010000009	SCREW
37	240043000009	PIN
38	9C8010000009	THREADING DIAGRAM
39	9C8011000009	THREADING DIAGRAM
40	9C8014000009	THREADING DIAGRAM

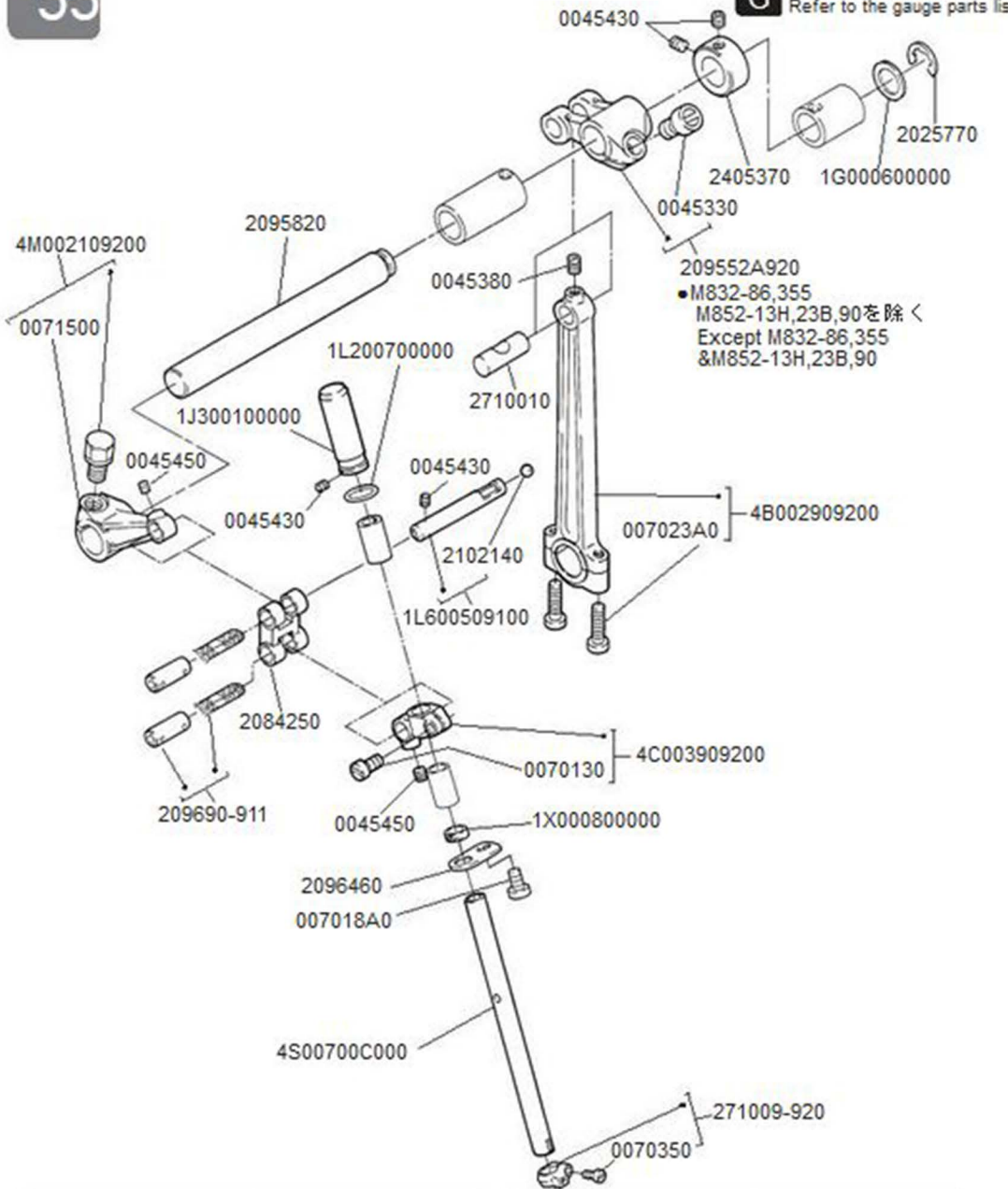
No.	Parts No.	Name
41	9C8013000009	THREADING DIAGRAM
42	9C8012000009	THREADING DIAGRAM
43	9C8017000009	THREADING DIAGRAM
44	9C8015000009	THREADING DIAGRAM
45	9C8019000009	THREADING DIAGRAM



No.	Parts No.	Name
1	007084000009	BOLT
2	209517000009	BED COVER PLATE
3	007020000009	SCREW
4	209687000019	COVER PLATE
5	004821000009	NUT
6	007023A00009	SCREW
7	270049000009	LATCH
8	007180000009	SCREW
9	240305000009	CUSHION RUBBER
10	007077000009	SCREW
11	209543000019	FRONT COVER (LEFT)
12	6G0054000009	EYE GUARD
13	6G0055000009	EYE GUARD
14	007066000009	SCREW
15	210307000009	WASHER
16	270034000029	BRACKET
17	202875000009	WASHER
18	007062000009	SCREW
19	209576-91009	CLOTH PLATE ASSY.
20	004543000009	SCREW
21	270042000009	BUSHING
22	210307000009	WASHER
23	007066000009	SCREW
24	270045000009	BRACKET
25	240305000009	CUSHION RUBBER
26	270043000019	LEVER
27	270044000009	SPRING
28	007373000009	SCREW
29	240343000009	WASHER
30	007018A00009	SCREW
31	240305000009	CUSHION RUBBER
32	270048000009	LATCH
33	007008000009	SCREW
34	201252000009	SPRING WASHER
35	007025A00009	SCREW
36	6E00160PB009	SIDE COVER
37	209571-91009	CLOTH PLATE ASSY.

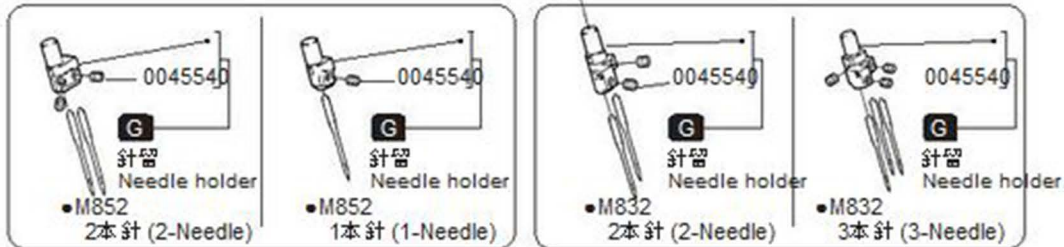


No.	Parts No.	Name
1	007044000009	SCREW
2	007020000009	SCREW
3	6G0086000009	COVER
4	007019A00009	SCREW
5	6G0085000009	COVER
6	209591-91009	BALL BEARING ASSY.
7	004514000009	SCREW
8	004572000009	SCREW
9	209671-92019	BUSHING
10	007013A00009	SCREW
11	4P0004000009	CRANKSHAFT
12	007151000009	SCREW
13	007374000009	SCREW
14	270510000009	PIN
15	007020A00009	SCREW
16	209606000009	HOUSING
17	240340000009	O RING
18	209607000009	SPACER
19	240551000009	BALL BEARING
20	204019A00009	WASHER
21	204018000009	SPRING
22	240552000009	BALL BEARING
23	1L90170D0009	WORM
24	004514000009	SCREW
25	007105000009	SCREW
26	209514-PD009	MACHINE PULLEY COVER
27	004510000009	BOLT
28	240536000009	SPACER
29	004556000009	SCREW
30	209605000009	MACHINE PULLEY
31	004541000009	SCREW
32	209481000009	FAN
33	208272000009	O RING
34	208476000019	PLUG

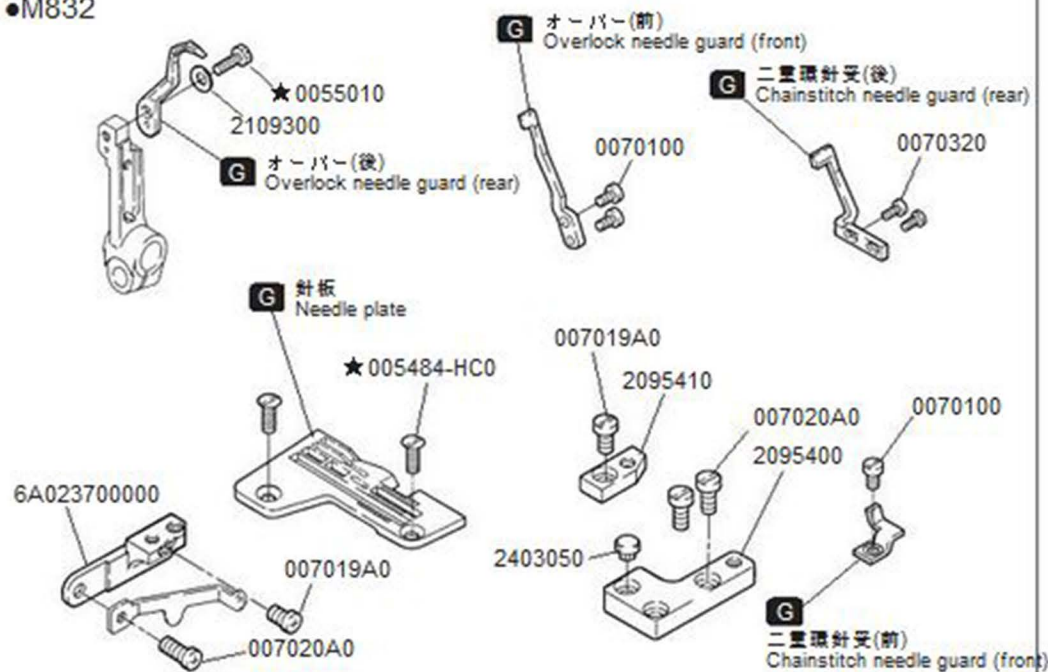


●M832-86,355
M852-13H,23B,90を除く
Except M832-86,355
&M852-13H,23B,90

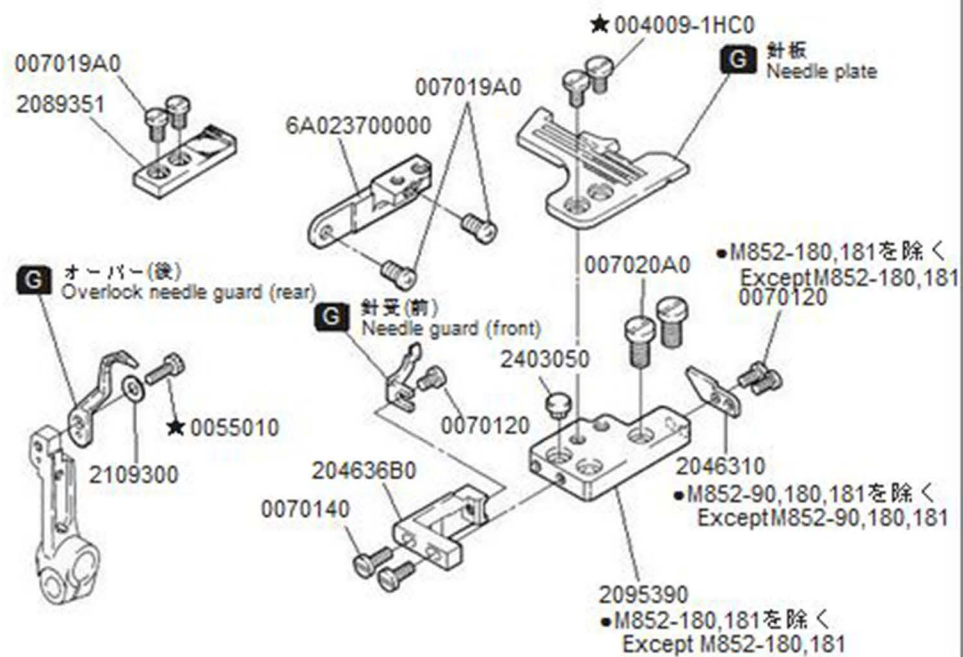
No.	Parts No.	Name
1	202577000009	RETAINING RING
2	1G0006000009	WASHER
3	004543000009	SCREW
4	240537000009	COLLAR
5	004533000009	BOLT
6	209552A92009	CRANK
7	209582000009	SHAFT
8	4M0021092009	LEVER
9	007150000009	BOLT
10	004545000009	SCREW
11	004538000009	SCREW
12	271001000009	PIN
13	480029092009	CONNECTION
14	007023A00009	SCREW
15	1J3001000009	NEEDLE BAR COVER
16	004543000009	SCREW
17	1L2007000009	O RING
18	004543000009	SCREW
19	210214000009	PLUG
20	1L6005091009	PIPE ASSY
21	208425000009	NEEDLE BAR LINK
22	209690-91019	PIN ASSY
23	4C0039092009	NEEDLE BAR CLAMP
24	007013000009	SCREW
25	004545000009	SCREW
26	1X0008000009	FELT
27	209646000009	COVER
28	007018A00009	SCREW
29	4S00700C0009	NEEDLE BAR
30	271009-92009	HOLDER
31	007035000009	SCREW
32	004554000009	SCREW
33	004554000009	SCREW
34	004554000009	SCREW
35	004554000009	SCREW



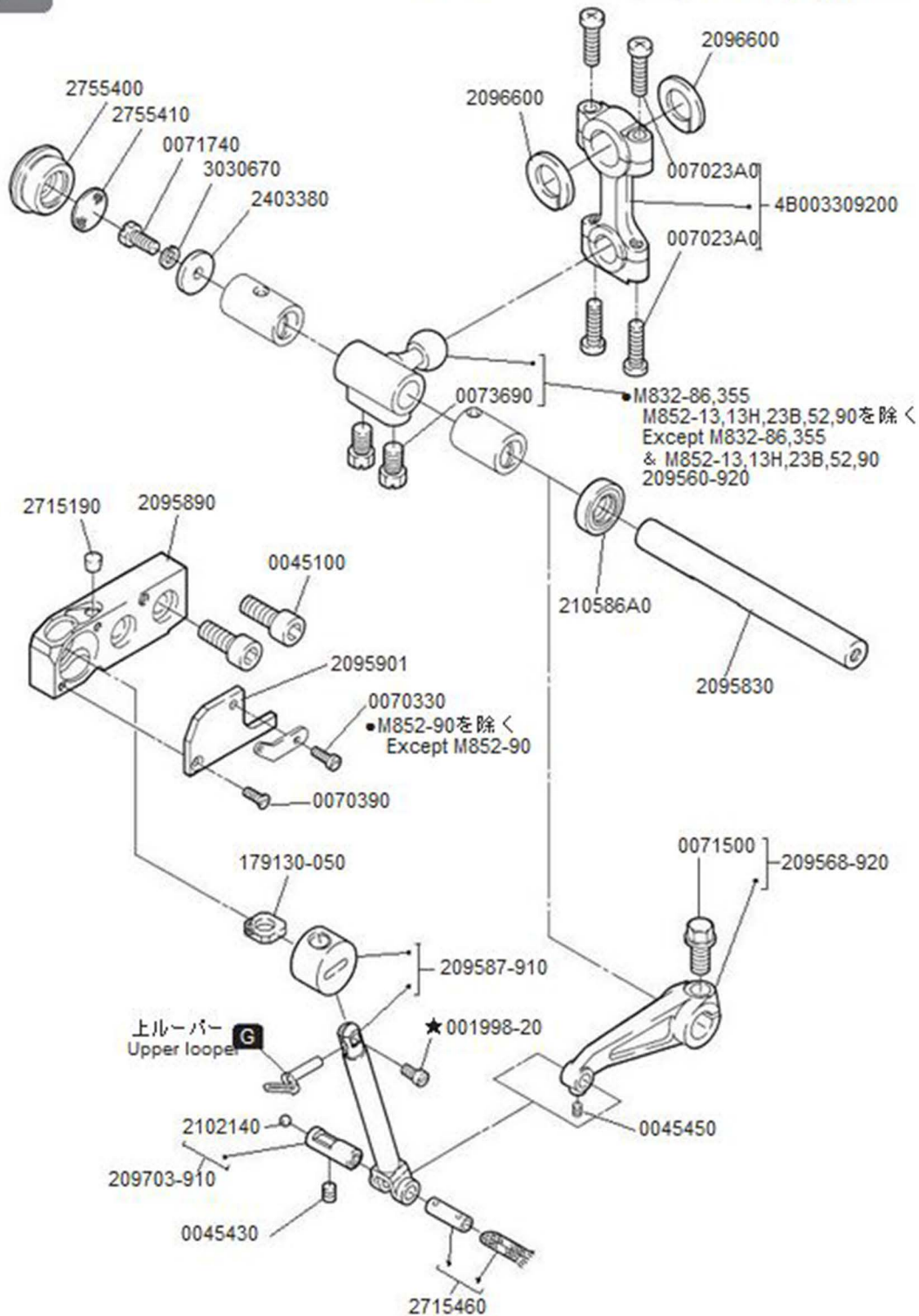
●M832



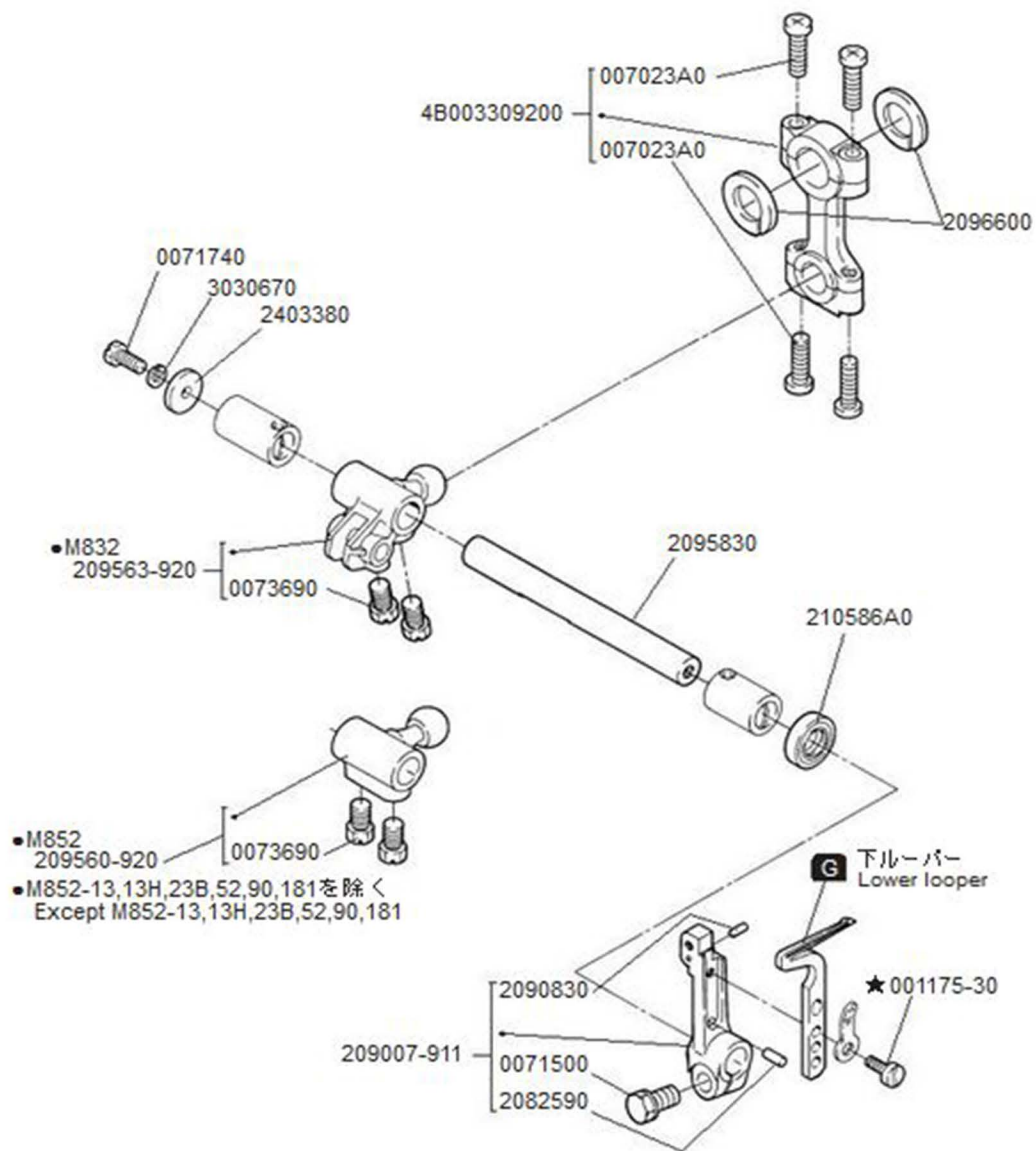
●M852



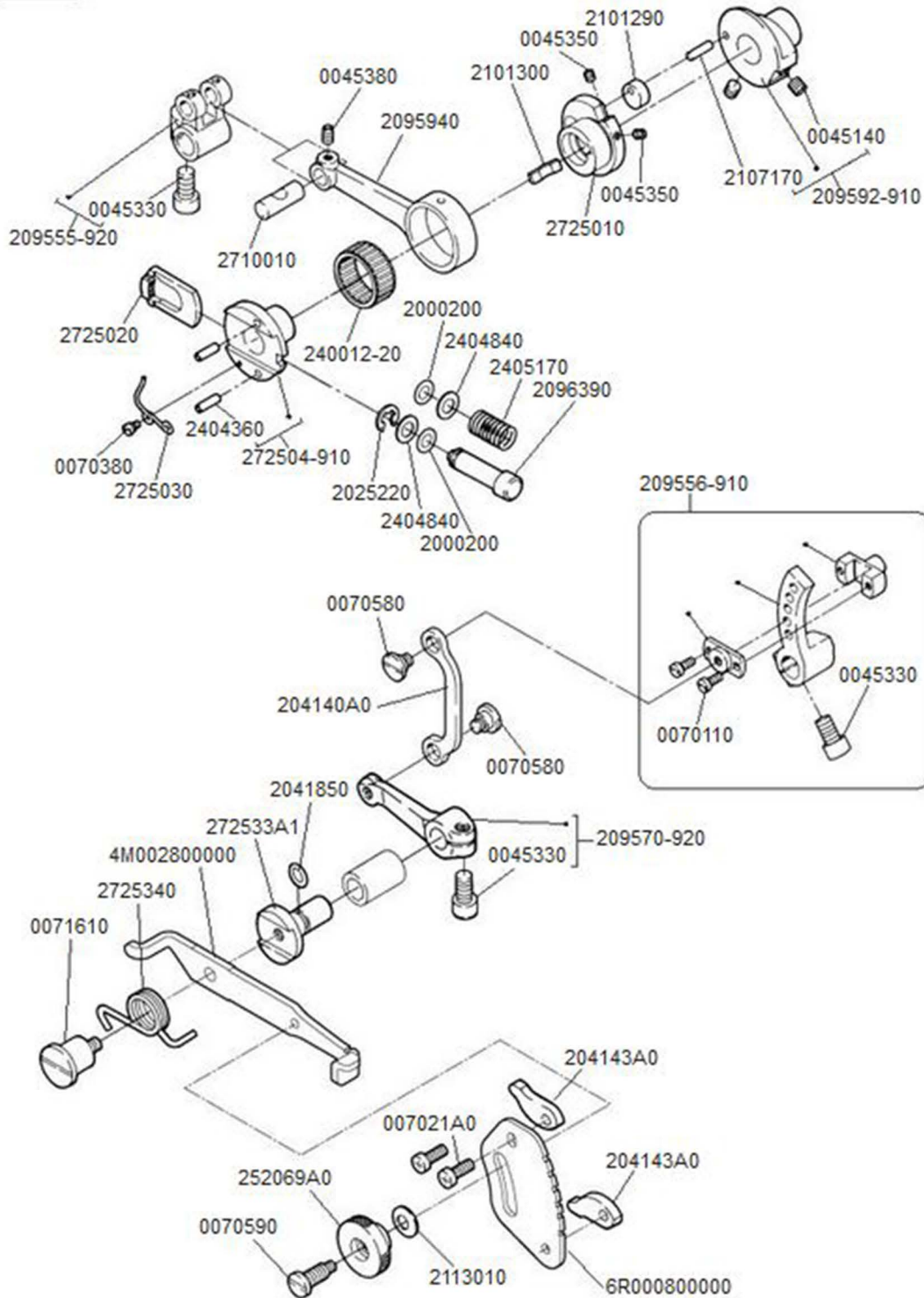
No.	Parts No.	Name
1	005501000009	BOLT
2	210930000009	SPRING
3	007010000009	SCREW
4	007032000009	SCREW
5	6A0237000009	BRACKET
6	007019A00009	SCREW
7	007020A00009	SCREW
8	005484-HC09	SCREW
9	007019A00009	SCREW
10	209541000009	BRACKET
11	007020A00009	SCREW
12	209540000009	BRACKET
13	240305000009	CUSHION RUBBER
14	007010000009	SCREW
15	007019A00009	SCREW
16	208935000019	NEEDLE PLATE GUIDE
17	6A0237000009	BRACKET
18	007019A00009	SCREW
19	004009-1HC09	SCREW
20	005501000009	BOLT
21	210930000009	SPRING
22	007012000009	SCREW
23	204631000009	GUIDE
24	007020A00009	SCREW
25	240305000009	CUSHION RUBBER
26	209539000009	BRACKET
27	007012000009	SCREW
28	204636B00009	NEEDLE GUARD BRACKET
29	007014000009	SCREW



No.	Parts No.	Name
1	209660000009	GUIDE
2	209660000009	GUIDE
3	007023A00009	SCREW
4	4B0033092009	CONNECTION
5	007023A00009	SCREW
6	275540000009	PLUG
7	275541000009	FILTER
8	007174000009	BOLT
9	303067000009	SPRING WASHER
10	240338000009	WASHER
11	007369000009	BOLT
12	209560-92009	CRANK
13	210586A00009	OIL SEAL
14	209583000009	SHAFT
15	271519000009	FILTER
16	209589000009	BASE
17	004510000009	BOLT
18	209590000019	COVER
19	007033000009	SCREW
20	007039000009	SCREW
21	179130-05009	FELT
22	209587-91009	UPPER LOOPER HOLDER ASSY.
23	001998-20009	SCREW
24	210214000009	PLUG
25	209703-91009	PIPE ASSY.
26	004543000009	SCREW
27	271546000009	PIN ASSY.
28	004545000009	SCREW
29	007150000009	BOLT
30	209568-92009	LEVER

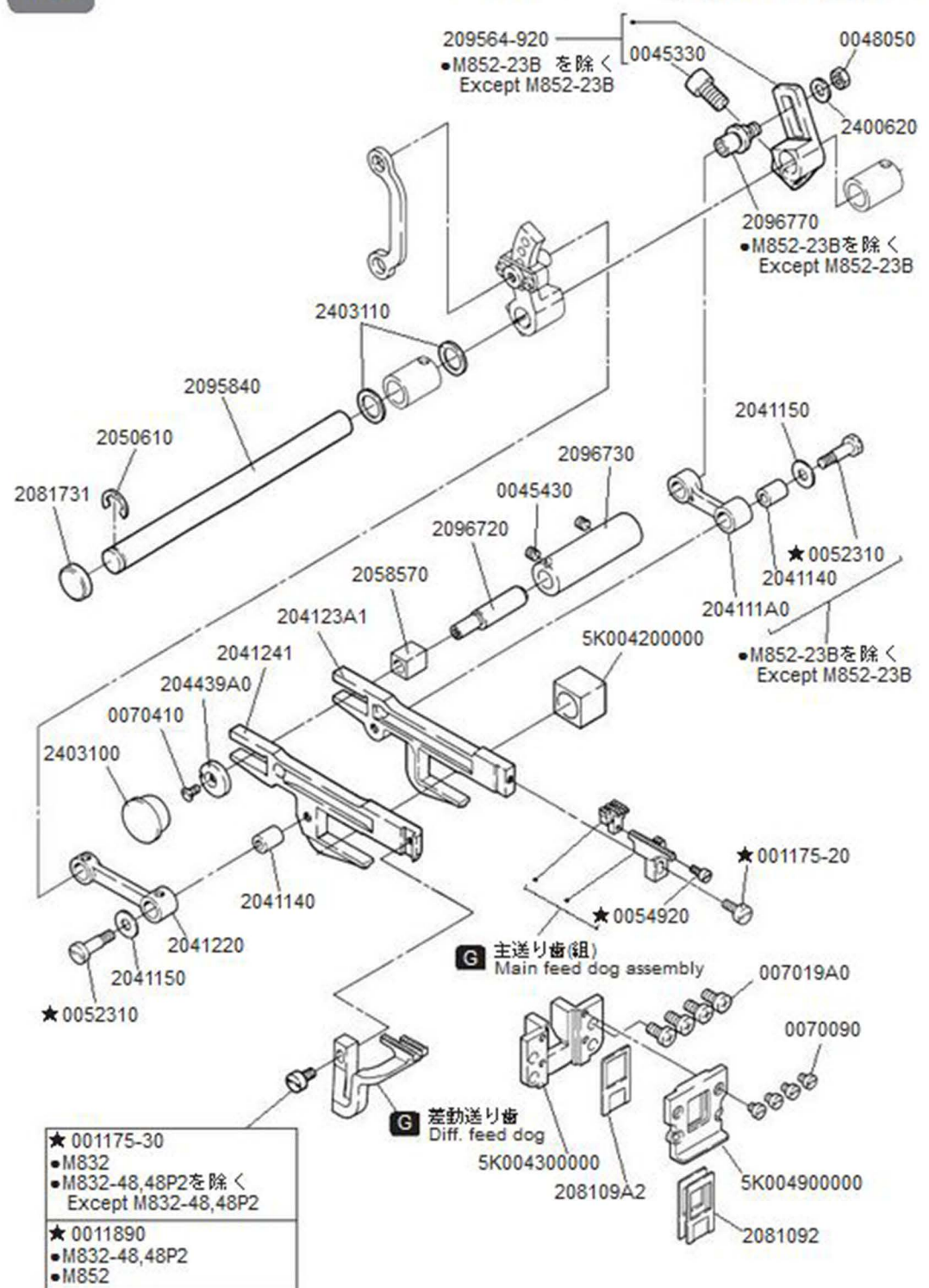


No.	Parts No.	Name
1	209660000009	GUIDE
2	007023A00009	SCREW
3	007023A00009	SCREW
4	4B0033092009	CONNECTION
5	007174000009	BOLT
6	303067000009	SPRING WASHER
7	240338000009	WASHER
8	209563-92009	CRANK
9	007369000009	BOLT
10	209583000009	SHAFT
11	210586A00009	OIL SEAL
12	001175-30009	SCREW
13	209083000009	PIN(A2X7.8)
14	007150000009	BOLT
15	208259000009	PIN
16	209007-91019	LOOPER HOLDER ASSY
17	007369000009	BOLT
18	209560-92009	CRANK

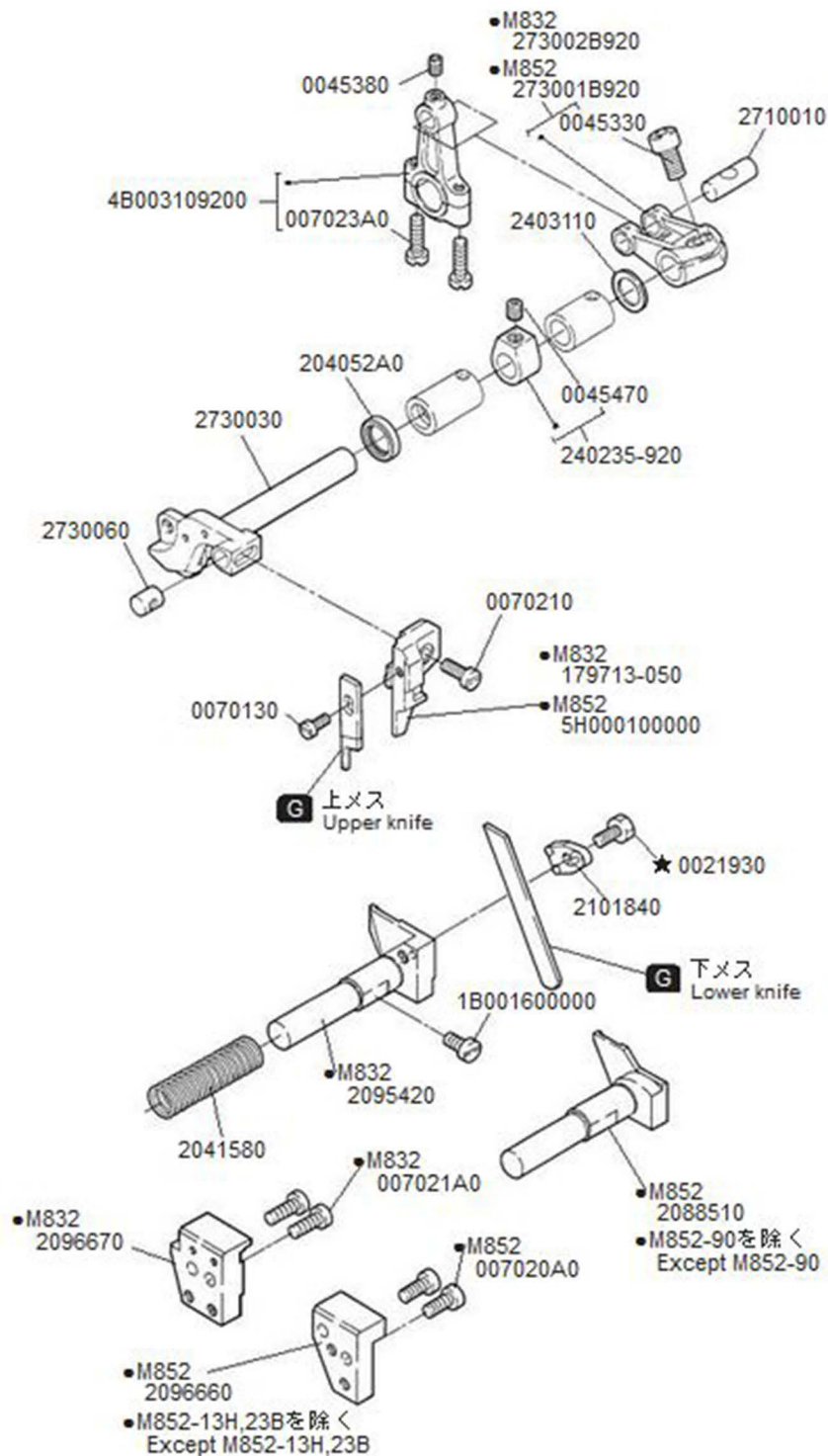


No.	Parts No.	Name
1	209592-91009	ECCENTRIC HOLDER BASE
2	004514000009	SCREW
3	210717000009	PIN
4	210129000009	GUIDE (FEED ECCENTRIC)
5	004535000009	SCREW
6	004535000009	SCREW
7	210130000009	FLAT SPRING
8	272501000009	ECCENTRIC
9	004538000009	SCREW
10	209594000009	CONNECTION
11	271001000009	PIN
12	004533000009	BOLT
13	209555-92009	CRANK
14	272502000009	RATCHET
15	240012-20009	NEEDLE BEARING
16	272504-91009	ECCENTRIC ASSY.
17	240436000009	SPRING PIN
18	007038000009	SCREW
19	272503000009	SPRING
20	200020000009	O RING
21	240484000009	WASHER
22	240517000009	SPRING
23	209639000009	PUSH BUTTON
24	202522000009	RING
25	240484000009	WASHER
26	200020000009	O RING
27	209556-91009	DIFFERENTIAL CRANKSHAFT ASSY.
28	004533000009	BOLT
29	007011000009	SCREW
30	007058000009	SCREW
31	204140A00009	LINK
32	007058000009	SCREW
33	209570-92009	LEVER
34	004533000009	BOLT
35	204185000009	O RING
36	272533A00019	SHAFT
37	4M0028000009	LEVER
38	272534000009	SPRING
39	007161000009	SCREW

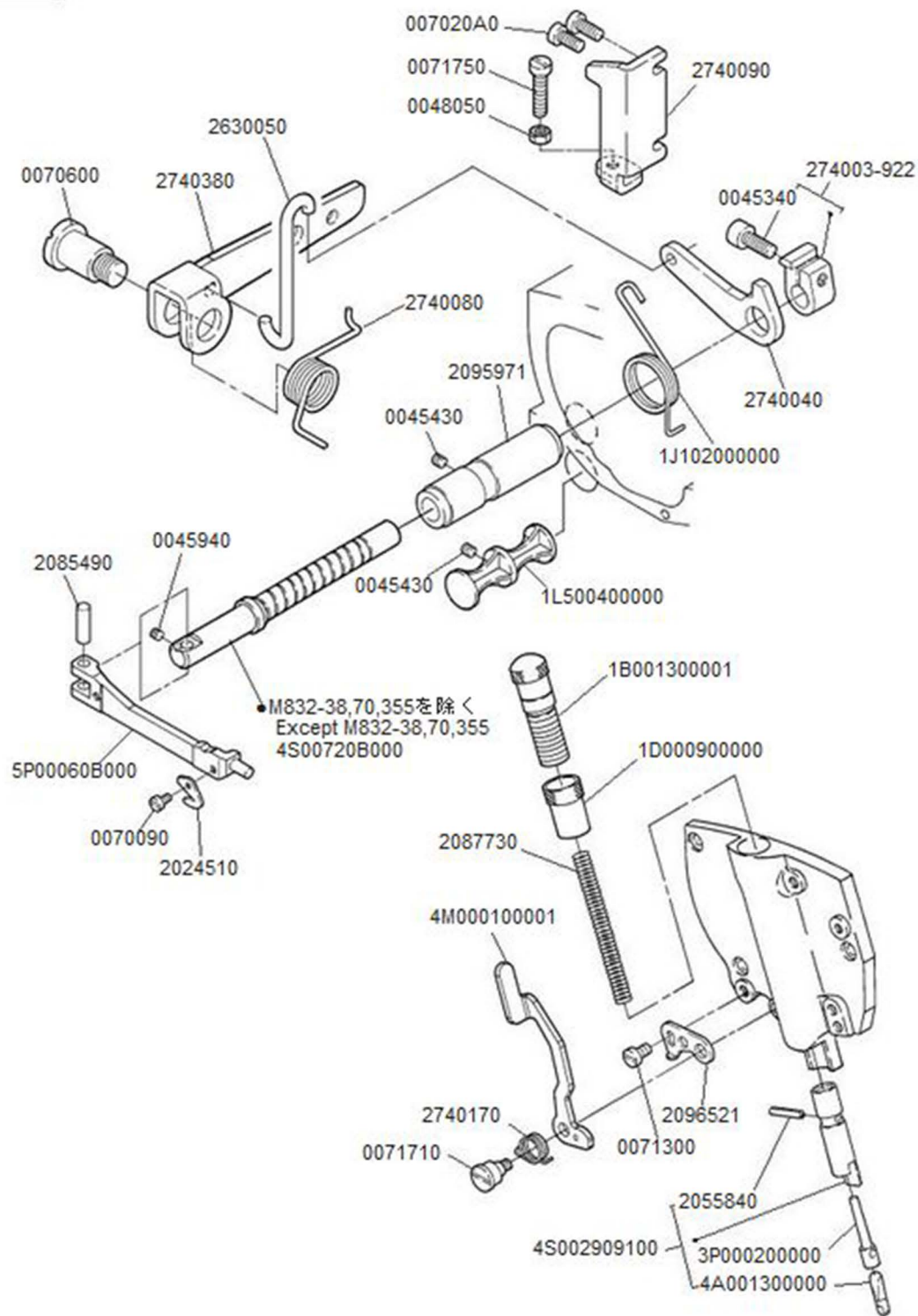
★印はインチネジです。 ★=inchi size
G ゲージパーツ表参照 Refer to the gauge parts list.



No.	Parts No.	Name
1	209564-92009	CRANK
2	004805000009	NUT
3	240062000009	WASHER
4	004533000009	BOLT
5	209677000009	CRANK PIN
6	240311000009	WASHER
7	209584000009	SHAFT
8	205061000009	RETAINING RING
9	208173000019	PLUG
10	204115000009	WASHER
11	005231000009	BOLT
12	204114000009	BUSHING
13	204111A00009	CONNECTION
14	209673000009	BUSHING
15	004543000009	SCREW
16	209672000009	ECCENTRIC PIN
17	205857000009	BLOCK /FEED BAR GUIDE
18	204123A00019	MAIN FEED BAR
19	204124000019	DIFF.FEED BAR
20	204439A00009	WASHER
21	007041000009	SCREW
22	240310000009	PLUG
23	5K0042000009	BLOCK
24	204114000009	BUSHING
25	204122000009	CONNECTION
26	204115000009	WASHER
27	005231000009	BOLT
28	001175-20009	SCREW
29	005492000009	SCREW
30	007019A00009	SCREW
31	007009000009	SCREW
32	5K0049000009	FEED BAR OIL SEAL GUIDE
33	5K0043000009	FEED BAR GUIDE
34	208109A00029	OIL SEAL
35	208109000029	OIL SEAL
36	001175-30009	SCREW
37	001189000009	SCREW



No.	Parts No.	Name
1	273002B92009	CRANK
2	273001B92009	CRANK
3	004533000009	BOLT
4	271001000009	PIN
5	004538000009	SCREW
6	007023A00009	SCREW
7	4B0031092009	CONNECTION
8	240311000009	WASHER
9	004547000009	SCREW
10	240235-92009	COLLAR
11	204052A00009	OIL SEAL
12	273003000009	UPPER KNIFE LEVER
13	273006000009	PIN
14	007021000009	SCREW
15	007013000009	SCREW
16	179713-05009	UPPER KNIFE CLAMP
17	5H0001000009	UPPER KNIFE CLAMP
18	002193000009	BOLT
19	210184000009	CLAMP /LOWER KNIFE
20	1B0016000009	SCREW
21	209542000009	LOWER KNIFE HOLDER
22	204158000009	SPRING
23	208851000009	LOWER KNIFE HOLDER
24	007021A00009	SCREW
25	209667000009	BRACKET
26	007020A00009	SCREW
27	209666000009	BRACKET

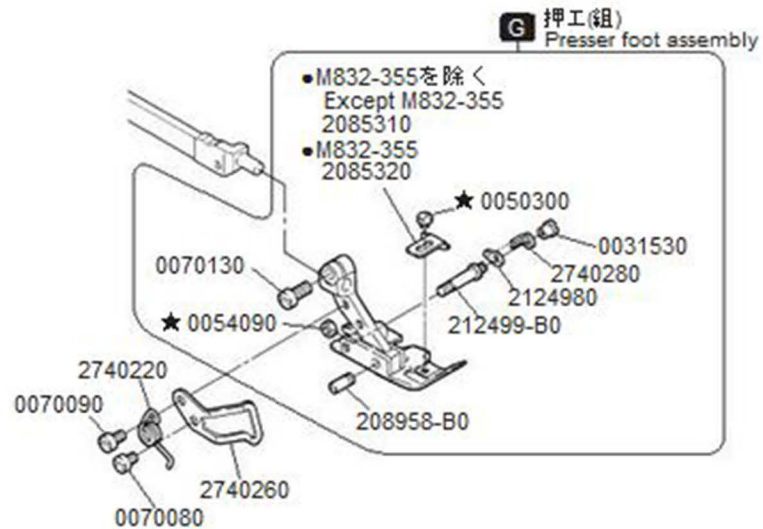


No.	Parts No.	Name
1	274009000009	STOPPER
2	007020A00009	SCREW
3	007175000009	SCREW
4	004805000009	NUT
5	263005000009	LINK
6	274038000009	LEVER
7	007060000009	SCREW
8	274008000009	SPRING
9	274003-92029	COLLAR
10	004534000009	BOLT
11	274004000009	LEVER
12	1J1020000009	SPRING
13	209597000019	BUSHING
14	004543000009	SCREW
15	1L5004000009	PLUG
16	004543000009	SCREW
17	004594000009	SCREW
18	4S00720B0009	PRESSER ARM SHAFT
19	208549000009	PIN
20	5P00060B0009	PRESSER ARM
21	007009000009	SCREW
22	202451000009	CHAIN CUTTER
23	1B0013000019	SCREW STUD
24	1D0009000009	NUT
25	208773000009	SPRING
26	4M0001000019	LEVER
27	274017000009	SPRING
28	007171000009	SCREW
29	007130000009	SCREW
30	209652000019	STOPPER
31	4S0029091009	PRESSER BAR ASSY.
32	205584000009	SPRING PIN
33	3P0002000009	HOLDER
34	4A0013000009	PIN

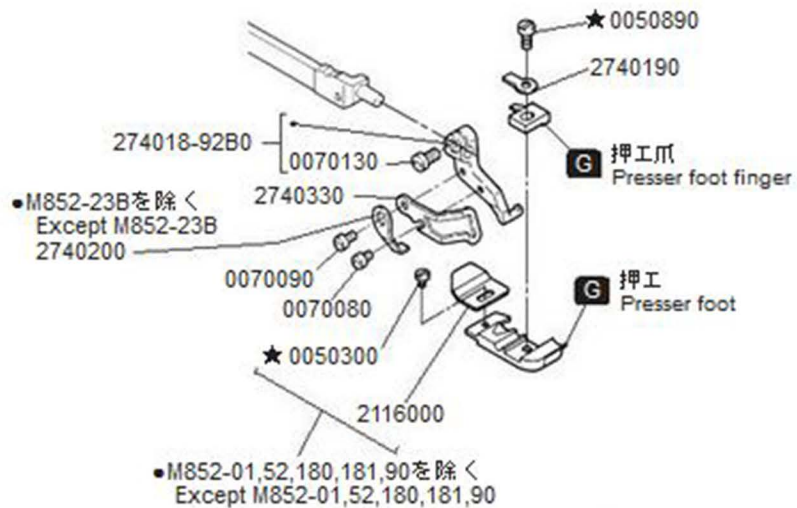
★印はインチネジです。 G ゲージパーツ表参照。
★=inch size Refer to the gauge parts list.

●M832

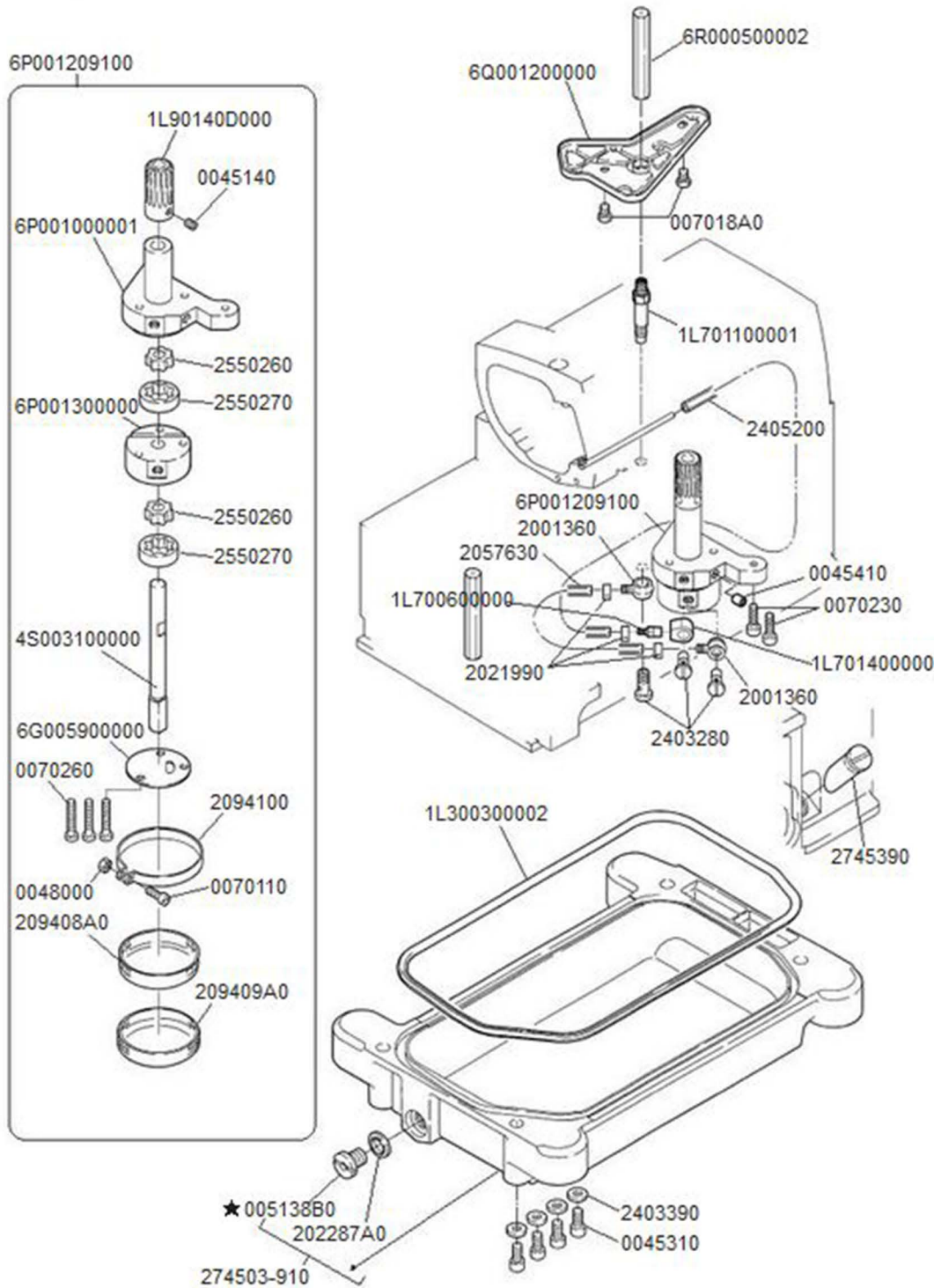
M832-48,48P2,86を除く
Except M832-48,48P2,86



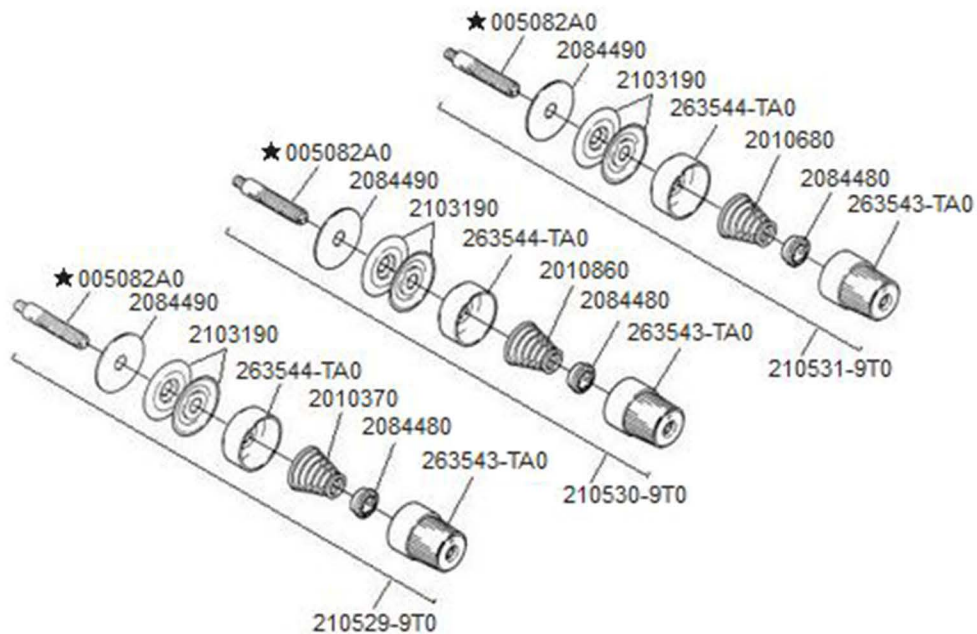
●M852



No.	Parts No.	Name
1	208531000009	FABRIC GUIDE
2	208532000009	FABRIC GUIDE
3	005030000009	SCREW
4	003153000009	NUT
5	274028000009	SPRING
6	212498000009	LATCH
7	212499-B0009	PIN
8	007013000009	SCREW
9	005409000009	NUT
10	208958-B0009	PIN
11	274022000009	SPRING
12	274026000009	FINGER GUARD
13	007009000009	SCREW
14	007008000009	SCREW
15	005089000009	SCREW
16	274019000009	FLAT SPRING
17	274018-92B09	HOLDER
18	007013000009	SCREW
19	274033000009	FINGER GUARD
20	274020000009	STOPPER
21	007009000009	SCREW
22	007008000009	SCREW
23	005030000009	SCREW
24	211600000009	UNCURLER

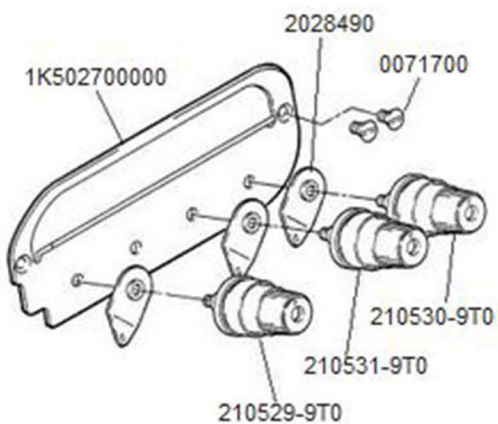


No.	Parts No.	Name
1	6R0005000029	OIL SPLASH PIPE
2	007018A00009	SCREW
3	1L7011000019	JOINT
4	240520000009	TUBE
5	6P0012091009	PUMP ASSY
6	200136000009	JOINT
7	205763000009	TUBE
8	202199000009	CLAMP
9	004541000009	SCREW
10	007023000009	SCREW
11	1L7014000009	JOINT
12	200136000009	JOINT
13	240328000009	JOINT SCREW
14	274539000009	OIL LEVEL GAUGE
15	1L3003000029	RUBBER RING
16	240339000009	WASHER
17	004531000009	BOLT
18	005138B00009	SCREW
19	202287A00009	WASHER
20	274503-91009	OIL RESERVOIR ASSY
21	004514000009	SCREW
22	004800000009	NUT
23	007011000009	SCREW
24	007026000009	SCREW
25	209410000009	CLAMP
26	255026000009	ROTOR◆(B)
27	255026000009	ROTOR◆(B)
28	255027000009	ROTOR◆(C)
29	255027000009	ROTOR◆(C)
30	1L7006000009	JOINT
31	1L90140D0009	WORM◆WHEEL
32	209408A00009	FILTER
33	209409A00009	FILTER
34	4S0031000009	SHAFT
35	6G0059000009	COVER
36	6P0010000019	PUMP◆(UPPER)
37	6P0012091009	PUMP◆ASSY.
38	6P0013000009	PUMP◆(LOWER)



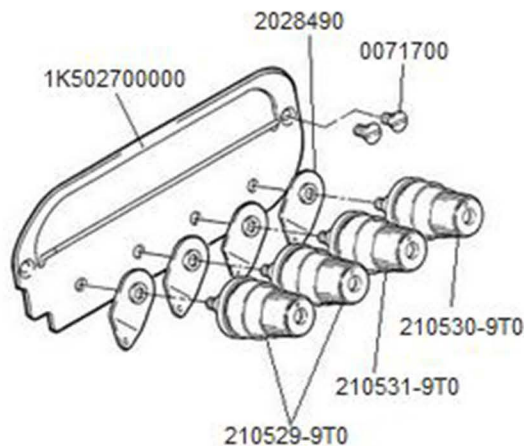
●M852

M852-13, 13H, 52, 90, 181を除く
Except M852-13, 13H, 52, 90, 181

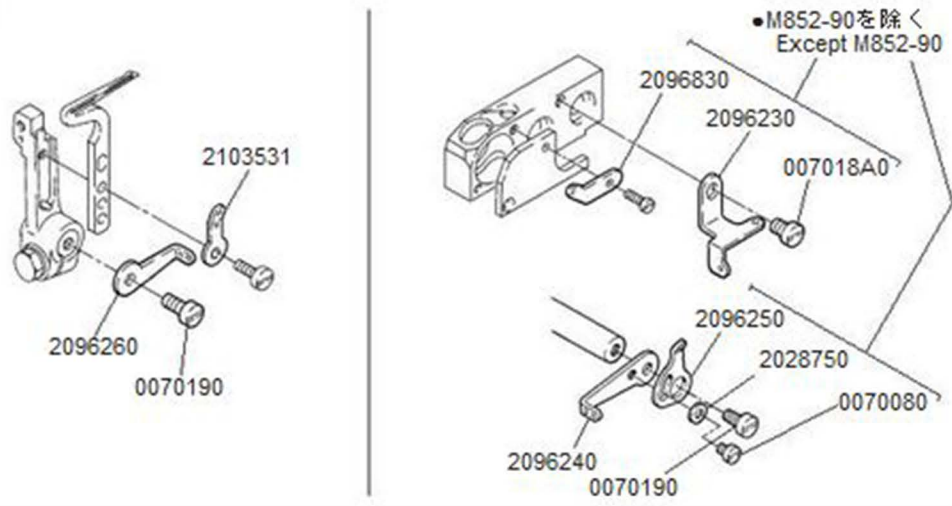


●M832

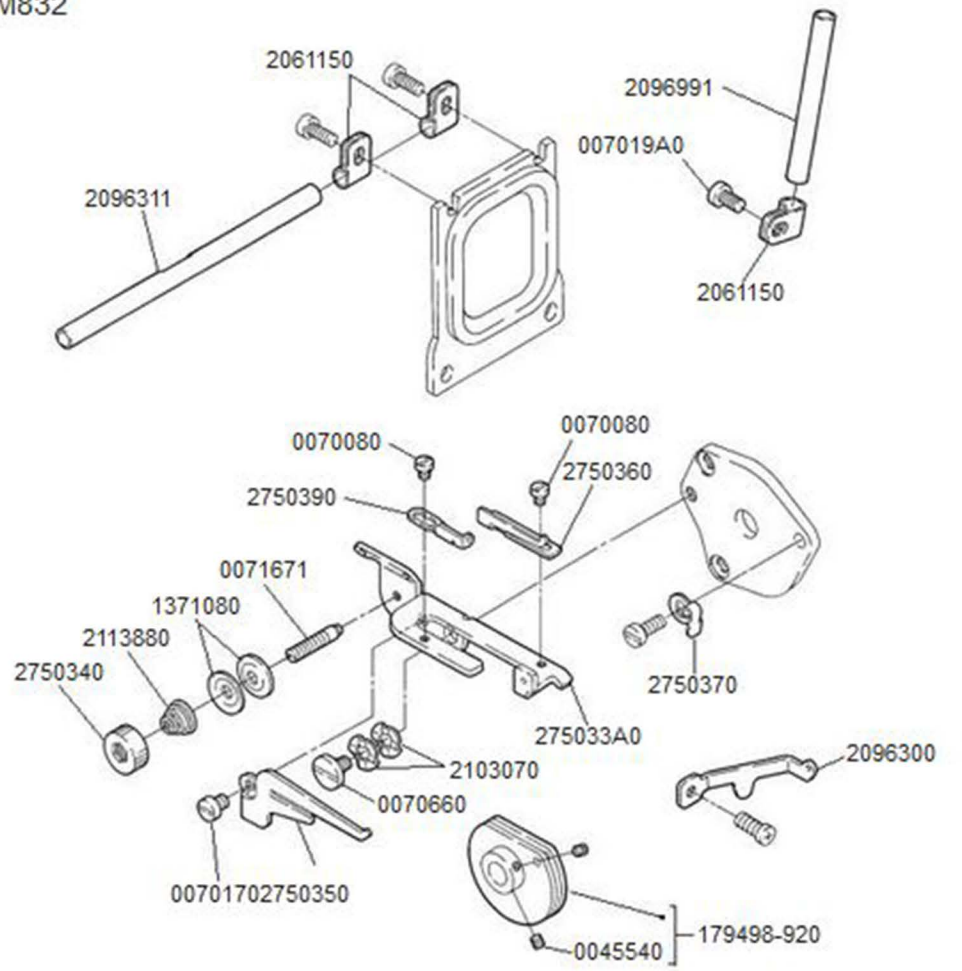
M832-355を除く
Except M832-355



No.	Parts No.	Name
1	005082A00009	SCREW STUD
2	208449000009	FELT
3	210319000009	TENSION DISC
4	263544-TA009	SPRING SHIELD
5	201068000009	SPRING (LIGHT)
6	208448000009	RATCHET
7	263543-TA009	KNOB
8	210531-9T009	TENSION SPRING ASSY.
9	005082A00009	SCREW STUD
10	208449000009	FELT
11	210319000009	TENSION DISC
12	263544-TA009	SPRING SHIELD
13	201086000009	SPRING (MEDIUM)
14	208448000009	RATCHET
15	263543-TA009	KNOB
16	210530-9T009	TENSION SPRING ASSY.
17	005082A00009	SCREW STUD
18	208449000009	FELT
19	210319000009	TENSION DISC
20	263544-TA009	SPRING SHIELD
21	201037000009	SPRING (HEAVY)
22	208448000009	RATCHET
23	263543-TA009	KNOB
24	210529-9T009	TENSION SPRING ASSY.
25	1K5027000009	THREAD GUIDE
26	007170000009	SCREW
27	202849000009	TENSION GUIDE
28	210530-9T009	TENSION SPRING ASSY.
29	210531-9T009	TENSION SPRING ASSY.
30	210529-9T009	TENSION SPRING ASSY.
31	1K5027000009	THREAD GUIDE
32	007170000009	SCREW
33	202849000009	TENSION GUIDE
34	210530-9T009	TENSION SPRING ASSY.
35	210531-9T009	TENSION SPRING ASSY.
36	210529-9T009	TENSION SPRING ASSY.

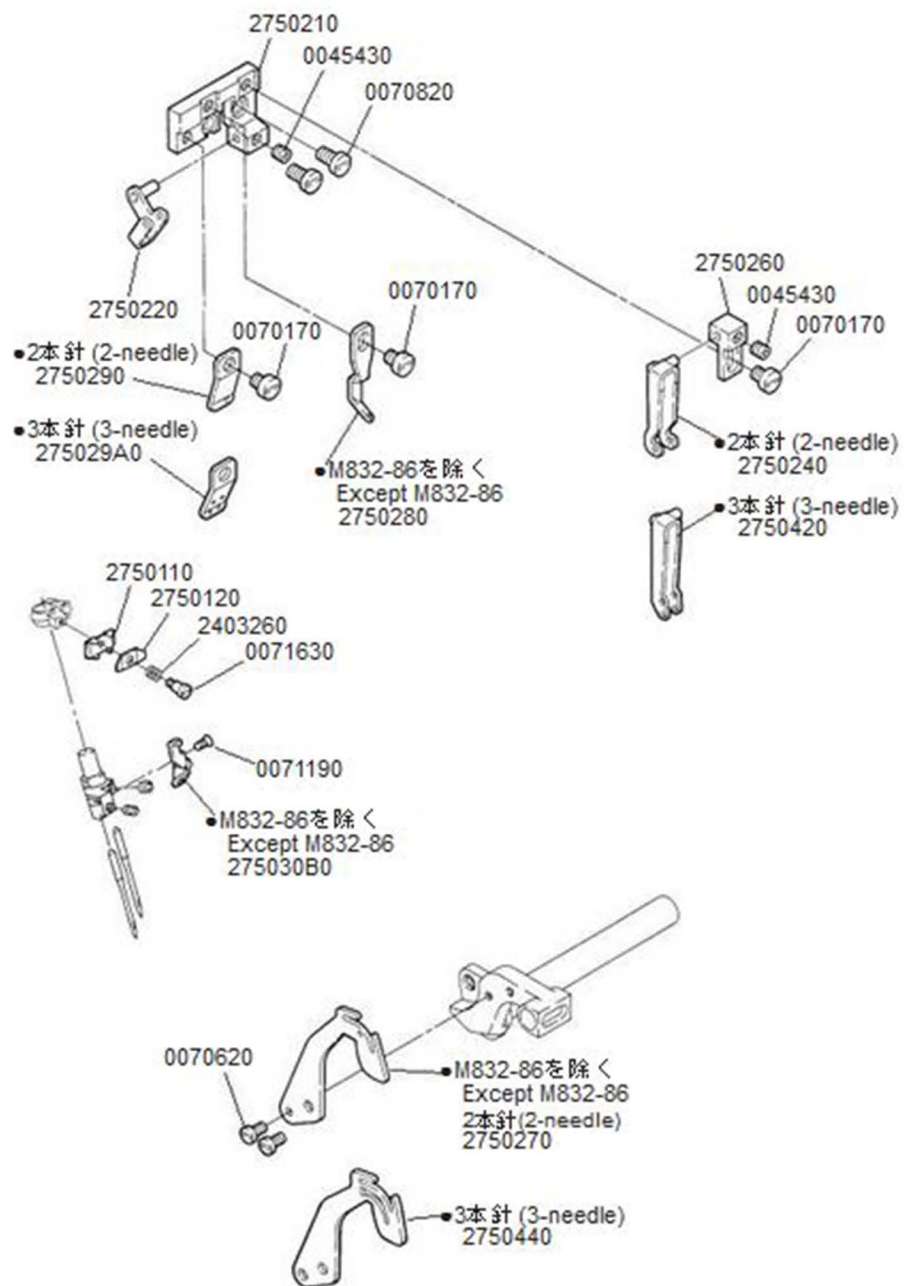


●M832



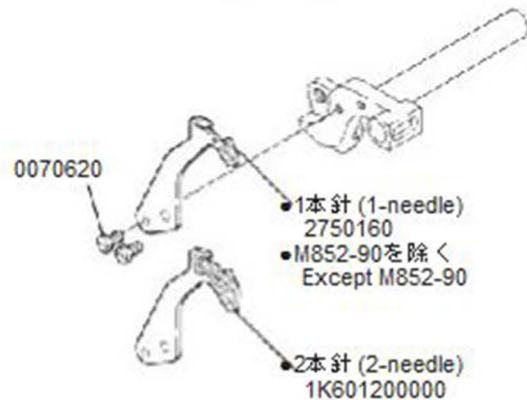
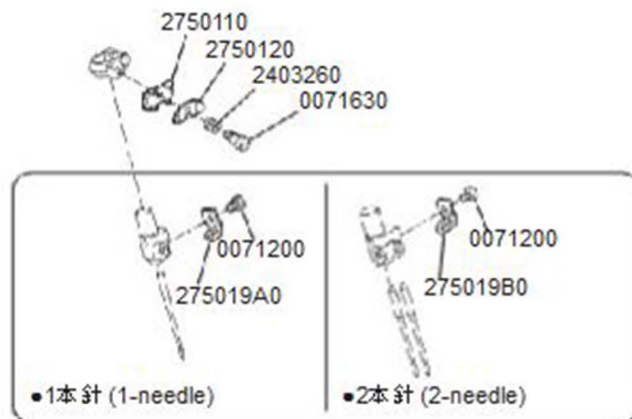
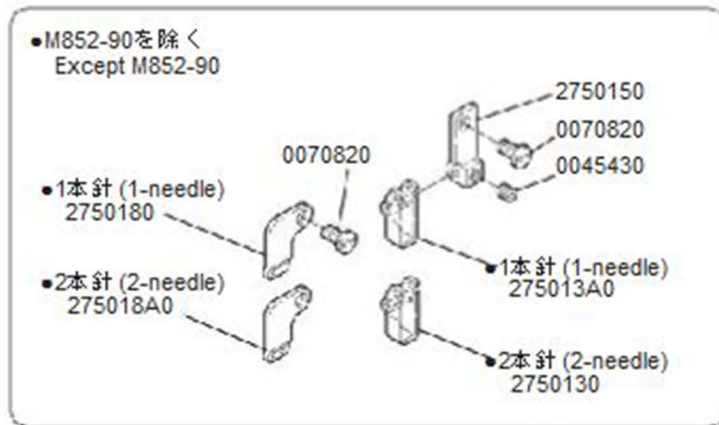
No.	Parts No.	Name
1	210353000019	THREAD GUIDE
2	209626000009	THREAD TAKE-UP
3	007019000009	SCREW
4	209683000009	THREAD GUIDE
5	209623000009	THREAD GUIDE
6	007018A00009	SCREW
7	209625000009	THREAD TAKE-UP
8	202875000009	WASHER
9	007008000009	SCREW
10	209624000009	THREAD TAKE-UP
11	007019000009	SCREW
12	209699000019	THREAD PIPE
13	007019A00009	SCREW
14	206115000009	BRACKET
15	206115000009	BRACKET
16	209631000019	THREAD PIPE
17	275037000009	FLAT SPRING
18	007008000009	SCREW
19	275036000009	THREAD GUIDE
20	275033A00009	THREAD GUIDE
21	007008000009	SCREW
22	275039000009	THREAD GUIDE
23	007167000019	SCREW
24	137108000009	THREAD RETAINER
25	211388000009	SPRING
26	275034000009	KNOB
27	210307000009	WASHER
28	007066000009	SCREW
29	275035000009	THREAD GUIDE
30	007017000009	SCREW
31	209630000009	THREAD GUIDE
32	179498-92009	LOOPER THREAD TAKE-UP ASSY.
33	004554000009	SCREW

●M832



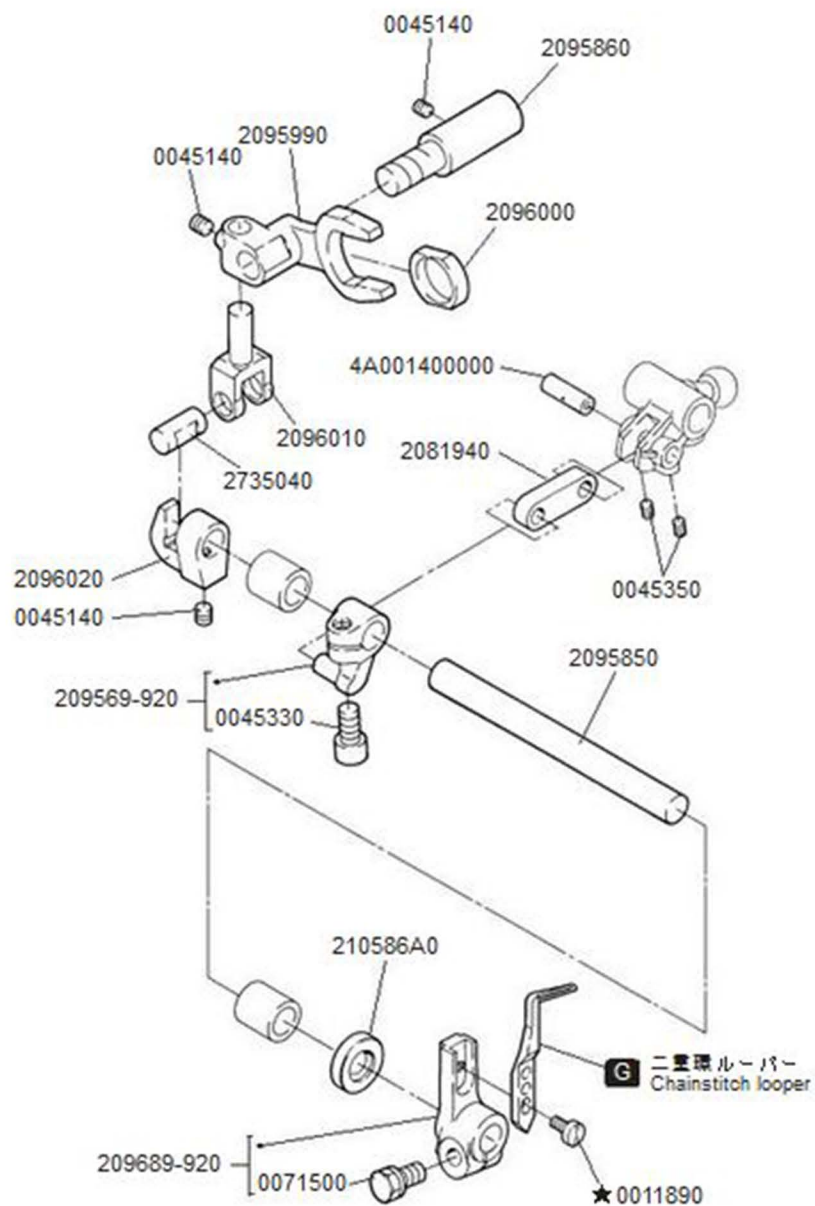
No.	Parts No.	Name
1	275021000009	BRACKET
2	004543000009	SCREW
3	007082000009	SCREW
4	275026000009	BRACKET
5	004543000009	SCREW
6	007017000009	SCREW
7	275024000009	THREAD GUIDE
8	275042000009	THREAD GUIDE
9	275022000009	THREAD GUIDE
10	007017000009	SCREW
11	007017000009	SCREW
12	275028000009	THREAD GUIDE
13	275029000009	THREAD GUIDE
14	275029A00009	THREAD GUIDE
15	275011000009	THREAD RETAINER BRACKET
16	275012000009	THREAD RETAINER
17	240326000009	SPRING
18	007163000009	SCREW
19	007119000009	SCREW
20	275030B00009	THREAD GUIDE
21	007062000009	SCREW
22	275027000009	NEEDLE THREAD TAKE-UP
23	275044000009	NEEDLE THREAD TAKE-UP

●M852



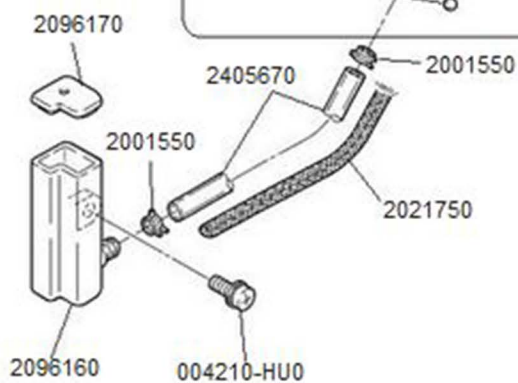
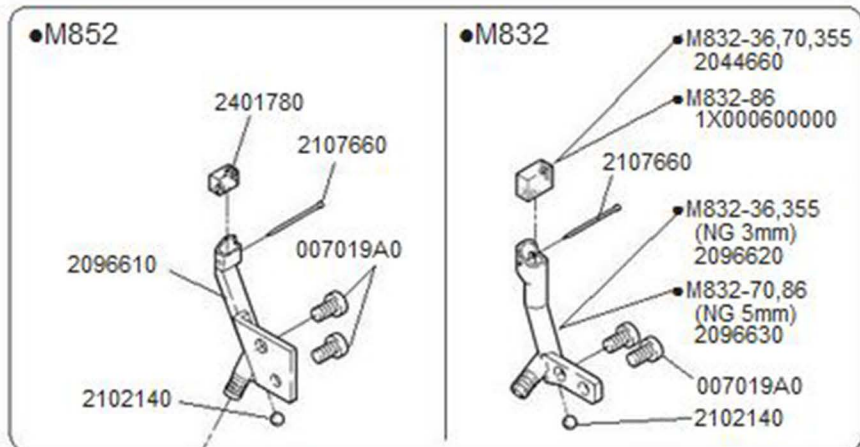
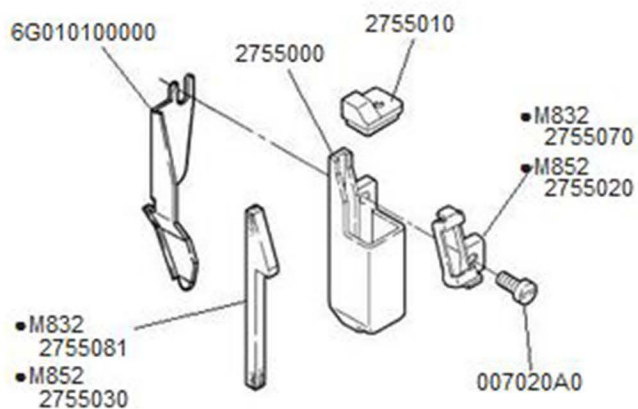
No.	Parts No.	Name
1	275015000009	BRACKET
2	007082000009	SCREW
3	004543000009	SCREW
4	275013A00009	THREAD GUIDE
5	275013000009	THREAD GUIDE
6	007082000009	SCREW
7	275018000009	THREAD GUIDE
8	275018A00009	THREAD GUIDE
9	275011000009	THREAD RETAINER BRACKET
10	275012000009	THREAD RETAINER
11	240326000009	SPRING
12	007163000009	SCREW
13	007120000009	SCREW
14	275019B00009	THREAD GUIDE
15	007120000009	SCREW
16	275019A00009	THREAD GUIDE
17	007062000009	SCREW
18	275016000009	NEEDLE THREAD TAKE-UP
19	1K6012000009	NEEDLE THREAD TAKE-UP

●M832



No.	Parts No.	Name
1	209586000009	SHAFT
2	004514000009	SCREW
3	209599000009	CONNECTION
4	209600000009	BLOCK
5	004514000009	SCREW
6	209601000009	PIN
7	273504000009	SHAFT
8	209602000009	HOLDER
9	004514000009	SCREW
10	4A0014000009	PIN
11	208194000009	LINK
12	004535000009	SCREW
13	209569-92009	CRANK
14	004533000009	BOLT
15	209585000009	SHAFT
16	210586A00009	OIL SEAL
17	001189000009	SCREW
18	007150000009	BOLT
19	209689-92009	LOOPER HOLDER

- M852-90を除く
Except M852-90



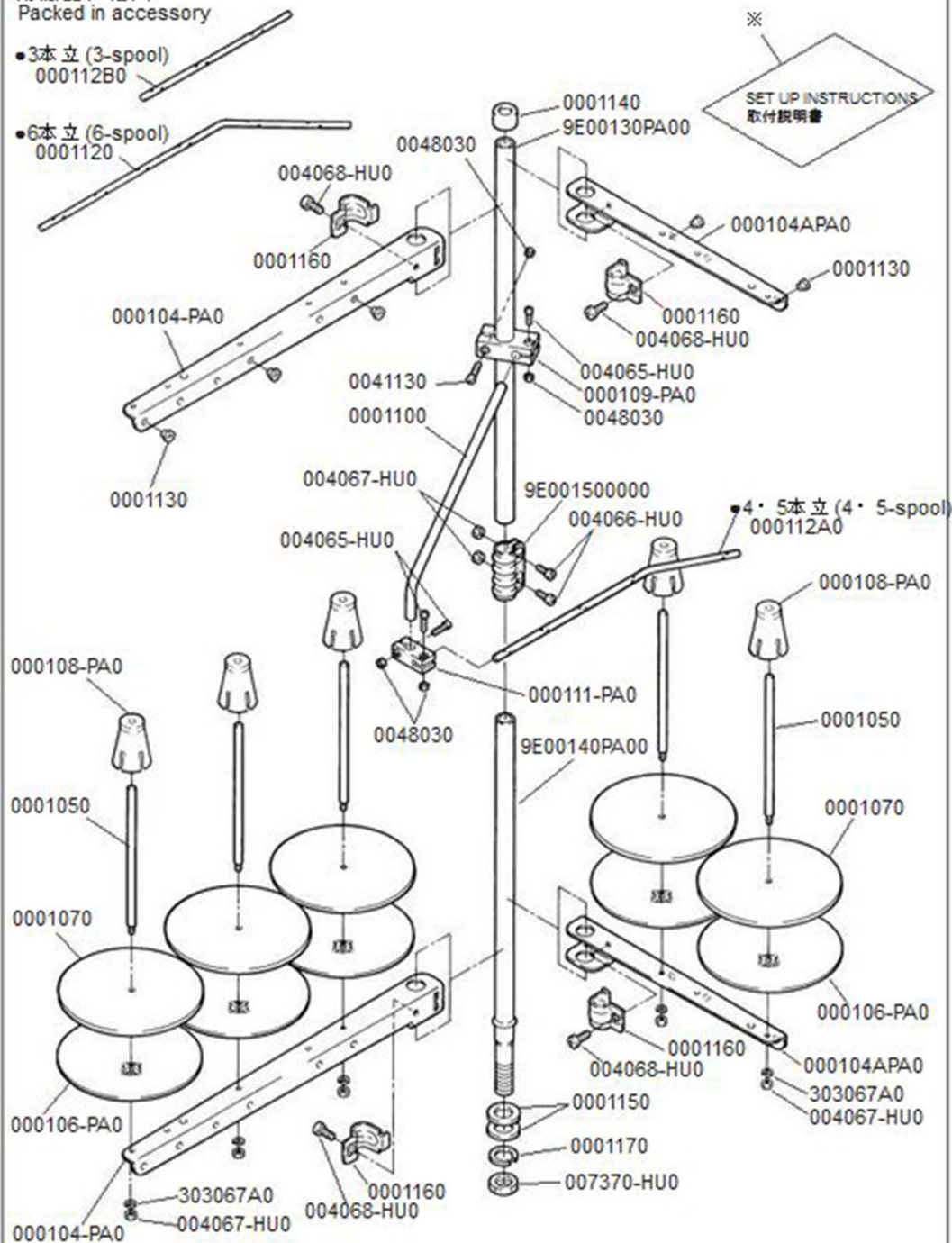
No.	Parts No.	Name
1	6G0101000009	COVER
2	275501000009	COVER
3	275500000009	SILICONE OIL RESERVOIR
4	275507000009	THREAD GUIDE
5	275502000009	THREAD GUIDE
6	007020A00009	SCREW
7	275508000019	FELT
8	275503000009	FELT
9	240178000009	FELT
10	210766000009	PIN
11	209661000009	NEEDLE THREAD LUBRICATION
12	007019A00009	SCREW
13	210214000009	PLUG
14	200155000009	CLAMP
15	240567000009	TUBE
16	202175000009	OIL WICK
17	209617000009	COVER
18	200155000009	CLAMP
19	209616000009	TANK
20	004210-HU009	SCREW
21	204466000009	OIL FELT
22	1X0006000009	FELT
23	210766000009	PIN
24	209662000009	NEEDLE THREAD LUBRICATION
25	209663000009	NEEDLE THREAD LUBRICATION
26	007019A00009	SCREW
27	210214000009	PLUG

●3本立 (3-spool) 9E0012C9P00 ●4本立 (4-spool) 9E0012B9P00
●5本立 (5-spool) 9E0012A9P00 ●6本立 (6-spool) 9E001209P00

附属品に梱入
Packed in accessory

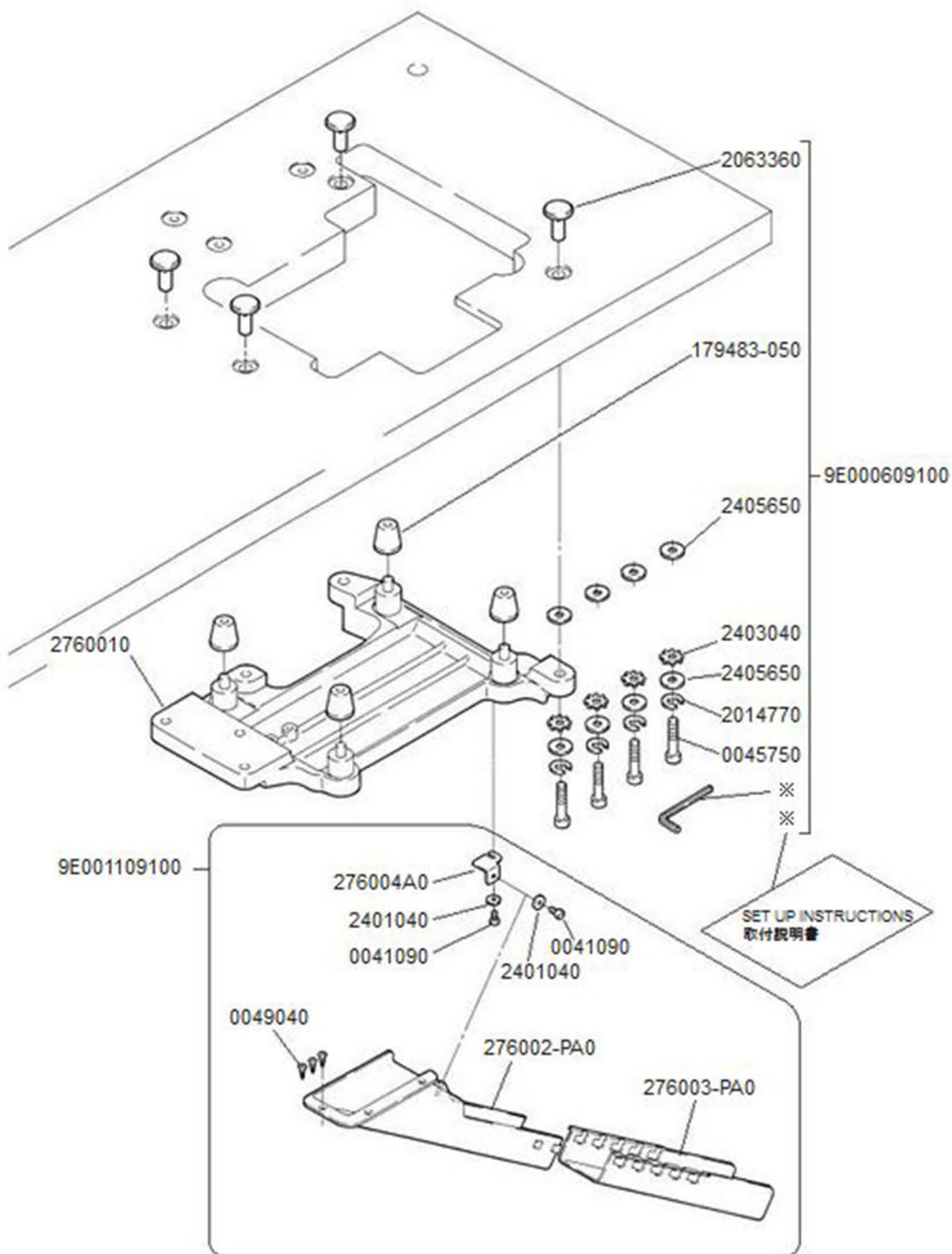
●3本立 (3-spool)
000112B0

●6本立 (6-spool)
0001120



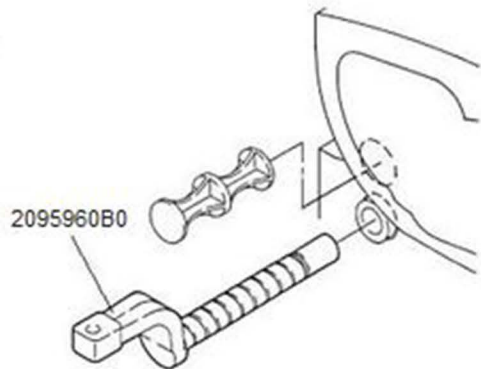
No.	Parts No.	Name
1	9E001209P009	THREAD STAND (6-SPOOL)
2	9E0012A9P009	THREAD STAND (5-SPOOL)
3	9E0012B9P009	THREAD STAND (4-SPOOL)
4	9E0012C9P009	THREAD STAND (3-SPOOL)
5	9E00130PA009	COLUMN PIPE (UPPER)
6	9E00140PA009	COLUMN PIPE (LOWER)
7	9E0015000009	JOINT
8	004066-HU009	SCREW
9	004067-HU009	NUT
10	000104APA009	BRACKET (2-SPOOL)
11	000104-PA009	BRACKET (3-SPOOL)
12	000116000009	HOLDER
13	000116000009	HOLDER
14	004068-HU009	SCREW
15	000105000009	SPOOL PIN
16	004068-HU009	SCREW
17	000105000009	SPOOL PIN
18	303067A00009	SPRING WASHER
19	004067-HU009	NUT
20	303067A00009	SPRING WASHER
21	000106-PA009	SPRING SHIELD
22	000107000009	CUSHON
23	000106-PA009	SPRING SHIELD
24	000107000009	CUSHON
25	000108-PA009	SPOOL RETAINING FIN
26	000108-PA009	SPOOL RETAINING FIN
27	000109-PA009	BRACKET
28	004113000009	SCREW
29	004803000009	NUT
30	000110000009	THREAD GUIDE BAR
31	004065-HU009	SCREW
32	004803000009	NUT
33	000111-PA009	BRACKET
34	004065-HU009	SCREW
35	004803000009	NUT
36	000112000009	THREAD GUIDE BAR
37	000112A00009	THREAD GUIDE BAR (5-SPOOL)
38	000112B00009	THREAD GUIDE BAR (3-SPOOL)

付属品に梱入
Packed in accessory

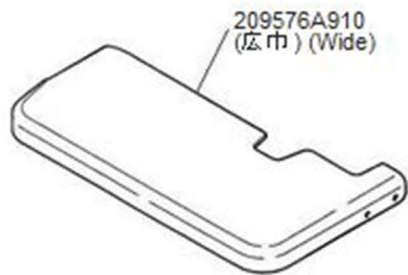


No.	Parts No.	Name
1	206336000009	NUT
2	179483-05009	CUSHION RUBBER
3	240565000009	WASHER
4	276001000009	REST BOARD
5	240304000009	WASHER
6	240565000009	WASHER
7	201477000009	SPRING WASHER
8	004575000009	BOLT
9	9E0006091009	BOLT COMPLETE
10	9E0011091009	WASTE CHUTE COMPLETE
11	276004A000009	BRACKET
12	240104000009	WASHER
13	004109000009	SCREW
14	004109000009	SCREW
15	240104000009	WASHER
16	004904000009	SCREW
17	276002-PA009	WASTE CHUTE (TOP)
18	276003-PA009	WASTE CHUTE (LOWER)

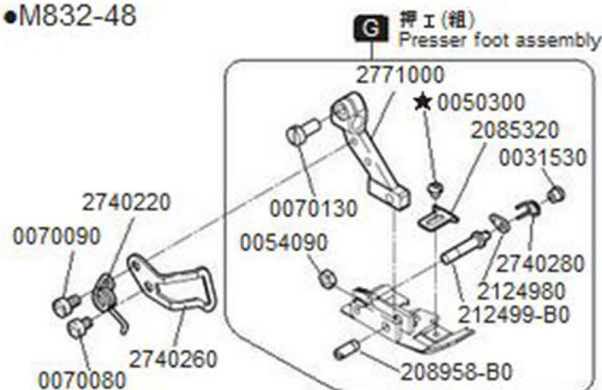
●M832-38,70,355



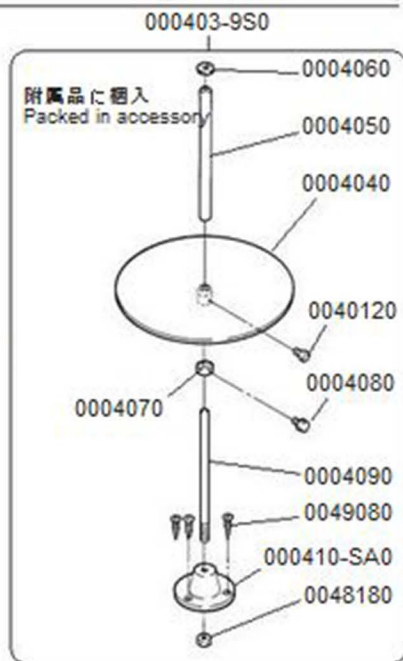
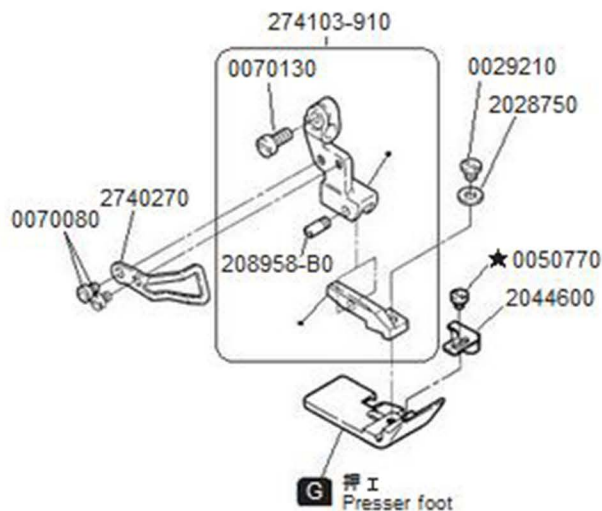
●M832-48,48P2



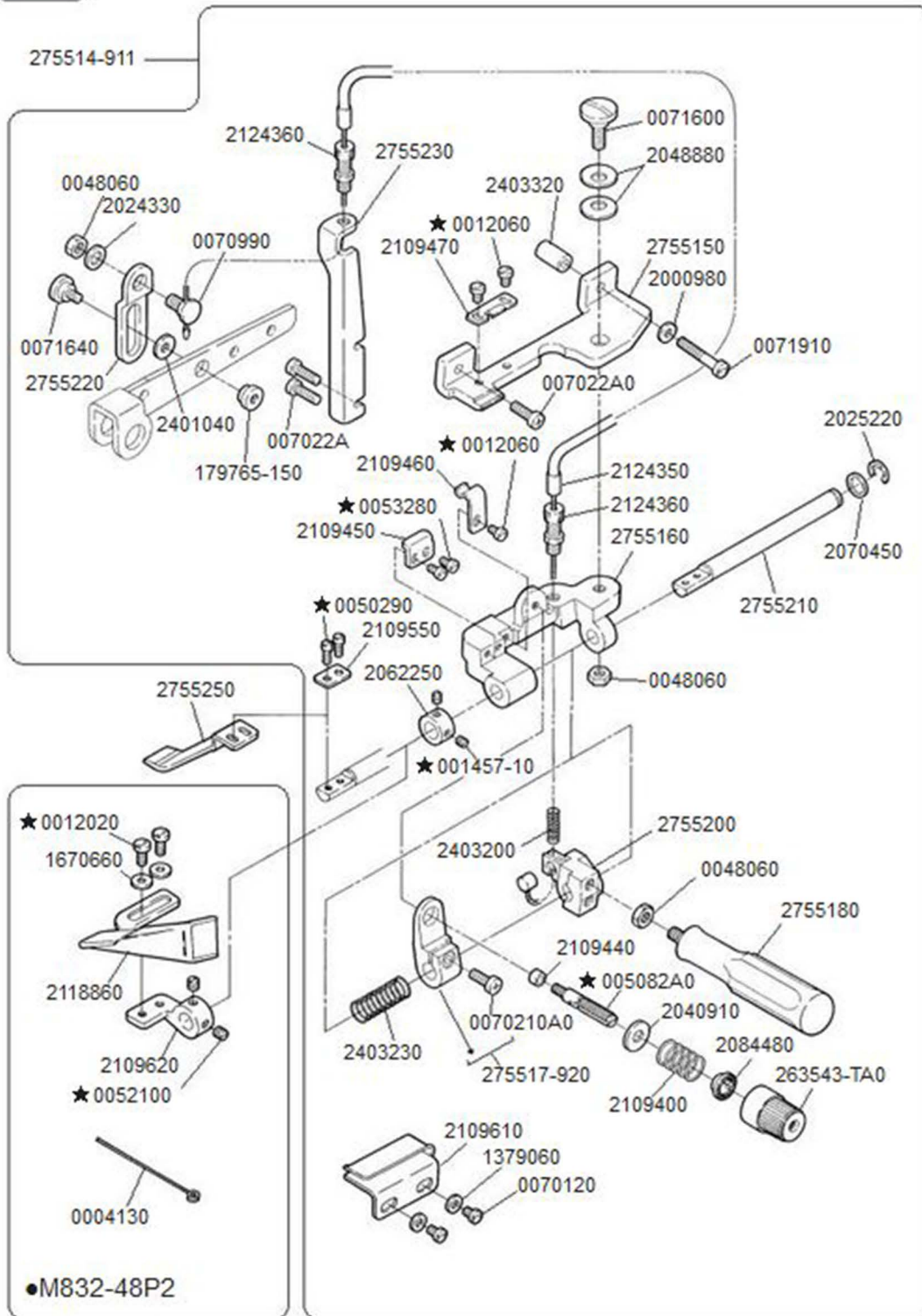
●M832-48



●M832-48P2



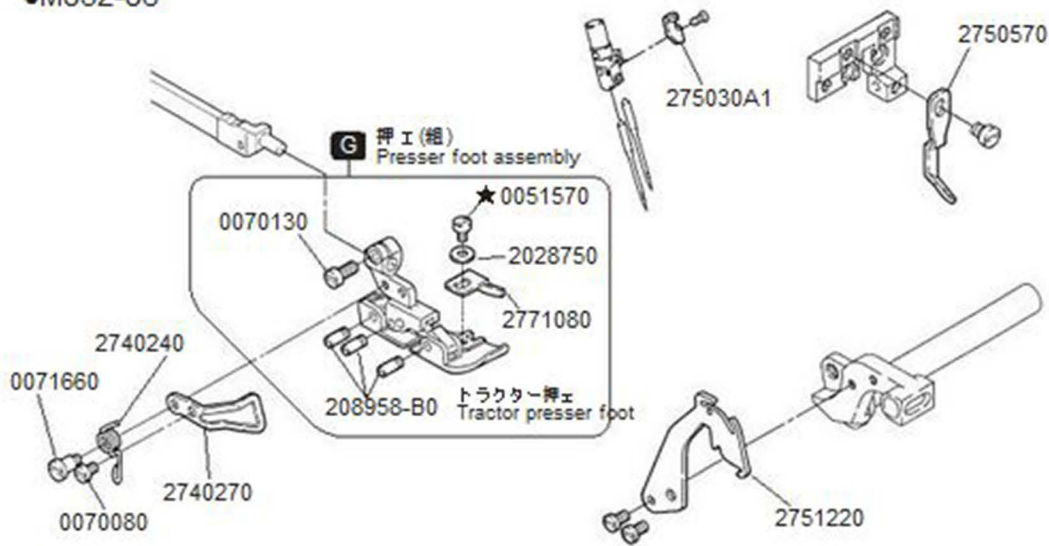
No.	Parts No.	Name
1	2095960B0009	PRESSER ARM SHAFT
2	209576A91009	CLOTH PLATE ASSY
3	274022000009	SPRING
4	007009000009	SCREW
5	274026000009	FINGER GUARD
6	007008000009	SCREW
7	277100000009	HOLDER
8	005030000009	SCREW
9	208532000009	FABRIC GUIDE
10	003153000009	NUT
11	007013000009	SCREW
12	005409000009	NUT
13	274028000009	SPRING
14	212498000009	LATCH
15	212499-B0009	PIN
16	208958-B0009	PIN
17	274103-91009	BRACKET ASSY.
18	007008000009	SCREW
19	274027000009	FINGER GUARD
20	007013000009	SCREW
21	208958-B0009	PIN
22	002921000009	SCREW
23	202875000009	WASHER
24	005077000009	SCREW
25	204460000009	FABRIC GUIDE
26	000403-9S009	TAPE DISC ASSY.
27	000406000009	FELT
28	000405000009	FIXING BAR
29	000404000009	TAPE DISC
30	004012000009	SCREW
31	000408000009	SCREW
32	000407000009	COLLAR
33	000409000009	SHAFT
34	004908000009	SCREW
35	000410-SA009	BRACKET
36	004818000009	NUT



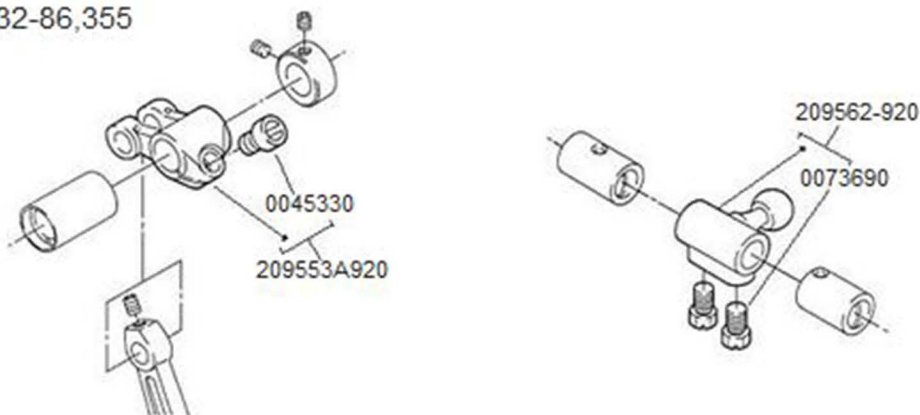
No.	Parts No.	Name
1	275514-91019	SHIRRING ATTACHMENT ASSY.
2	004806000009	NUT
3	202433000009	WASHER
4	007099000009	SCREW
5	007164000009	SCREW
6	275522000009	LATCH
7	240104000009	WASHER
8	179765-15009	NUT
9	212436000009	CABLE SUPPORT
10	275523000009	BRACKET
11	007022A00009	SCREW
12	007160000009	SCREW
13	204888000009	SPRING
14	240332000009	SPACER
15	275515000009	BRACKET
16	200098000009	WASHER
17	007191000009	SCREW
18	001206000009	SCREW
19	210947000009	FLAT SPRING
20	007022A00009	SCREW
21	001206000009	SCREW
22	210946000009	FLAT SPRING
23	005328000009	SCREW
24	210945000009	BRACKET
25	212435000009	CABLE
26	212436000009	CABLE SUPPORT
27	275516000009	BRACKET
28	202522000009	RING
29	207045000009	WASHER
30	275521000009	SHAFT
31	004806000009	NUT
32	206225000009	COLLAR
33	005029000009	SCREW
34	210955000009	WASHER
35	275525000009	BLADE
36	001457-10009	SCREW
37	240320000009	SPRING
38	275520000009	BRACKET

No.	Parts No.	Name
39	004806000009	NUT
40	275518000009	LEVER
41	210944000009	WASHER
42	005082A00009	SCREW STUD
43	204091000009	WASHER
44	208448000009	RATCHET
45	210940000009	SPRING
46	263543-TA009	KNOB
47	007021A00009	SPRING
48	240323000009	SPRING GUIDE
49	275517-92009	FABRIC GUIDE
50	210961000009	WASHER
51	137906000009	WASHER
52	007012000009	SCREW
53	001202000009	WASHER
54	167066000009	WASHER
55	211886000009	BINDER BRACKET
56	210962000009	BINDER BRACKET
57	005210000009	SCREW
58	000413000009	THREAD GUIDE

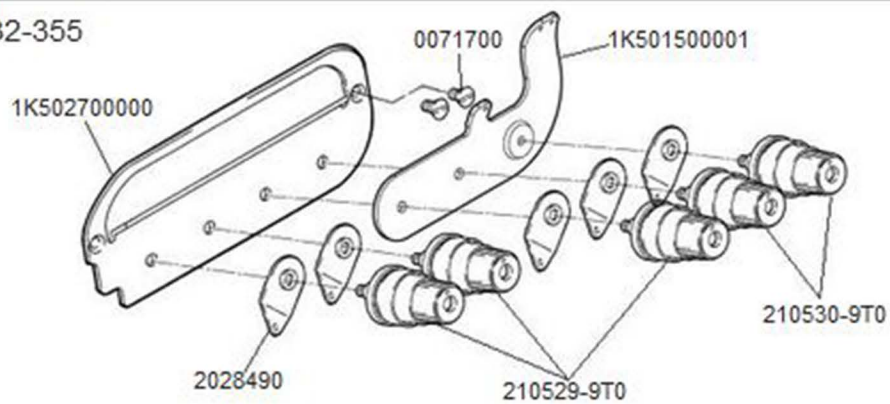
●M832-86



●M832-86,355

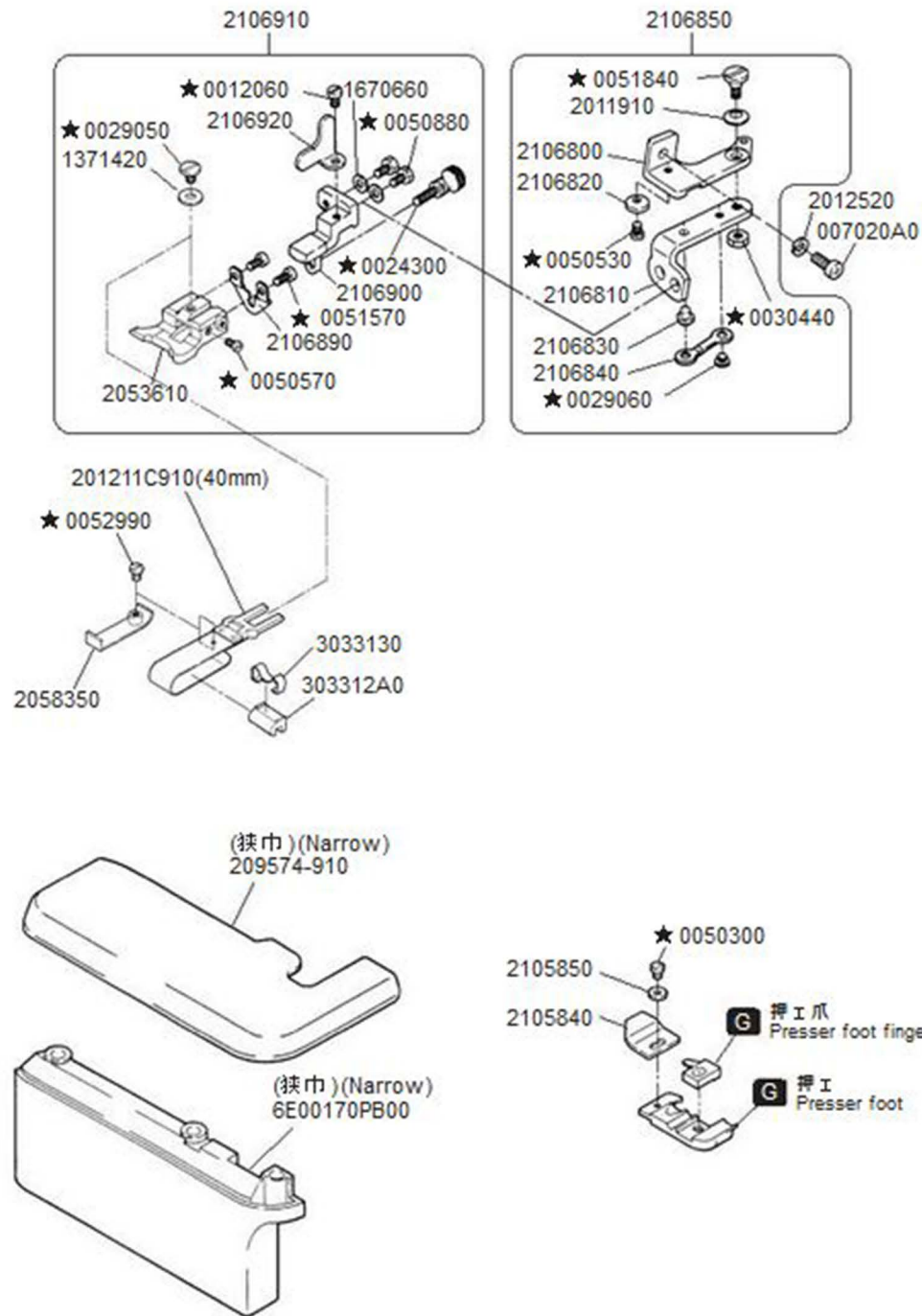


●M832-355



No.	Parts No.	Name
1	275057000009	THREAD GUIDE
2	275030A00019	THREAD GUIDE
3	005157000009	SCREW
4	202875000009	WASHER
5	277108000009	FABRIC GUARD
6	007013000009	SCREW
7	208958-B0009	PIN
8	274024000009	SPRING
9	007166000009	SCREW
10	274027000009	FINGER GUARD
11	007008000009	SCREW
12	275122000009	NEEDLE THREAD TAKE-UP
13	004533000009	BOLT
14	209553A92009	CRANK
15	209562-92009	CRANK
16	007369000009	BOLT
17	1K5027000009	THREAD GUIDE
18	007170000009	SCREW
19	1K5015000019	THREAD GUARD
20	202849000009	TENSION GUIDE
21	210529-9T009	TENSION SPRING ASSY.
22	210530-9T009	TENSION SPRING ASSY.

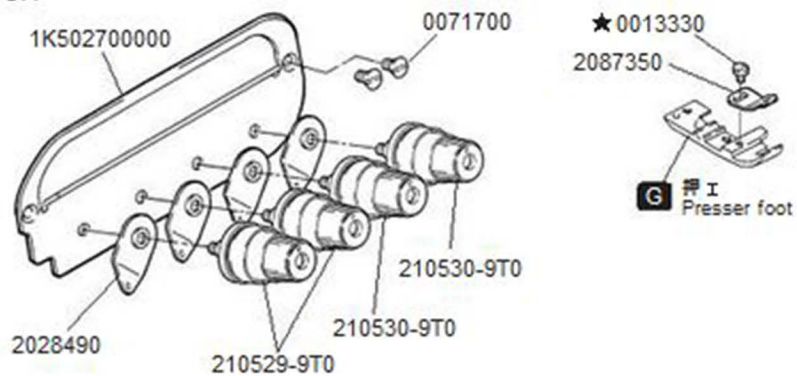
★印はインチネジです。
★=inch size



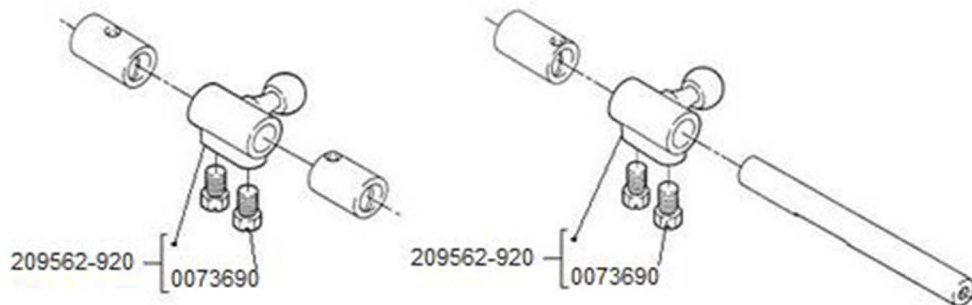
No.	Parts No.	Name
1	210691000009	CLOTH GUIDE ASSY.
2	001206000009	SCREW
3	167066000009	WASHER
4	210692000009	STOPPER
5	005088000009	BOLT
6	002905000009	SCREW
7	137142000009	WASHER
8	002430000009	SCREW
9	210690000009	BRACKET
10	005157000009	SCREW
11	210689000009	ADJUSTING PLATE
12	005057000009	SCREW
13	205361000009	BRACKET
14	210685000009	CLOTH GUIDE BRACKET ASSY.
15	005184000009	SCREW
16	201191000009	SPRING
17	210680000009	CLOTH GUIDE BRACKET
18	210682000009	STOPPER
19	005053000009	SCREW
20	210681000009	HINGE/EDGE GUIDE BRACKET
21	201252000009	SPRING WASHER
22	007020A00009	SCREW
23	003044000009	NUT
24	210683000009	PIN
25	210684000009	FLAT SPRING
26	002906000009	SCREW
27	201211C91009	FOLDER ASSY. (40mm)
28	005299000009	SCREW
29	205835000009	AUXILIARY PLATE
30	303313000009	CLAMP
31	303312A00009	STOPPER
32	209574-91009	CLOTH PLATE ASSY
33	6E00170PB009	SIDE COVER
34	005030000009	SCREW
35	210585000009	WASHER
36	210584000009	UNCURLER

※印は非売品です。 ★印はインチネジです。
 ※=Not for sale ★=inch size

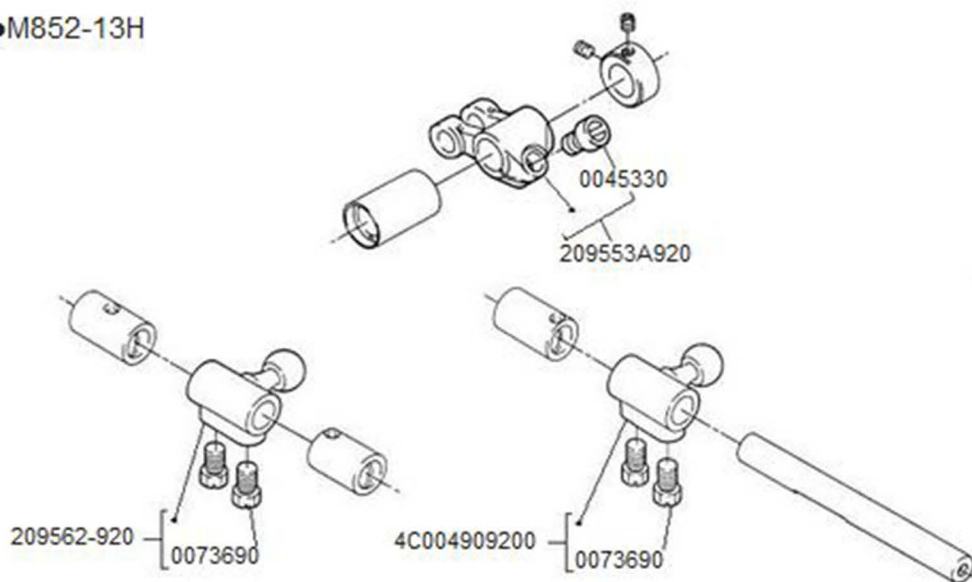
●M852-13,13H



●M852-13

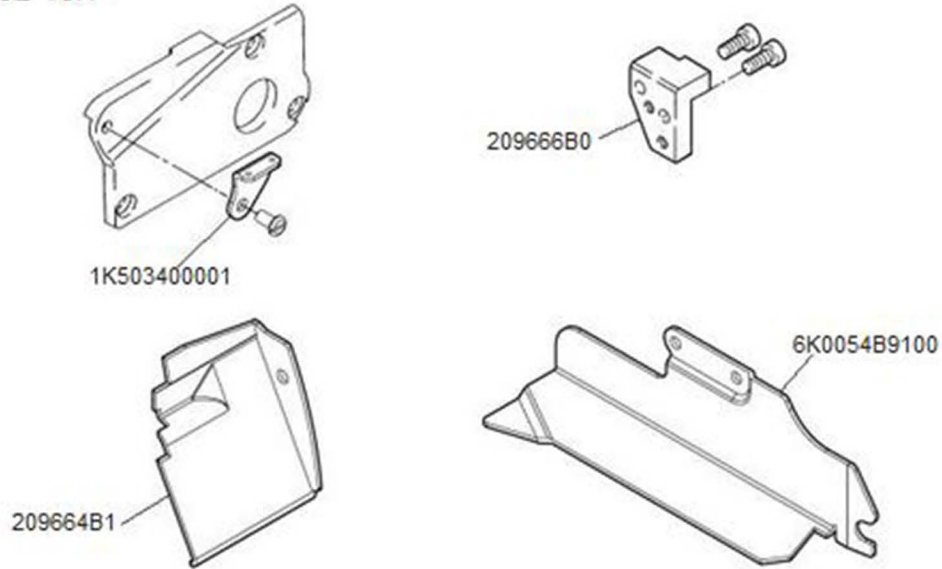


●M852-13H



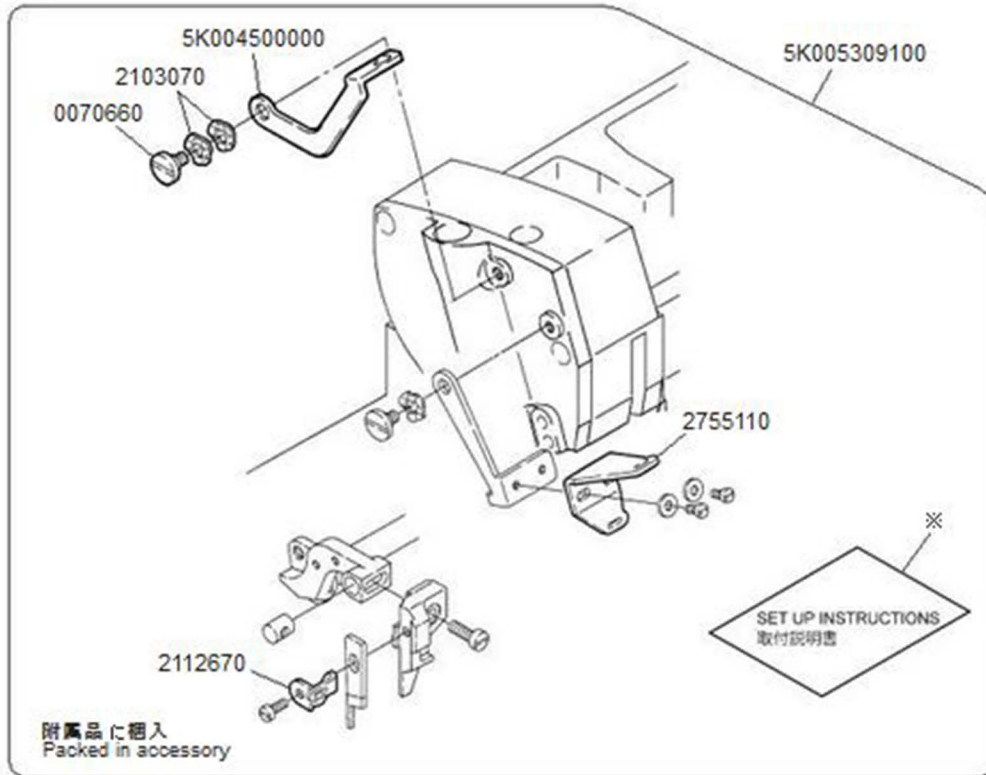
No.	Parts No.	Name
1	1K5027000009	THREAD GUIDE
2	007170000009	SCREW
3	202849000009	TENSION GUIDE
4	210529-9T009	TENSION SPRING ASSY.
5	210530-9T009	TENSION SPRING ASSY.
6	210530-9T009	TENSION SPRING ASSY.
7	001333000009	SCREW
8	208735000009	TAPE GUIDE
9	209562-92009	CRANK
10	007369000009	BOLT
11	209562-92009	CRANK
12	007369000009	BOLT
13	004533000009	BOLT
14	209553A92009	CRANK
15	007369000009	BOLT
16	4C0049092009	CRANK
17	007369000009	BOLT
18	209562-92009	CRANK

●M852-13H



No.	Parts No.	Name
1	1K5034000019	THREAD GUIDE
2	209666B00009	BRACKET
3	209664B00019	FRONT COVER(CENTER)
4	6K0054B91019	FABRIC GUARD ASSY
5	5K0053091009	TAPE GUIDE COMPLETE
6	5K0045000009	TAPE GUIDE(UPPER)
7	210307000009	WASHER
8	007066000009	SCREW
9	275511000009	TAPE GUIDE
10	211267000009	TAPE TAKE-UP

●M852-13,13H,52

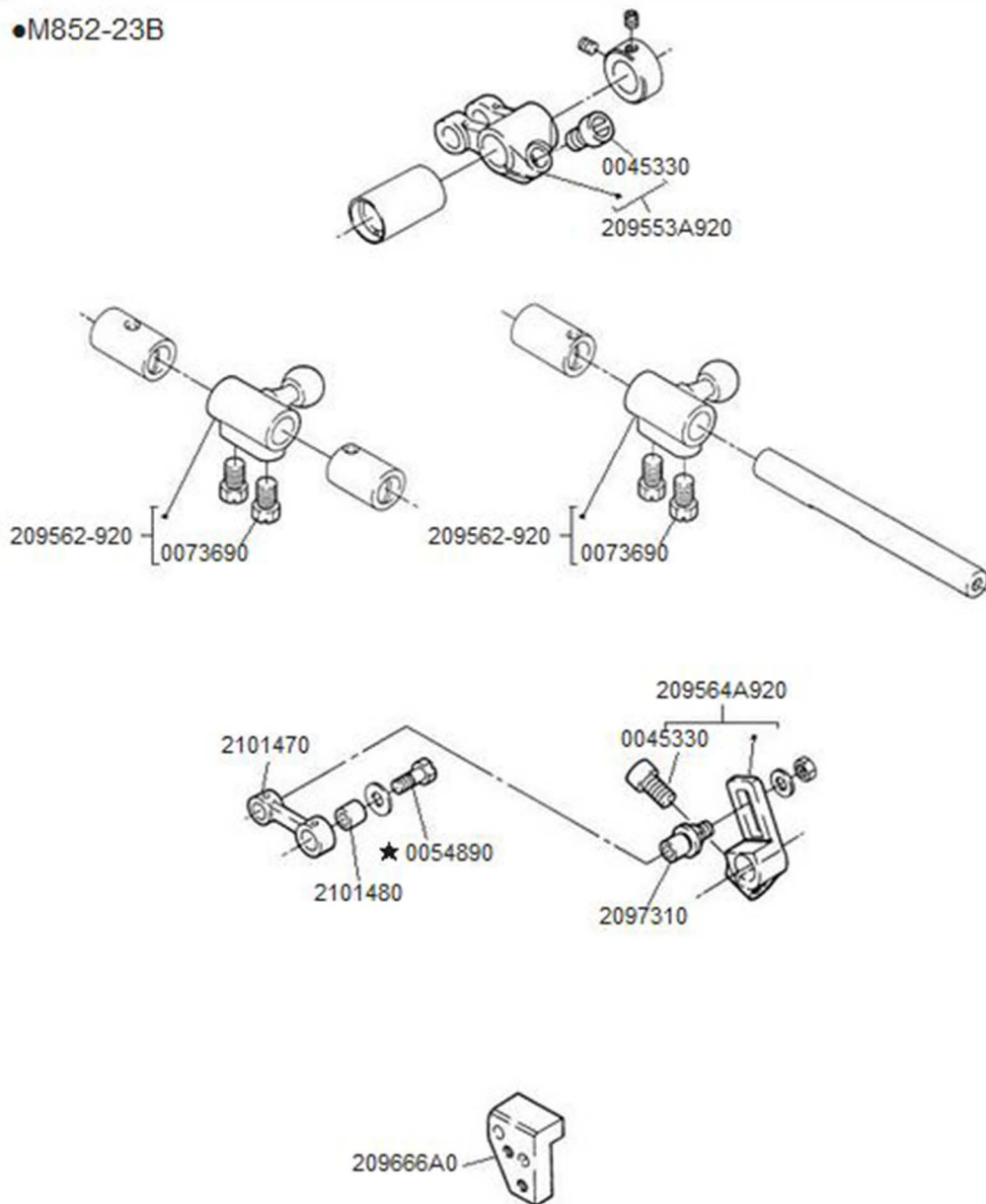


★印はインチネジです。 ★=inch size **G** ゲージパーツ表参照 Refer to the gauge parts list.

●M852-16S2,17,23B



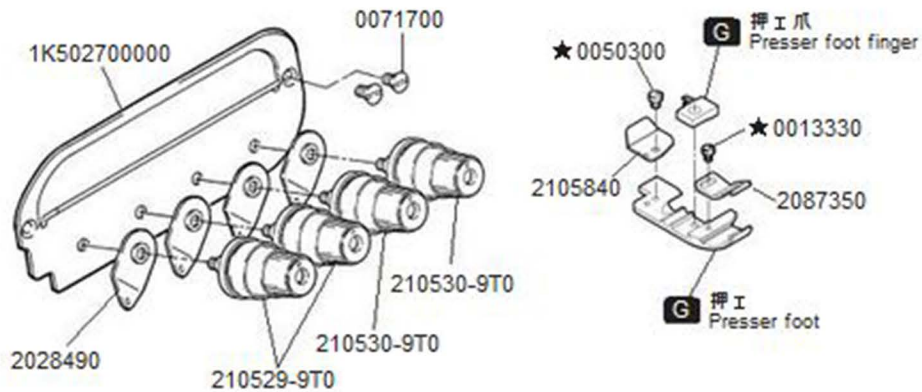
●M852-23B



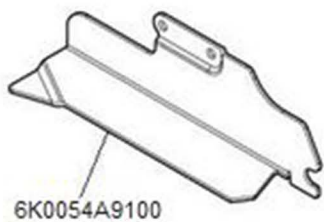
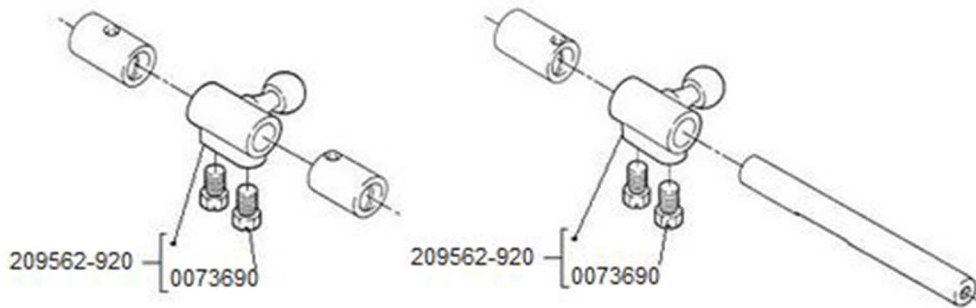
No.	Parts No.	Name
1	001231000009	SCREW
2	201265B00009	FABRIC GUARD
3	004533000009	BOLT
4	209553A92009	CRANK
5	209562-92009	CRANK
6	007369000009	BOLT
7	209562-92009	CRANK
8	007369000009	BOLT
9	210147000009	CRANK
10	005489000009	BOLT
11	210148000009	BUSHING
12	209564A92009	CRANK
13	004533000009	BOLT
14	209731000009	CRANK PIN
15	209666A00009	BRACKET

※印は非売品です。 ★印はインチネジです。
 ※=Not for sale ★=inch size

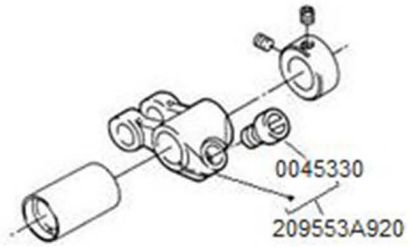
●M852-52



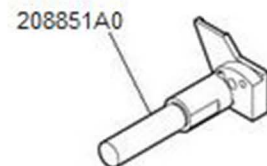
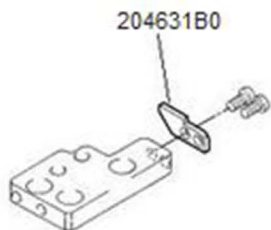
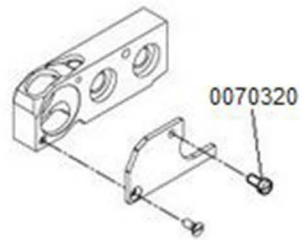
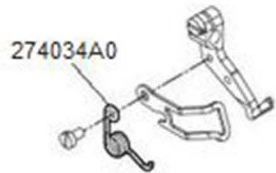
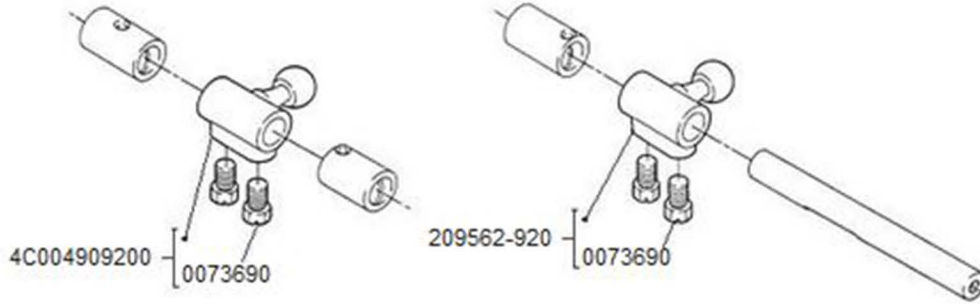
No.	Parts No.	Name
1	1K5027000009	THREAD GUIDE
2	007170000009	SCREW
3	202849000009	TENSION GUIDE
4	210530-9T009	TENSION SPRING ASSY.
5	210529-9T009	TENSION SPRING ASSY.
6	005030000009	SCREW
7	210584000009	UNCURLER
8	001333000009	SCREW
9	208735000009	TAPE GUIDE
10	209562-92009	CRANK
11	007369000009	BOLT
12	209562-92009	CRANK
13	007369000009	BOLT
14	6K0054A91009	FABRIC GUARD ASSY.



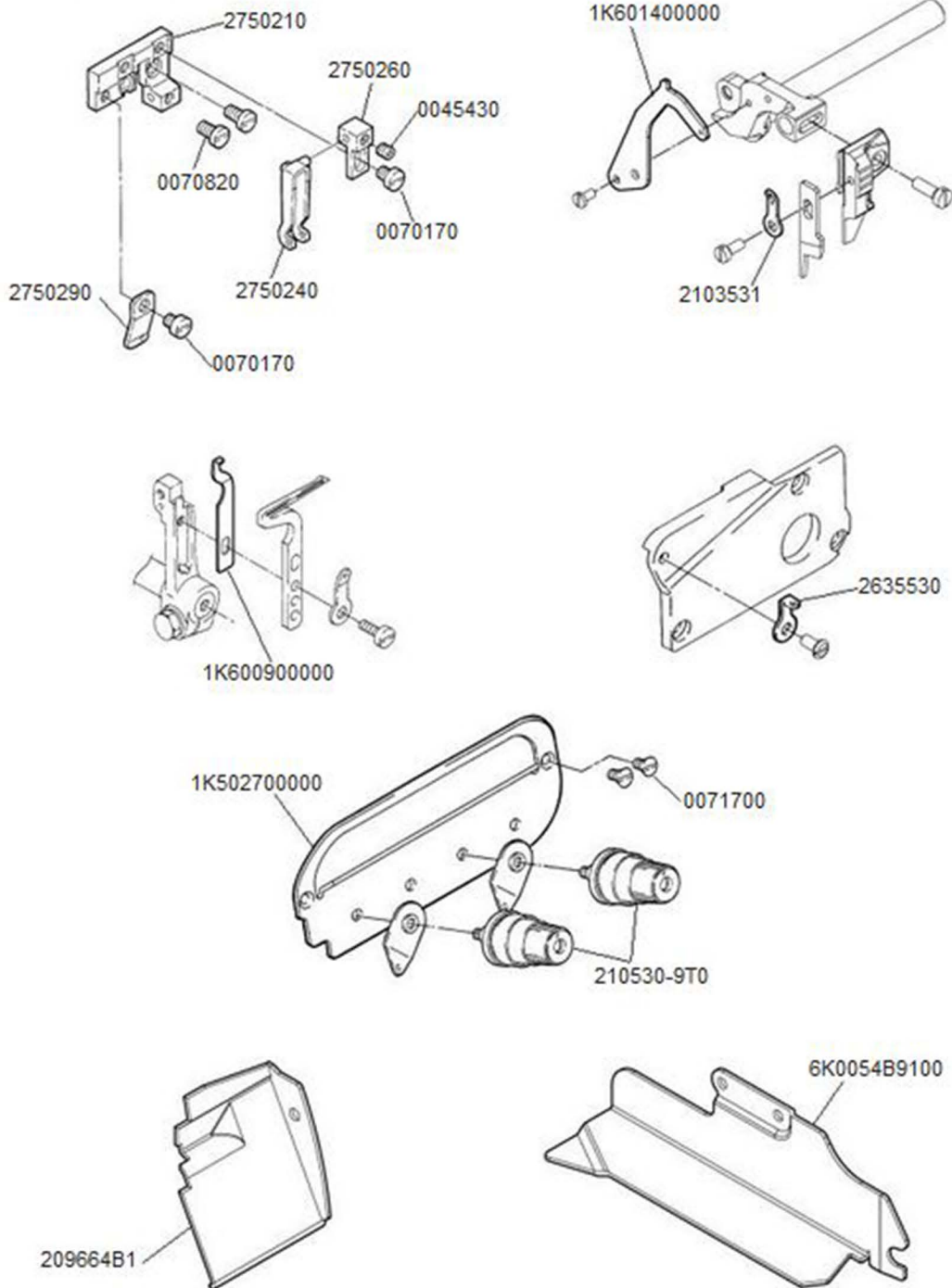
●M852-90



No.	Parts No.	Name
1	004533000009	BOLT
2	209553A92009	CRANK
3	4C0049092009	CRANK
4	007369000009	BOLT
5	209562-92009	CRANK
6	007369000009	BOLT
7	274034A00009	SPRING
8	007032000009	SCREW
9	204631B00009	GUIDE
10	208851A00009	LOWER KNIFE HOLDER

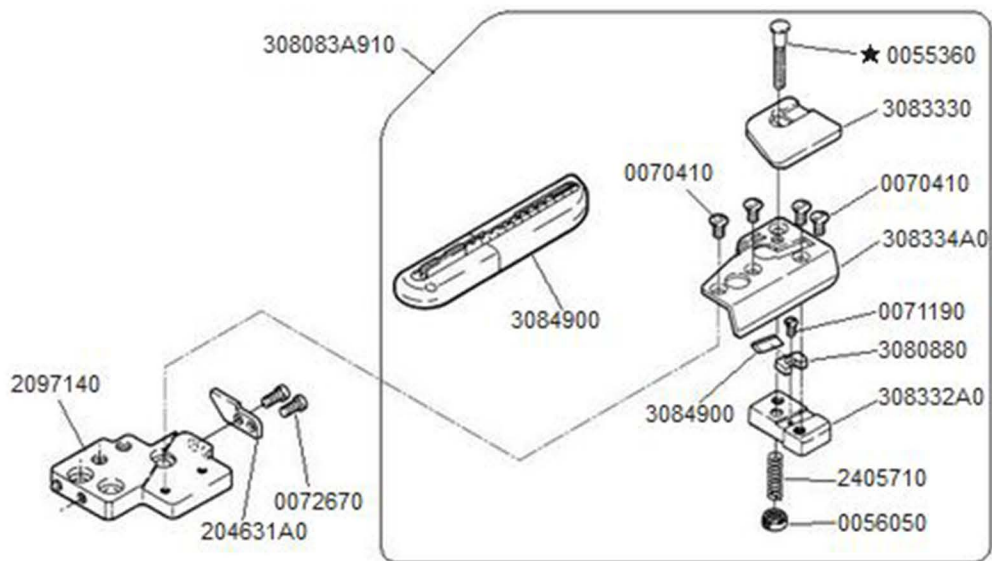
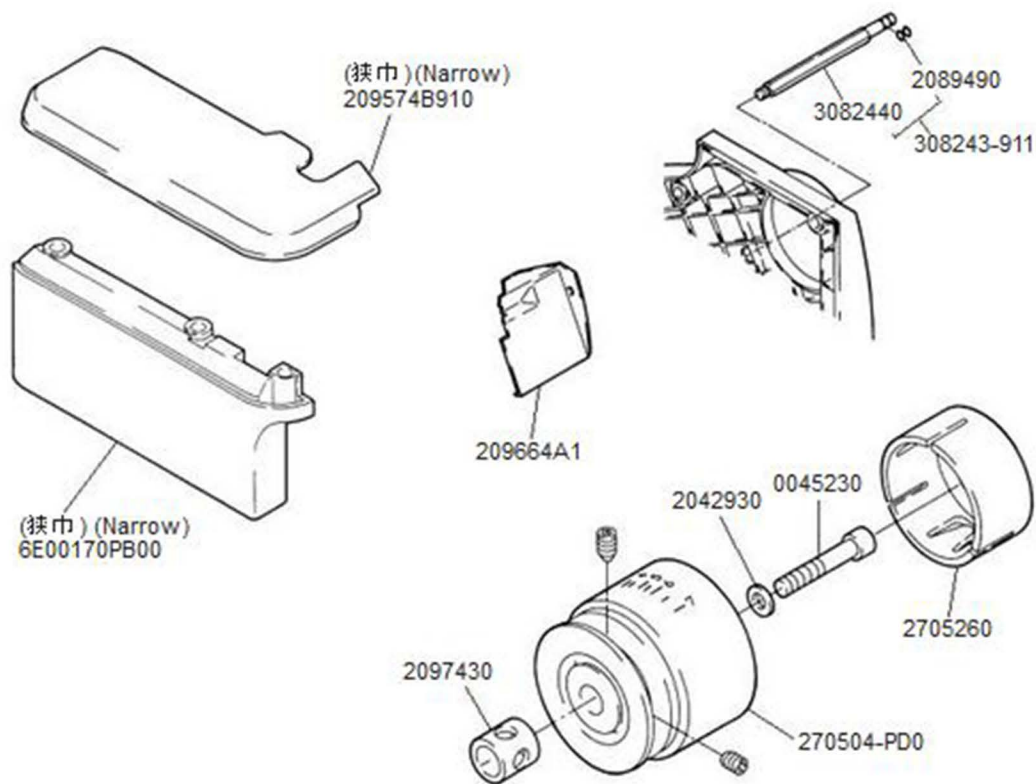


●M852-90



No.	Parts No.	Name
1	275021000009	BRACKET
2	007082000009	SCREW
3	275026000009	BRACKET
4	004543000009	SCREW
5	007017000009	SCREW
6	275024000009	THREAD GUIDE
7	275029000009	THREAD GUIDE
8	007017000009	SCREW
9	1K6014000009	NEEDLE THREAD TAKE-UP
10	210353000019	THREAD GUIDE
11	1K6009000009	THREAD TAKE-UP
12	263553000009	THREAD GUIDE
13	1K5027000009	THREAD GUIDE
14	007170000009	SCREW
15	210530-9T009	TENSION SPRING ASSY.
16	6K0054B91009	FABRIC GUARD ASSY
17	209664B00019	FRONT COVER(CENTER)

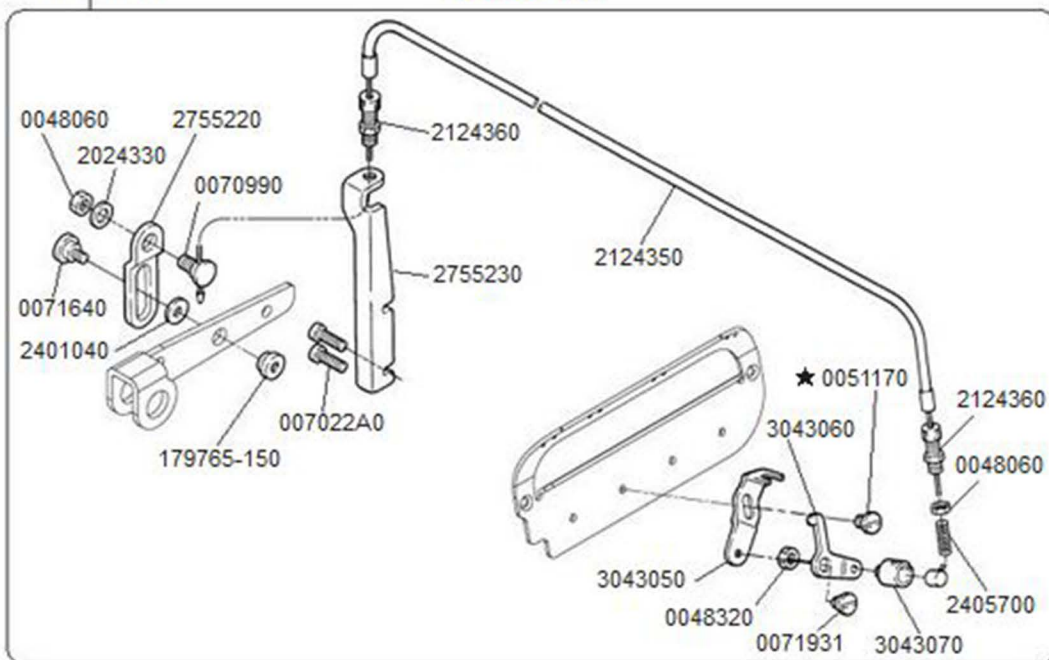
●M852-180,181



No.	Parts No.	Name
1	209574B91009	CLOTH PLATE ASSY.
2	6E00170PB009	SIDE COVER
3	209664A00019	FRONT COVER (MIDDLE)
4	208949000009	O RING
5	308244000009	PIN
6	308243-91019	PIN
7	270526000009	COVER
8	004523000009	BOLT
9	204293000009	SPRING WASHER
10	270504-PD009	MACHINE PULLEY
11	209743000009	SPACER
12	308083A91009	KNIFE ASSY.
13	005536000009	SCREW
14	308333000009	UNCURLER
15	007041000009	SCREW
16	007041000009	SCREW
17	308334A00009	KNIFE GUIDE
18	007119000009	SCREW
19	308088000009	LATCH
20	308490000009	KNIFE
21	308332A00009	BRACKET
22	240571000009	SPRING
23	005605000009	NUT
24	308490000009	KNIFE
25	209714000009	GUIDE
26	007267000009	SCREW
27	204631A00009	GUIDE

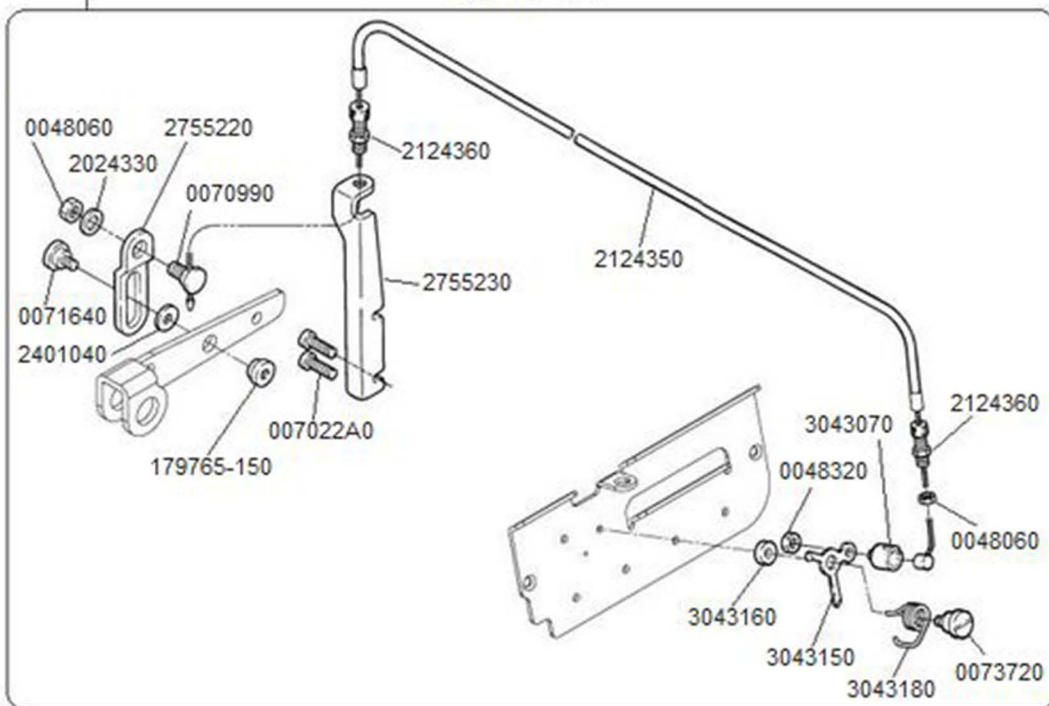
308567-91Y0

●M852-180



304314A9100

●M852-181



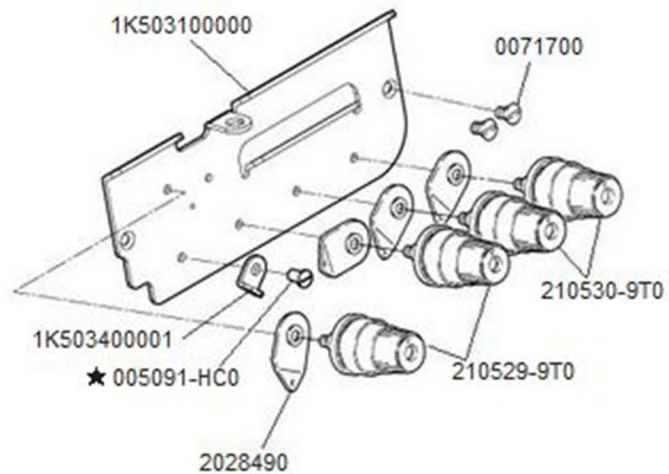
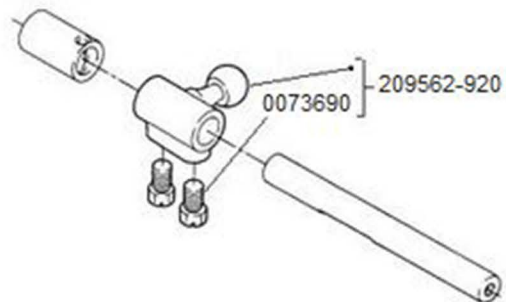
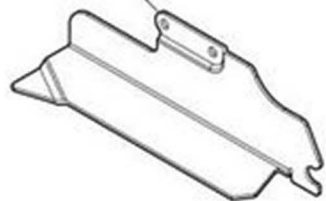
No.	Parts No.	Name
1	308567-91Y09	THREAD RELEASER ASSY.
2	004806000009	NUT
3	202433000009	WASHER
4	275522000009	LATCH
5	007099000009	SCREW
6	007164000009	SCREW
7	240104000009	WASHER
8	179765-15009	NUT
9	007022A000009	SCREW
10	212436000009	CABLE SUPPORT
11	275523000009	BRACKET
12	212435000009	CABLE
13	212436000009	CABLE SUPPORT
14	004806000009	NUT
15	240570000009	SPRING
16	005117000009	SCREW
17	304307000009	BRACKET
18	0071930000019	SCREW
19	304306000009	BLADE
20	004832000009	NUT
21	304305000009	BRACKET
22	304314A91009	THREAD RELEASER ASSY
23	004806000009	NUT
24	202433000009	WASHER
25	275522000009	LATCH
26	007099000009	SCREW
27	007164000009	SCREW
28	240104000009	WASHER
29	179765-15009	NUT
30	007022A000009	SCREW
31	275523000009	BRACKET
32	212436000009	CABLE SUPPORT
33	212435000009	CABLE
34	212436000009	CABLE SUPPORT
35	004806000009	NUT
36	304307000009	BRACKET
37	004832000009	NUT
38	007372000009	SCREW

No.	Parts No.	Name
39	304318000009	SPRING
40	304315000009	BLADE
41	304316000009	WASHER

●M852-181

★印はインチネジです。
★=inch size

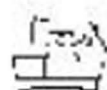
6K0054A9100



No.	Parts No.	Name
1	001231000009	SCREW
2	201265B00009	FABRIC GUARD
3	6K0054A91009	FABRIC GUARD ASSY
4	209562-92009	CRANK
5	007369000009	BOLT
6	1K5031000009	THREAD GUARD
7	007170000009	SCREW
8	210530-9T009	TENSION SPRING ASSY.
9	210529-9T009	TENSION SPRING ASSY.
10	1K5034000019	THREAD GUIDE
11	005091-HC009	SCREW
12	202849000009	TENSION GUIDE

M832 ゲージパーツ表

M832 GAUGE PARTS LIST



マシン形式 MACHINE TYPE /SPEC.	ゲージ GAUGE		針板 NEEDLE PLATE	主送り歯(組) MAIN FEED DOG ASSY.	主送り歯本体 MAIN FEED DOG	補助送り歯 AUX. FEED DOG	差動送り歯 DIFF. FEED DOG	押エ(組) PRESSER FOOT ASSY.	上ルーパー UPPER LOOPER	下ルーパー LOWER LOOPER	二重環ルーパー CHAINSTITCH LOOPER	上メス UPPER KNIFE
	NG	SW										
M832-38	3	4	2043671	2080660	(2043960)	(2080600)	2082190	2771180	2047020 #4	2040720	2096850	201121A0
M832-48	3	4	2049401	2080740	(2049310)	(2080610)	2044201	2771200	2047020 #4	2040720	2096850	201121A0
M832-48P2	3	4	2049401	2080740	(2049310)	(2080610)	2044201	204502A1	2047020 #4	2040720	2096850	201121A0
M832-70	5	5	204360A1	2080630	(204248B0)	(2080590)	2082150	2771190	2047020 #4	2040720	2096850	201121A0
M832-86	5	6	2045291	2080640	(2043940)	(2080590)	2082170	2771220	2047030 #6	2040720	209685A00	201121A0
M832-355	3x2	4	2086481	2080660	(2043960)	(2080600)	2082190	277118A0	2097331 #14	2040720	2096850	201121A0



マシン形式 MACHINE TYPE /SPEC.	ゲージ GAUGE		下メス LOWER KNIFE	オーバ針受 OVERLOCK NEEDLE GUARD		二重環針受 CHAINSTITCH NEEDLE GUARD		針留 NEEDLE HOLDER	針 NEEDLE
	NG	SW		前	後	前	後		
				FRONT	REAR	FRONT	REAR		
M832-38	3	4	2041610	2096680	2090090	2045360	2096690	277027-921	DC*27 #14
M832-48	3	4	2041610	2096680	2090090	2045360	2096690	277027-921	DC*27 #14
M832-48P2	3	4	2041610	2096680	2090090	2045360	2096690	277027-921	DC*27 #14
M832-70	5	5	2041610	2096680	2090090	2040420	209669A0	277029-920	DC*27 #14
M832-86	5	6	2041610	2096680	2090090	2040420	209669A0	277029-920	DC*27 #21
M832-355	3x2	4	2041610	2096680	2090090	2045360	2096690	2K000309200	DC*27 #11



マシン形式 MACHINE TYPE /SPEC	ゲージ GAUGE		針板 NEEDLE PLATE	主送り歯(組) MAIN FEED DOG ASSY.	主送り歯本体 MAIN FEED DOG	補助送り歯 AUX. FEED DOG	差動送り歯 DIFF. FEED DOG	押エ(組) PRESSER FOOT ASSY.	押エ爪 PRESSER FOOT FINGER	上ルーパ UPPER LOOPER	下ルーパ LOWER LOOPER	上メス UPPER KNIFE
	NG	SW										
M852-01	—	4	2057731	208090-BF0	(204729ABF0)	(2046740)	204730-BF0	201152E0	201155C0 #34	2040620 #2	2040720	201121A0
M852-13	2	4	202554E1	208078-BF0	(204675ABF0)	(2046740)	204678-BF0	2087301	2087321 #38	2049631 #31	2040720	201121A0
	2	5	202499E1	208078-BF0	(204675ABF0)	(2046740)	204678-BF0	2087301	2087321 #38	2049631 #31	2040720	201121A0
M852-13H	2	7	2P000607000	208078-BF0	(204675ABF0)	(2046740)	204678-BF0	2087301	278023A0 #17	F000300000 #17	2040720	201121A0
M852-16S2	—	1.5	2054851	2089110	(204729A0)	(2089120)	2047300	201230C0	2055250 #57	2040620 #2	2040720	201121A0
M852-17	—	4	202548E1	208078-BF0	(204675ABF0)	(2046740)	204678-BF0	201230C0	2103710 #2	2040620 #2	2040720	201121A0
M852-23B	2.5	4.5	209508-451	209509-25F0	(209416-25F0)	(2046740)	209417A25F0	201230C0	208050A0 #31	2092091 #13	2049910	201121A0
M852-52	2	4	20524300001	208079-BF0	(204675ABF0)	(2046770)	204678-BF0	2093880	201310A0 #55	2049631 #31	2040720	201121A0
	2	5	20524400001	208079-BF0	(204675ABF0)	(2046770)	204678-BF0	2093880	201310A0 #55	2049631 #31	2040720	201121A0
M852-90	—	6	2P000106001	—	—	—	3F000102500	2772960	3T000300000	F000200000 #18	2040720	2770000
M852-180	—	4	202618A1	208090A18F0	(204729B18F0)	(2046740)	204730A18F0	201473B0	3014330	2040620 #2	2040720	201121A0
M852-181	2	4	2097321	209740-16F0	(209741-16F0)	(2046770)	209742-16F0	2052530	2097340 #66	2049631 #31	2040720	201121A0



マシン形式 MACHINE TYPE /SPEC	ゲージ GAUGE		下メス LOWER KNIFE	針受け NEEDLE GUARD		針留 NEEDLE HOLDER	針 NEEDLE
	NG	SW		前	後		
				FRONT	REAR		
M852-01	—	4	2022950	2048591	2090090	179830-920	DC×27 #9
M852-13	2	4	2022950	2048591	2090090	277022-920	DC×27 #9
	2	5	2022950	2048591	2090090	277022-920	DC×27 #9
M852-13H	2	7	2022950	2048591	2090090	277022-920	DC×27 #9
M852-16S2	—	1.5	2022950	2048591	2090090	179830-920	DC×27 #11
M852-17	—	4	2022950	2048591	2090090	179830-920	DC×27 #9
M852-23B	2.5	4.5	2022950	2048591	2090090	277023-920	DC×27 #14
M852-52	2	4	2022950	2048591	2090090	277022-920	DC×27 #9
	2	5	2022950	2048591	2090090	277022-920	DC×27 #9
M852-90	—	6	2770091	2048591	2090090	277068-920	DC×27 #14
M852-180	—	4	2022950	2048591	2090090	179830-920	DC×27 #9
M852-181	2	4	2022950	2048591	2090090	277022-920	DC×27 #9

No.	Parts No.	Name
1		MAIN FEED DOG ASSY.
2		MAIN FEED DOG
3		AUX. FEED DOG
4	202295000009	LOWER KNIFE
5	204042000009	CHAINSTITCH NEEDLE GUARD(FRONT)
6	204072000009	LOWER LOOPER
7	204161000009	LOWER KNIFE
8	204367000019	NEEDLE PLATE
9	204394000009	MAIN FEED DOG
10	204396000009	MAIN FEED DOG
11	204420000019	DIFF. FEED DOG
12	204529000019	NEEDLE PLATE
13	204536000009	CHAINSTITCH NEEDLE GUARD(FRONT)
14	204659000019	NEEDLE GUARD(FRONT)
15	204674000009	AUX. FEED DOG
16	204677000009	AUX. FEED DOG
17	204730000009	DIFF. FEED DOG
18	204931000009	MAIN FEED DOG
19	204940000019	NEEDLE PLATE
20	204991000009	LOWER LOOPER
21	205253000009	PRESSER FOOT ASSY.
22	205465000019	NEEDLE PLATE
23	205773000019	NEEDLE PLATE
24	208059000009	AUX. FEED DOG
25	208060000009	AUX. FEED DOG
26	208061000009	AUX. FEED DOG
27	208063000009	MAIN FEED DOG ASSY.
28	208064000009	MAIN FEED DOG ASSY.
29	208066000009	MAIN FEED DOG ASSY.
30	208074000009	MAIN FEED DOG ASSY.
31	208215000009	DIFF. FEED DOG
32	208217000009	DIFF. FEED DOG
33	208219000009	DIFF. FEED DOG
34	208648000019	NEEDLE PLATE
35	208730000019	PRESSER FOOT ASSY.
36	208911000009	MAIN FEED DOG ASSY.
37	208912000009	AUX. FEED DOG
38	209009000009	OVERLOCK NEEDLE GUARD(REAR)
39	209009000009	NEEDLE GUARD(REAR)
40	209386000009	PRESSER FOOT ASSY.
41	209668000009	OVERLOCK NEEDLE GUARD(FRONT)
42	209669000009	CHAINSTITCH NEEDLE GUARD(REAR)

No.	Parts No.	Name
43	209685000009	CHAINSTITCH LOOPER
44	209732000019	NEEDLE PLATE
45	277000000009	UPPER KNIFE
46	277009000019	LOWER KNIFE
47	277118000009	PRESSER FOOT ASSY.
48	277119000009	PRESSER FOOT ASSY.
49	277120000009	PRESSER FOOT ASSY.
50	277122000009	PRESSER FOOT ASSY.
51	277296000009	PRESSER FOOT ASSY.
52	301433000009	PRESSER FOOT FINGER
53	201121A00009	UPPER KNIFE
54	201152E00009	PRESSER FOOT ASSY.
55	201230C00009	PRESSER FOOT ASSY.
56	201473B00009	PRESSER FOOT ASSY.
57	202499E00019	NEEDLE PLATE
58	202546E00019	NEEDLE PLATE
59	202554E00019	NEEDLE PLATE
60	202618A00019	NEEDLE PLATE
61	204248B00009	MAIN FEED DOG
62	204360A00019	NEEDLE PLATE
63	204502A00019	PRESSER FOOT ASSY.
64	204729A00009	MAIN FEED DOG
65	209669A00009	CHAINSTITCH NEEDLE GUARD(REAR)
66	277118A00009	PRESSER FOOT ASSY.
67		NEEDLE
68		NEEDLE
69	209685AC0009	CHAINSTITCH LOOPER
70		NEEDLE
71		NEEDLE
72		NEEDLE
73		NEEDLE
74	179630-92009	NEEDLE HOLDER
75	204062000009	UPPER LOOPER
76	204675ABF009	MAIN FEED DOG
77	204676-BF009	DIFF. FEED DOG
78	204702000009	UPPER LOOPER
78	204702000009	UPPER LOOPER
79	204703000009	UPPER LOOPER
80	204729ABF009	MAIN FEED DOG
81	204730-BF009	DIFF. FEED DOG
82	208078-BF009	MAIN FEED DOG ASSY.
83	208079-BF009	MAIN FEED DOG ASSY.

No.	Parts No.	Name
78	204702000009	UPPER LOOPER
79	204703000009	UPPER LOOPER
80	204729ABF009	MAIN FEED DOG
81	204730-BF009	DIFF. FEED DOG
82	208078-BF009	MAIN FEED DOG ASSY.
83	208079-BF009	MAIN FEED DOG ASSY.
84	208090-BF009	MAIN FEED DOG ASSY.
85	209508-45019	NEEDLE PLATE
86	210371000009	PRESSER FOOT FINGER
87	277022-92009	NEEDLE HOLDER
88	277023-92009	NEEDLE HOLDER
89	277027-92019	NEEDLE HOLDER
90	277029-92009	NEEDLE HOLDER
91	277066-92009	NEEDLE HOLDER
92	204729B16F09	MAIN FEED DOG
93	204730A16F09	DIFF. FEED DOG
94	204963000019	UPPER LOOPER
95	205243000019	NEEDLE PLATE
96	205244000019	NEEDLE PLATE
97	205525000009	PRESSER FOOT FINGER
98	208090A16F09	MAIN FEED DOG ASSY.
99	208732000019	PRESSER FOOT FINGER
100	209209000019	UPPER LOOPER
101	209416-25F09	MAIN FEED DOG
102	209417A25F09	DIFF. FEED DOG
103	209509-25F09	MAIN FEED DOG ASSY.
104	209733000019	UPPER LOOPER
105	209734000009	PRESSER FOOT FINGER
106	209740-16F09	MAIN FEED DOG ASSY.
107	209741-16F09	MAIN FEED DOG
108	209742-16F09	DIFF. FEED DOG
109	2K0003092009	NEEDLE HOLDER
110	2P0001060019	NEEDLE PLATE
111	2P0006070009	NEEDLE PLATE
112	3F0001025009	DIFF. FEED DOG
113	3T0003000009	PRESSER FOOT FINGER
114	201155C00009	PRESSER FOOT FINGER
115	201310A00009	PRESSER FOOT FINGER
116	208050A00009	PRESSER FOOT FINGER
117	278023A00009	PRESSER FOOT FINGER
118	2F0002000069	UPPER LOOPER
119	2F0003000009	UPPER LOOPER

No.	Parts No.	Name
120		M852(P)-52H-2X4
121		M852(P)-52H-2X5
122		M852-13H-2X4
123		M852-13H-2X5