



Home Sewing Machine

PARTS REFERENCE LIST

MODEL: XM3700
LX37NT
BN37
XM3710
XL3700
GS3750
BB370
ModerN 39A
artwork37A
XR3774
XL3850
VitrageM79
ArtCity300A

CONFIDENTIAL

©2011 Brother Industries, Ltd.
All rights reserved.

Published: Jan.,2011
Revised: Jul.,2016

MODEL LIST

Model	Countries (Added Date)
XM3700	USA (Jan / 2011)
LX37NT	UK (Jul / 2011)
BN37	EEU (Aug / 2011)
XM3710	CAN (Sep / 2011)
XL3700	USA&MEX (Jan / 2012)
GS3750	CHN (Mar / 2012)
BB370	USA (Sep / 2012)
ModerN 39A	RUS (Oct / 2012)
XM3700 (888X08)	USA (Dec / 2012)
XL3700 (888X08)	USA&MEX (Dec / 2012)
LX37NT (888X08)	UK (Dec / 2012)
BN37 (888X08)	EEU (Dec / 2012)
ModerN 39A (888X08)	RUS (Dec / 2012)
GS3750 (888X08)	CHN (Dec / 2012)
BB370 (888X08)	USA (Dec / 2012)
XM3710 (888X08)	CAN (Dec / 2012)
XL3700	ARG, PRY (Oct / 2013)
artwork37A	RUS (Apr / 2014)
XR3774	USA (May / 2014)
XL3850	MEX (Jul / 2014)
VitrageM79	RUS (Feb / 2015)
ArtCity300A	RUS (May / 2015)
XL3850 (888X08)	USA (May / 2015)

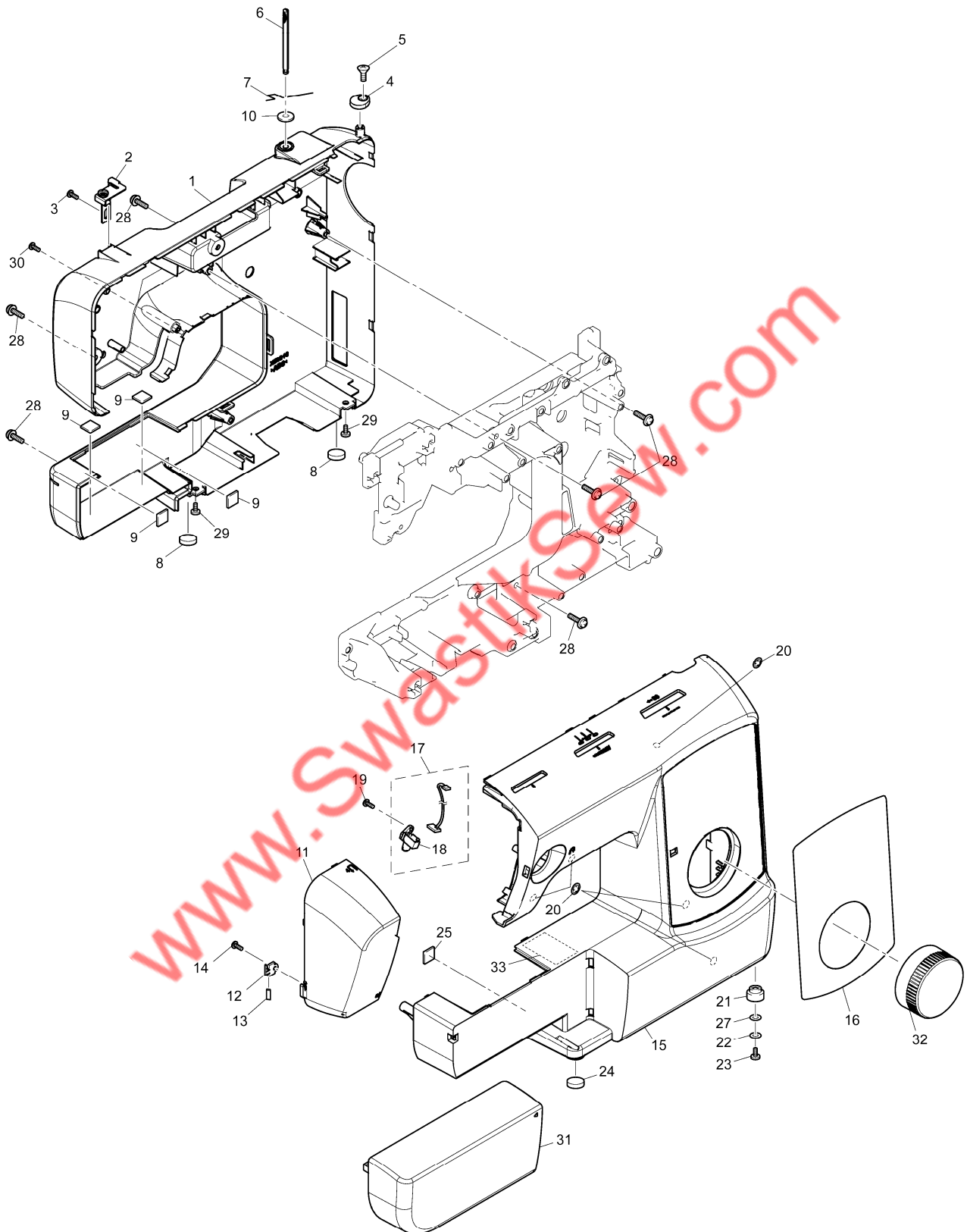
CONTENTS

(1) MAIN FRAME / COVER	2
(2) UPPER SHAFT MECHANISM.....	4
(3) NEEDLE BAR / PRESSER FOOT UNIT	6
(4) FEED UNIT	8
(5) FEED CONTROL MECHANISM.....	10
(6) ZIGZAG / BUTTONHOLE MECHANISM.....	12
(7) PATTERN SELECTTING / NEEDLE THREADING MECHANISM	14
(8) MAIN MOTOR UNIT	16
(9) ACCESSORY PARTS / USER MANUAL / PACKAGE	18
SPARE PARTS.....	20

Note on parts:

We keep performance parts for this sewing machine for at least 8 years after this model is discontinued. Performance parts are the necessary parts to maintain the function of the sewing machine.

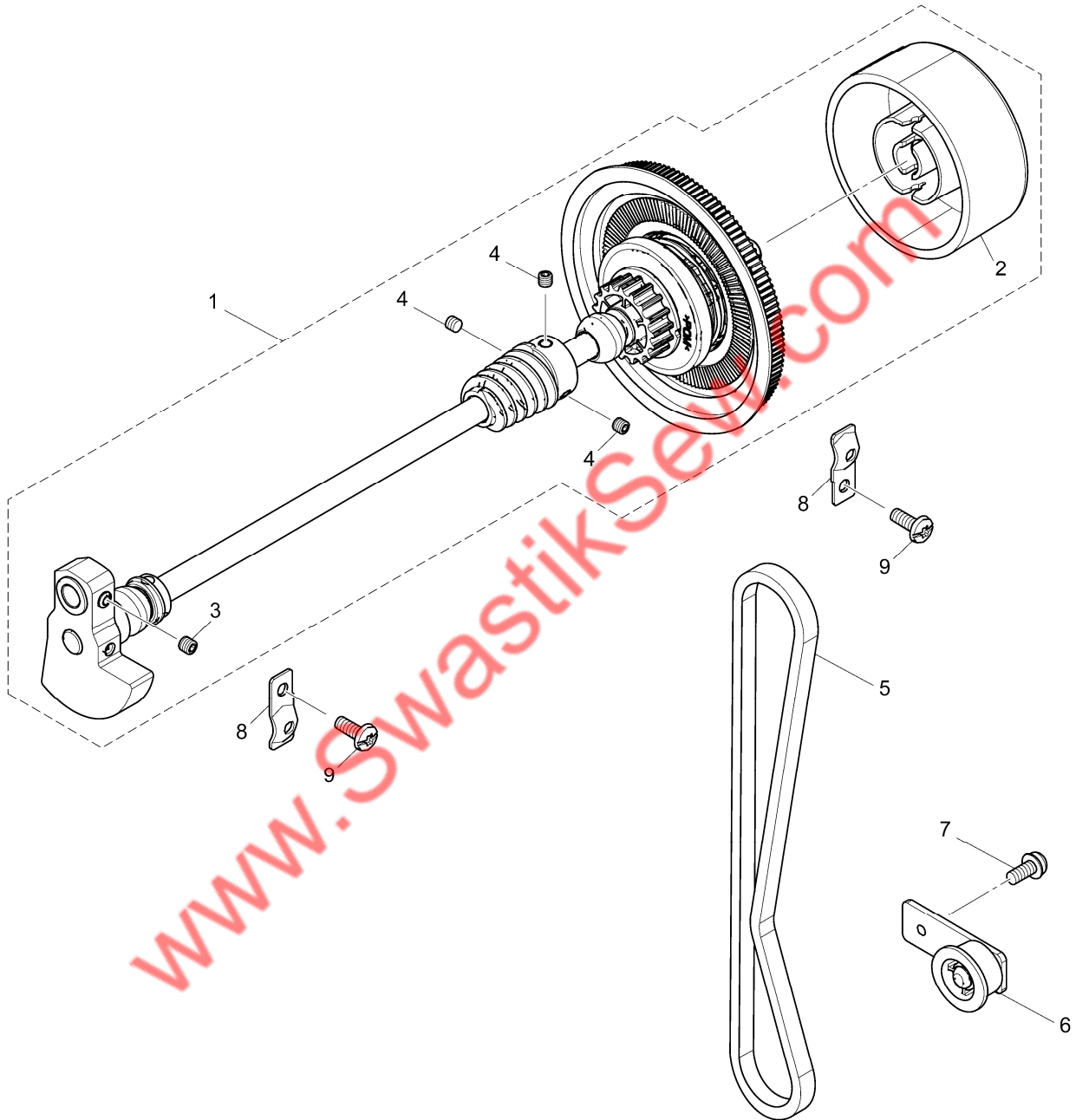
(1) MAIN FRAME / COVER



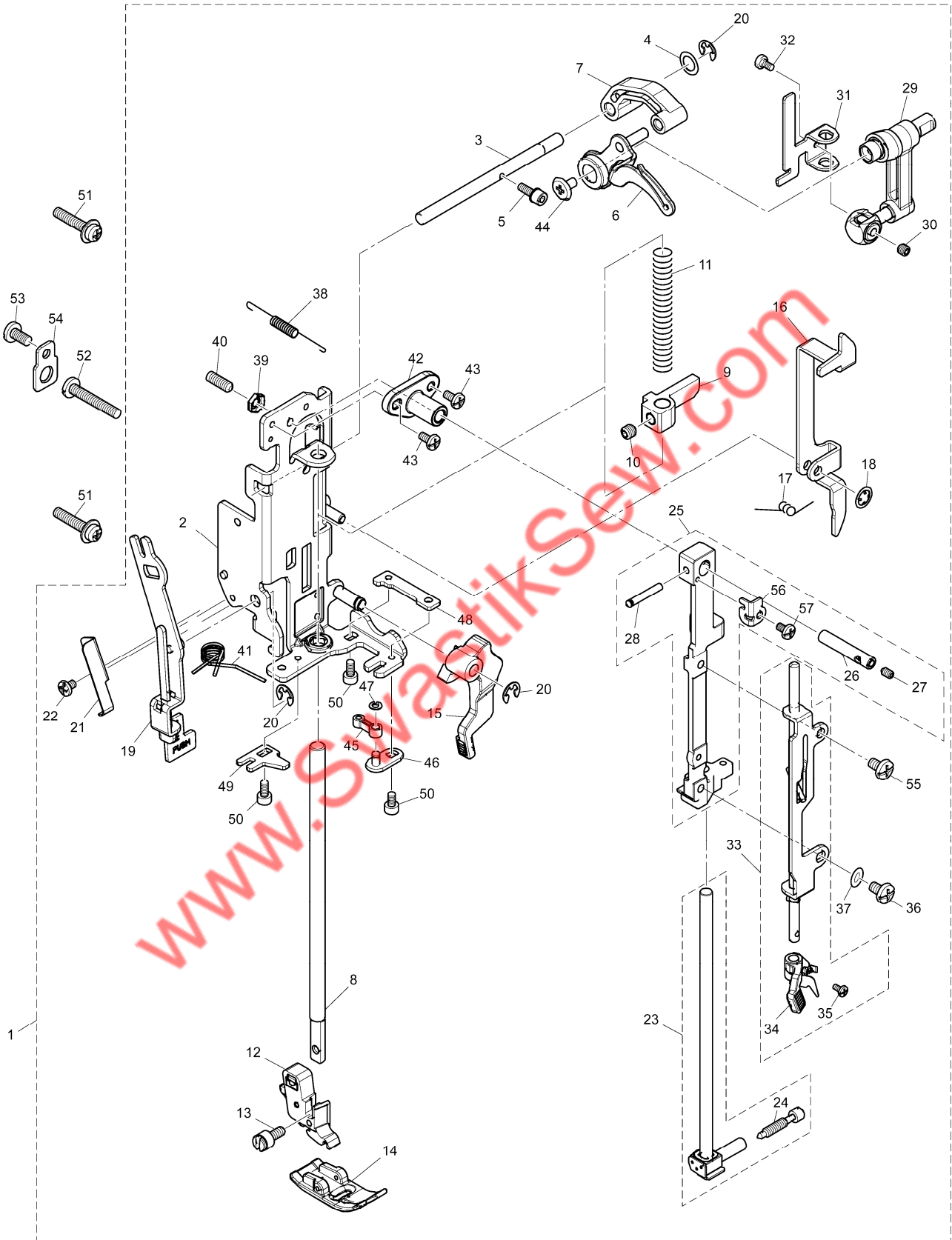
(1) MAIN FRAME / COVER

No.	CODE	NAME	REMARKS	No.	CODE	NAME	REMARKS
1	XF0913101	REAR COVER	1000035216		XE9612104	PATTERN SELECTING DIAL (LX37NT)	1000033213
2	XC4846121	THREAD GUIDE ASSY	1000030524		XE9612103	PATTERN SELECTING DIAL (BN37, ModerN 39A)	1000033213
3	085411016	TAPTITE BIND B M4X10			XE9612106	PATTERN SELECTING DIAL (XM3710, BB370, XR3774, XL3850)	1000033213
4	XF7875001	BOBBIN PRESSER	1000047763		XE9612107	PATTERN SELECTING DIAL (XL3700, artwork37A)	1000033213
5	XF7196001	TAPTITE PAN P (S/P W) 3X14	1000037417		XF3565101	PATTERN SELECTING DIAL (GS3750)	1000033213
6	XE6223001	SPOOL PIN			XE9612108	PATTERN SELECTING DIAL (VitrageM79)	
7	XA0628121	SPOOL PIN SPRING					
8	XC4077021	BASE PLATE RUBBER		33	XG0197001	LOWER THREAD GUIDE LABEL	1000043264
9	XF1737001	SHEET D	1000027553				
10	XA8851021	SPOOL PIN STAND					
11	XE9350101	FACE PLATE	1000035216				
12	XE9351001	FACE PLATE CUTTER HOLDER					
13	X80321021	NT LOWER THREAD CUTTER					
14	085311016	TAPTITE BIND B M3X10					
15	XE9353101	FRONT COVER					
16	XE9611001	DECORATION PLATE (XM3700)					
	XF0988001	DECORATION PLATE (LX37NT)	1000026073				
	XF1142001	DECORATION PLATE (BN37)	1000026236				
	XF1275001	DECORATION PLATE (XM3710)	1000026754				
	XF2804001	DECORATION PLATE (XL3700)	1000028961				
	XF3299001	DECORATION PLATE (GS3750)	1000029421				
	XF4868001	DECORATION PLATE (BB370)	1000031989				
	XF5507001	DECORATION PLATE (ModerN 39A)	1000032854				
	XF9897001	DECORATION PLATE (artwork37A)	1000042422				
	XF9627001	DECORATION PLATE (XR3774)	1000041857				
	XG1105001	DECORATION PLATE (XL3850)	1000044805				
	XG2255001	DECORATION PLATE (VitrageM79)					
	XG3581001	DECORATION PLATE (ArtCity300A)					
17	XE9690001	LED LAMP SUPPLY ASSY:GA					
18	XC3506021	LED LAMP HOLDER R					
19	085311016	TAPTITE BIND B M3X10					
20	146200021	RETAINING RING, CS4					
21	138337022	RUBBER CUSHION A					
22	026350235	WASHER PLAIN M 3.5					
23	083361216	TAPTITE PAN B M3.5X12					
24	XC4077021	BASE PLATE RUBBER					
25	XF1737001	SHEET D	1000028329				
26	XE9853004	SHEET (XM3700)	1000027553				
27	XD0573021	WASHER					
28	XA3337022	TAPTITE,CUP P M4X20					
29	0A5401006	SCREW PAN (S/P WASHER) M4X10					
30	085301616	TAPTITE BIND P M3X16					
31	XE9533101	ACCESSORY TABLE	1000035701				
32	XE9612102	PATTERN SELECTING DIAL (XM3700, ArtCity300A)	1000046567				

(2) UPPER SHAFT MECHANISM



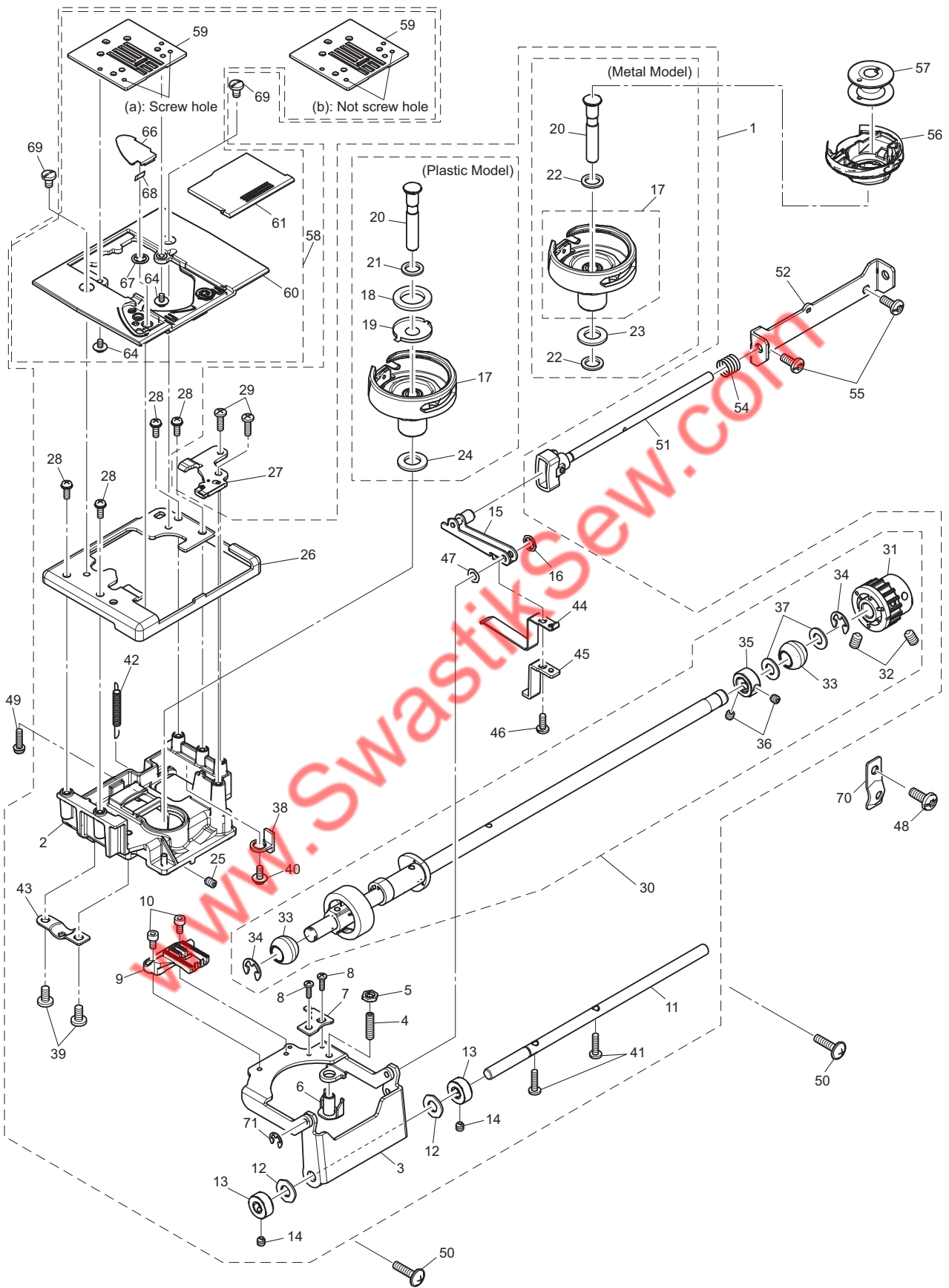
(3) NEEDLE BAR / PRESSER FOOT UNIT



(3) NEEDLE BAR / PRESSER FOOT UNIT

No.	CODE	NAME	REMARKS	No.	CODE	NAME	REMARKS
1	XE9703001	NEEDLE UNIT SUPPLY ASSY GA		45	XE9456001	NEEDLE BAR SUPPORTER ARM	
2	XE9120001	BASE HOLDER ASSY		46	XE9457001	NEEDLE SHAFT HOLDER ASSY	
3	XE9122001	SHAFT		47	048020346	RETAINING RING E2	
4	XZ5030001	WASHER,SPRING		48	XE9734101	STOPPER PLATE R	1000027920
5	XC3338021	SCREW3X8		49	XE9461001	STOPPER L	
6	XC8564031	THREAD TAKE-UP LEVER		50	018300636	BOLT SOCKET M3X6	
7	XF3412001	THREAD TAKE-UP LEVER LINK	1000036838	51	XZ0074021	TAPTITE,CUP S 4X16	
8	XC6565121	PRESSER BAR		52	XE9462001	CUP SCREW M3X20	
9	XE9692001	PRESSER BAR CLAMP		53	060400816	SCREW BIND M4X8	
10	014500532	SET SCREW SOCKET (CP) M5X5		54	XE9464001	STOPPER PLATE	
11	XC4900021	SPRING		55	XF0151001	THREAD GUIDE PLATE ASSY SCREW	1000024888
12	XE2555101	PRESSER FOOT HOLDER ASSY		56	XF0392001	PLATE	1000025590
13	XG1343001	SCREW SM3.57-40X8	1000045722	57	060300516	SCREW BIND M3X5	1000025590
14	XC4901121	ZIGZAG PRESSER FOOT	1000026420				
15	XE9129001	PRESSER FOOT LIFTER					
16	XE9130001	THREAD RELEASE LEVER					
17	XC4904121	SPRING					
18	146200021	RETAINING RING, CS4					
19	XE9131001	BH LEVER HOLDER ASSY					
20	048040346	RETAINING RING E4					
21	XE9135001	BH SPRING					
22	060300616	SCREW BIND M3X6					
23	XE3825002	NEEDLE BAR ASSY N					
24	XE3827001	NEEDLE CLAMP SCREW					
25	XE9137101	NEEDLE BAR SUPPORTER ASSY	1000025590				
26	XE9139101	NEEDLE BAR SUPPORTER SHAFT	1000025590				
27	014300532	SET SCREW SOCKET (CP) M3X5					
28	XC2420020	SHAFT	1000025590				
29	XZ5094101	NEEDLE BAR CRANK ROD ASSY	1000032405				
30	012400432	SET SCREW SOCKET (FT) M4X4					
31	XE9150201	NEEDLE THREAD POSITION SETTER	1000027477				
32	XZ5106201	SCREW. M2.6	1000028005				
33	XE9142001	THREAD GUIDE PLATE ASSY					
34	XE9147101	NEEDLE THREAD LEVER ASSY	1000053363				
35	0A2260606	SCREW PAN (P WASHER) M2.6X6	1000026392				
36	060400616	SCREW BIND M4X6	1000024888				
37	026040236	WASHER, PLAIN M 4	1000040956				
38	XE9140001	SPRING					
39	X56851021	LOCK NUT					
40	014401232	SET SCREW SOCKET (CP) M4X12					
41	XE9141101	SPRING	1000024992				
42	XE9455001	SHAFT BUSHING					
43	060300616	SCREW BIND M3X6					
44	XE1999001	SCREW, FLAT SM3.57-40X7 L					

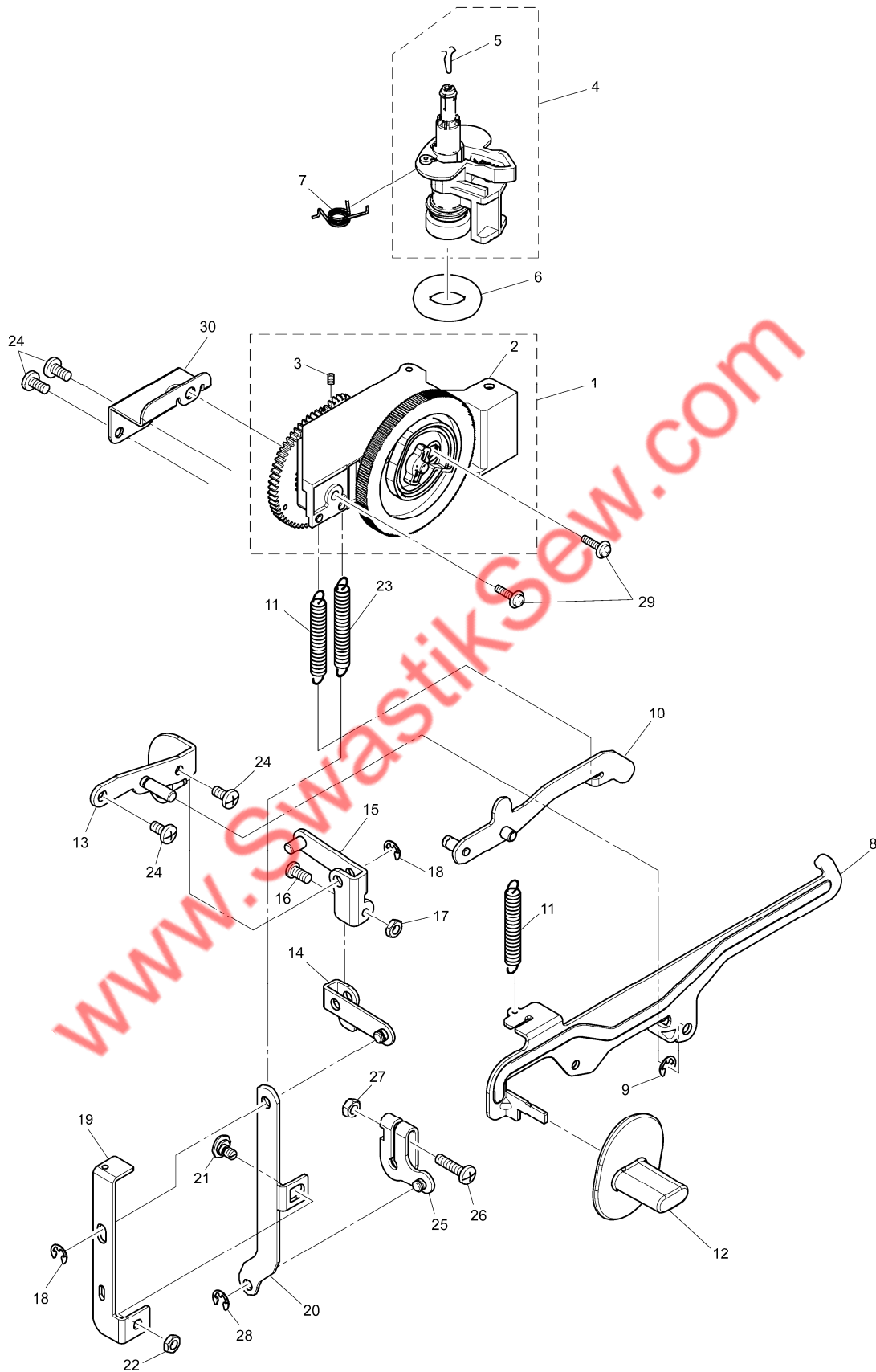
(4) FEED UNIT



(4) FEED UNIT

No.	CODE	NAME	REMARKS	No.	CODE	NAME	REMARKS
1	XF2351001	FEED UNIT SUPPLY ASSY GA P1 (Plastic Model)	1000028399	39	060400816	SCREW BIND M4X8	
	XF2285001	FEED UNIT SUPPLY ASSY GA M1 (Metal Model)	1000028399	40	0A5300806	SCREW PAN (S/P WASHER) M3X8	
2	XF1462001	FEED HOLDER	1000025522	41	060301206	SCREW BIND M3X12	
3	XE9297101	FEED STAND SUB ASSY		42	XE9836001	SPRING	
4	XE9726101	SET SCREW SOCKET (FT) M4X17	1000026902	43	XC2567021	BUSHING PRESSER A	1000025522
5	X56851021	LOCK NUT		44	XC4927021	FEED SUPPORTING PLATE	
6	XE9302301	V FEED ATTACHMENT	1000028349	45	XC4928120	FEED SUPPORTING PLATE B	
7	XE9835001	FEED STAND SUPPORTER		46	060300816	SCREW BIND M3X8	
8	060300416	SCREW BIND M3X4		47	137999020	POLYESTER SLIDER	
9	XE9303001	FEED DOG		48	X57908021	TAPTITE,BIND S M4X10	1000024373
10	018300532	BOLT SOCKET M3X5	1000051958	49	XC7568051	SCREW, PAN(S/P WASHER)M4X14	1000024373
11	XE9304001	HORIZONTAL FEED SHAFT		50	XZ0074021	TAPTITE,CUP S 4X16	
12	X50546020	WASHER,THRUST		51	XE9322001	FEED ADJUSTER SUB ASSY	
13	130676121	SET SCREW COLLAR		52	XE9325001	FEED ADJUSTING SHAFT HOLDER	
14	014400432	SET SCREW SOCKET (CP) M4X4		53	048040346	RETAINING RING E4	1000025441
15	XC4924021	FEED ARM ASSY		54	XE9731001	SPRING	
16	X56655021	RETAINING RING: CSTW-3.5	1000026999	55	060400816	SCREW BIND M4X8	
17	XG4230001	OUTER ROTARY HOOK ASSY (Plastic Model)	1000054757	56	XG4227002	INNER ROTARY HOOK ASSY	1000054757
	XE9837001	OUTER ROTARY HOOK ASSY (Metal Model)	1000026073	57	X52800120	BOBBIN	
18	XC0063021	MAGNET (Plastic Model)		58	XE9328201	NEEDLE PLATE ASSY	1000026392
19	XC8989020	WASHER (Plastic Model)		59	XE9329001	NEEDLE PLATE A (a)	
20	XE9308001	OUTER ROTARY HOOK SHAFT			XG2112201	NEEDLE PLATE A (b)	1000054464
21	X53183021	WASHER (Plastic Model)		60	XE9330101	NEEDLE PLATE B	1000026392
22	137805022	SPACER (Metal Model)	1000026073	61	XF2404001	SLIDE PLATE SUPPLY ASSY	1000028665
23	137976021	WASHER 6 (Metal Model)	1000026073	62	XE9332004	STOPPER PLATE R	1000047897
24	X51383020	WASHER,THRUST (Plastic Model)		63	XE9333004	STOPPER PLATE M	1000047897
25	014400632	SET SCREW SOCKET (CP) M4X6		64	0A5260606	SCREW PAN (S/P WASHER) M2.6X6	
26	XE9467001	BASE PLATE		65	060260316	SCREW BIND M2.6X3	1000047897
27	XE9312301	INNER ROTARY HOOK PLATE ASSY	1000025632	66	XE9334001	CUTTER COVER	
28	0A1300806	SCREW PAN (P WASHER) M3X8		67	120454021	RETAINING RING,CS3	
29	060300616	SCREW BIND M3X6		68	X80321021	NT LOWER THREAD CUTTER	
30	XE9315101	LOWER SHAFT ASSY	1000028027	69	XE9735001	SCREW NEEDLE PLATE	
31	XC4943021	TIMING PULLEY D		70	132421021	BUSHING PRESSER	
32	014500532	SET SCREW SOCKET (CP) M5X5		71	120454021	RETAINING RING, CS3	
33	X52664020	LOWER SHAFT BUSHING					
34	048060346	RETAINING RING E6					
35	137768121	SET SCREW COLLAR					
36	014400432	SET SCREW SOCKET (CP) M4X4					
37	X51383020	WASHER,THRUST					
38	XE9727001	FEED ARM SUPPORTER					

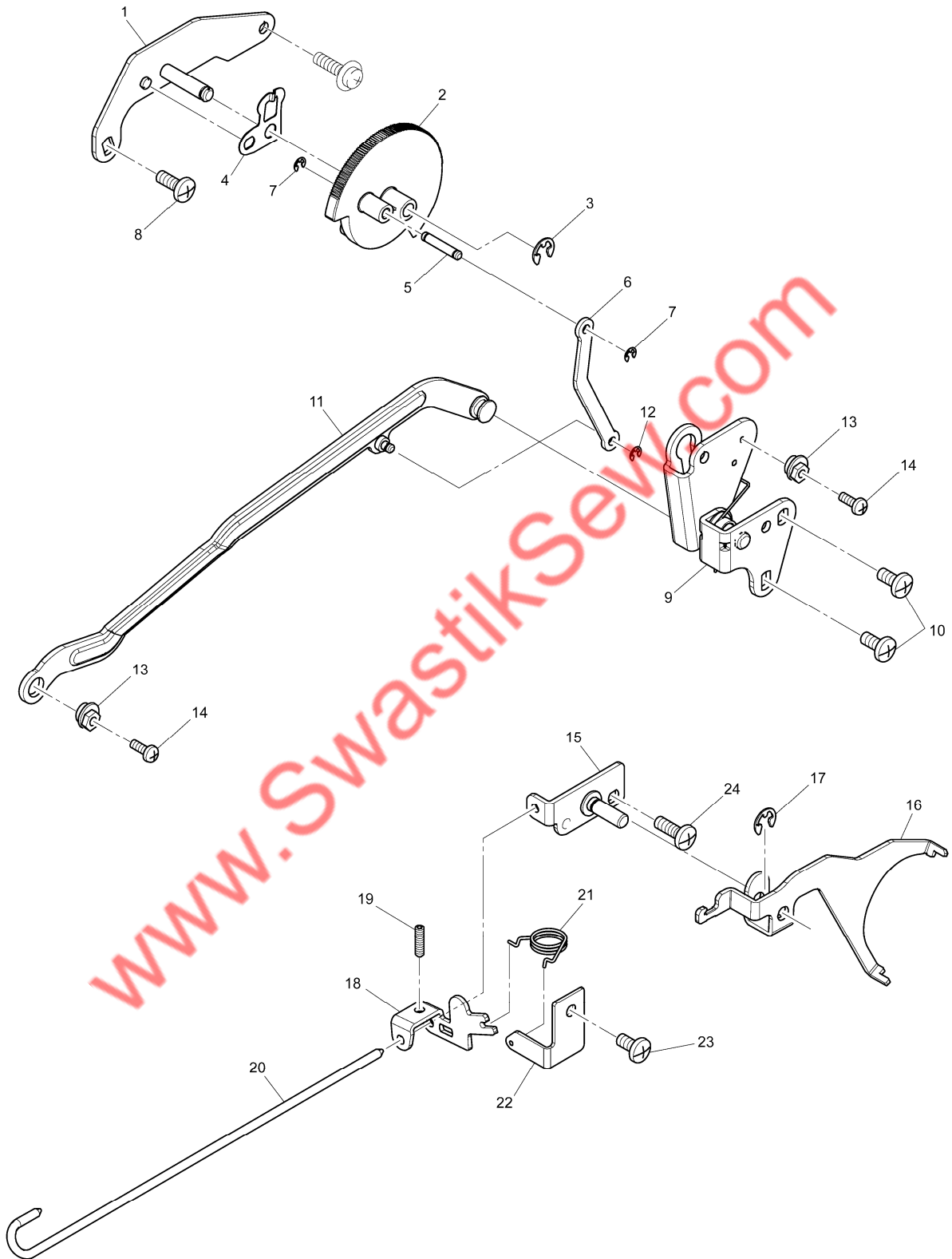
(5) FEED CONTROL MECHANISM



(5) FEED CONTROL MECHANISM

No.	CODE	NAME	REMARKS
1	XE9235201	FEED BRACKET SUB ASSY	1000025898
2	XE9236101	FEED BRACKET	1000025666
3	014400432	SET SCREW SOCKET (CP) M4X4	
4	XE9242001	BOBBIN WINDER ASSY	
5	XZ5039001	BOBBIN WINDER SHAFT SPRING	
6	120448021	BOBBIN WINDER RUBBER BAND	
7	XE9245001	BOBBIN WINDER SPRING	
8	XF0361101	REVERSE SEWING LEVER A	1000031709
9	048040346	RETAINING RING E4	
10	XE9247001	REVERSE SEWING LEVER B ASSY	
11	XA8111021	SPRING	1000026547
12	XE9249201	REVERSE SEWING BUTTON	1000035701
13	XE9251101	LEVER HOLDER SUB ASSY	1000026547
14	XE9793001	REVERSE SEWING LEVER C ASSY	
15	XE9258001	REVERSE SEWING LEVER D ASSY	
16	XA2615021	SCREW	
17	X56960021	NUT 4	
18	048040346	RETAINING RING E4	
19	XE9785001	CONNECTING ROD U	
20	XE9786101	CONNECTING ROD D	1000026996
21	XE9787001	REVERSE SEW ADJUSTING SCREW	
22	X56960021	NUT 4	
23	XE9262201	SPRING EXTENSION C	
24	X57908021	TAPTITE,BIND S M4X10	
25	XE9263001	FEED CONNECTING LEVER ASSY	
26	060401616	SCREW BIND M4X16	
27	021400206	NUT 2 M4	
28	048040346	RETAINING RING E4	
29	XC7567051	SCREW, PAN(S/P WASHER)M4X12	
30	XE9649001	FEED BRACKET SUPPORT PLATE	

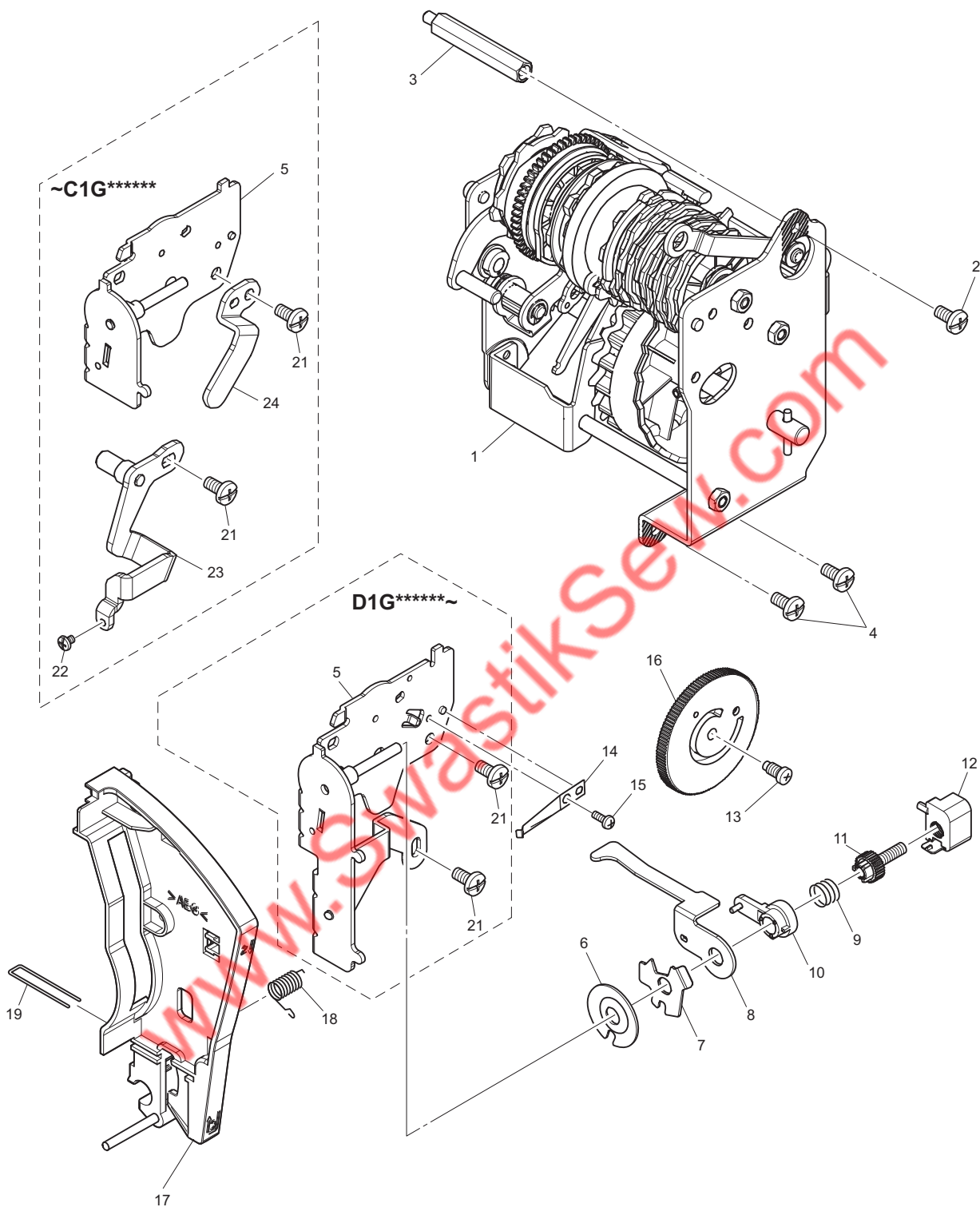
(6) ZIGZAG / BUTTONHOLE MECHANISM



(6) ZIGZAG / BUTTONHOLE MECHANISM

No.	CODE	NAME	REMARKS
ZIGZAG MECHANISM			
1	XE9152001	Z DIAL HOLDER ASSY	
2	XE9155101	Z DIAL	
3	048040346	RETAINING RING E4	
4	XE9157101	NOTCHED SPRING	
5	XD0945051	ES PIN F-B	
6	XE9159001	Z DIAL CONNECTING ROD	
7	048020346	RETAINING RING E2	
8	X57908021	TAPTITE,BIND S M4X10	
9	XE9160101	ZIGZAG LINK HOLDER ASSY Z5R	1000026994
10	X57908021	TAPTITE,BIND S M4X10	
11	XE9166001	ZIGZAG CONNECTING ROD ASSY	
12	048020346	RETAINING RING E2	
13	X50559020	ZIGZAG ADJUSTING NUT	
14	062301006	SCREW PAN M3X10	
BUTTONHOLE MECHANISM			
15	XE9170201	BH STOPPER HOLDER ASSY	1000030191
16	XE9173201	BH STOPPER	1000030431
17	048040346	RETAINING RING E4	
18	XE9174001	BH CHANGE ARM	
19	012401032	SET SCREW SOCKET (FT) M4X10	
20	XE9175001	BH CONNECTING SHAFT	
21	XE9700201	BH SPRING	1000030425
22	XE9176001	BH ADJUSTING PLATE	
23	XC7566051	SCREW, PAN (S/P WASHER) M4X8	1000050179
24	X57908021	TAPTITE,BIND S M4X10	
25	048025346	RETAINING RING E2.5	1000024874
26	026350235	WASHER PLAIN M 3.5	1000024874

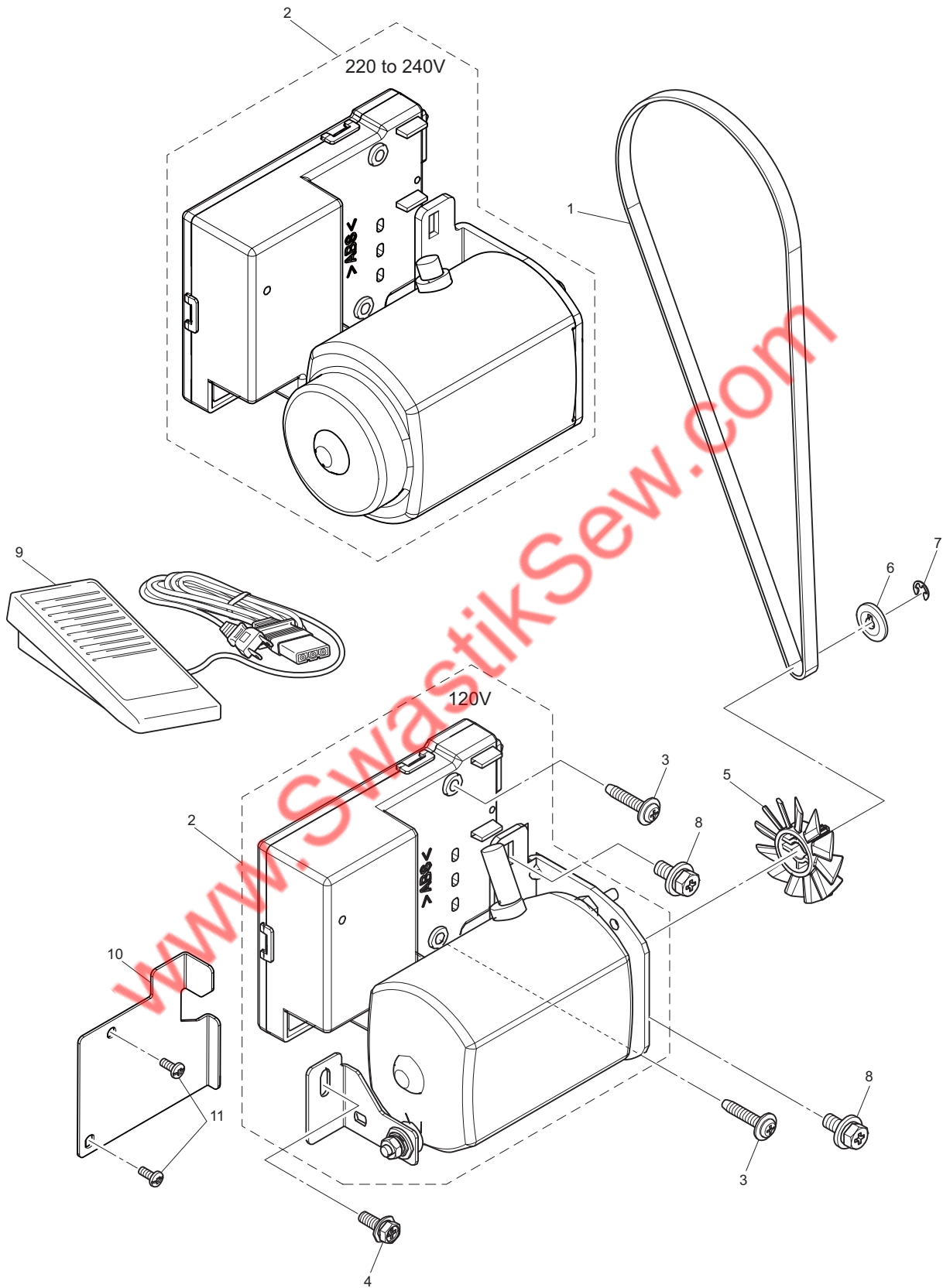
(7) PATTERN SELECTING / NEEDLE THREADING MECHANISM



(7) PATTERN SELECTING / NEEDLE THREADING MECHANISM

No.	CODE	NAME	REMARKS
PATTERN SELECTING MECHANISM			
1	XE9552101	PATTERN SELECTING UNIT ASSY	1000030245
2	060400816	SCREW BIND M4X8	
3	XC0264021	SCREW,HEXAGON M4X40.5	
4	X57908021	TAPTITE,BIND S M4X10	
NEEDLE THREADING MECHANISM			
5	XE9283001	THREAD TENSION HOLDER ASSY (~C1G*****)	
	XE9956101	THREAD TENSION HOLDER ASSY (D1G*****~)	1000045502
6	XA0083121	TENSION DISC A	
7	XE9732001	TENSION PLATE	
8	XE9286001	TENSION RELEASE PLATE	
9	X55842021	SPRING	
10	XE9287001	SPRING HOLDER	
11	XE9288001	THREAD TENSION ADJUSTING SCREW	
12	XE9289001	THREAD TENSION NUT	
13	XC9234021	TENSION DIAL SHAFT	
14	X56839021	NOTCHED SPRING	
15	062300416	SCREW PAN M3X4	
16	XE9290101	THREAD TENSION DIAL	1000039620
17	XE9728301	THREAD GUARD COVER ASSY	1000045502
18	XE9100001	THREAD TAKE UP SPRING	
19	XE9102001	THREAD GUIDE WIRE	
20	0A5300606	SCREW PAN (S/P WASHER) M3X6	1000045502
21	060400816	SCREW BIND M4X8	1000025210
22	0A4300605	SCREW PAN (S/P WASHER) M3X6 (~C1G*****)	
23	XE9811001	THREAD GUARD SUPPORTER ASSY (~C1G*****)	
24	XE9887001	REVERSE LEVER SUPPORTER (~C1G*****)	
25	XE9874004	SCREW, HEXAGON M4X17.5 (D1G*****~)	1000033216

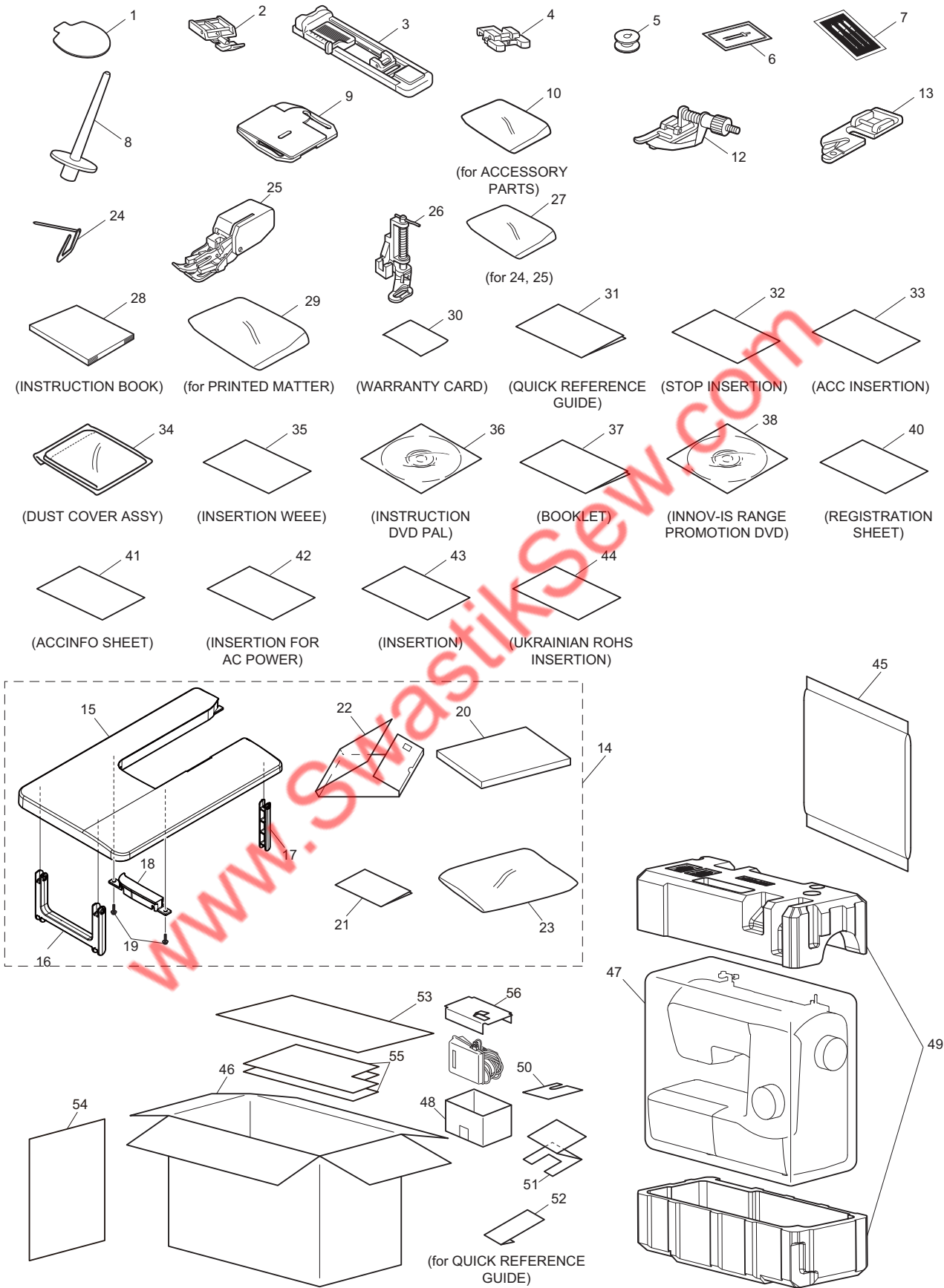
(8) MAIN MOTOR UNIT



(8) MAIN MOTOR UNIT

No.	CODE	NAME	REMARKS
1	XE9177001	TIMING BELT 2M-506-5	
2	XE9691001	MOTOR 3P SUPPLY ASSY GA 120 (120V) (CAN)	
	XF1705001	MOTOR 3P SUPPLY ASSY GA 120#2 (120V) (USA)	
	XF0924001	MOTOR 3P SUPPLY ASSY GA 220 (220V)	1000029421
	XF0844001	MOTOR 3P SUPPLY ASSY GA 230 (230V)	1000026073
3	XG1352001	TAPTITE PAN B (S/P W) 4X21	1000045911
4	XA8474021	UPSET 4X12 DB (120V)	
5	XE9182001	MOTOR T-PULLEY 14	
6	XE9183001	FRANGE	
7	048030346	RETAINING RING E3	
8	XA3004021	BOLT,(S/P WASHER) M5X12	
9	XE5369001	FOOT CONTROLLER:KD-1902 (USA, MEX, CAN)	
	XC7456521	FOOT CONTROLLER:KD-2902UK (UK)	1000043071
	XD0105021	FOOT CONTROLLER:KD-2902 CHN (CHN)	1000029421
	XD0112221	FOOT CONTROLLER:KD-2902IRAM (ARG)	1000053357
	XC7359021	FOOT CONTROLLER:KD-1902 (BB370: USA, XL3850 (888X08): USA)	1000046330
	XC7438521	FOOT CONTROLLER:KD-2902 (OTHER)	1000053083
10	XE9650101	LOWER SHAFT PLATE	1000046124
11	X57908021	TAPTITE,BIND S M4X10	

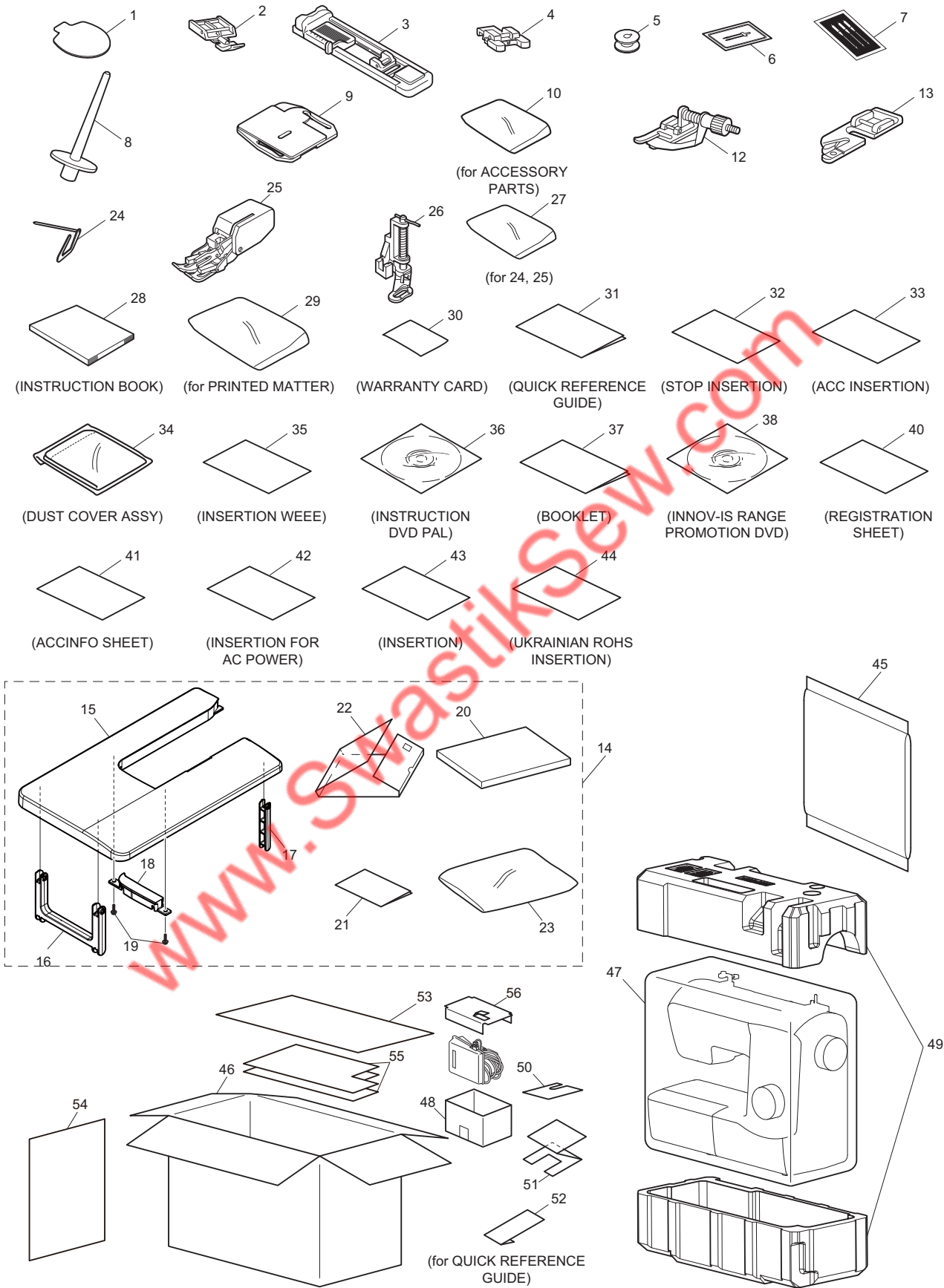
(9) ACCESSORY PARTS / USER MANUAL / PACKAGE



(9) ACCESSORY PARTS / USER MANUAL / PACKAGE

No.	CODE	NAME	REMARKS	No.	CODE	NAME	REMARKS
ACCESSORY PARTS							
1	XE5241001	NEEDLE PLATE FIXING METAL			XF9777001	INSTRUCTION BOOK KAZ ASSY (Kazakh)	1000043864
2	XE9369001	ZIPPER FOOT		29	130800021	BAG 230X310H	
3	XD1792031	BUTTON HOLE FOOT ASSY		30	XF5055001	STANDARD WARRANTY FOR US (USA, MEX)	1000032973
4	XE2137001	BUTTON SEWING FOOT			XE8671001	WARRANTY CARD BROTHER CANADA (CAN)	1000026754
5	X52800120	BOBBIN			XF6323101	2&5 WARRANTY FOR US (USA)	1000038646
6	X57521021	NEEDLE PACKAGE (1 PCE)		31	XE9472001	QUICK REFERENCE GUIDE EN (XM3700, XL3700, BB370, XR377, XL3850)	
7	XE5328001	NEEDLE SET(3PCS)			XF0633001	QUICK REFERENCE GUIDE (XM3710)	1000026754
8	XE2241001	EXTRA SPOOL PIN			XF1710001	QUICK REFERENCE GUIDE (GS3750)	1000029421
9	XC6063021	FEED DOG COVER			XF0488101	QUICK REFERENCE GUIDE (OTHER)	1000028475
10	XD0789021	BAG,120X135C	1000045639	32	XE9618001	STOP INSERTION A5 (XM3700, BB370, XR3774)	
11	XC4487024	ACCESSORY BAG (LX37NT, BN37, GS3750, ModerN 39A, artwork37A)	1000045639	33	XE9619001	ADDITIONAL ACC INSERTION XM370 (XM3700, BB370)	
12	XE6081001	BLIND STITCH FOOT			XF1278001	ADDITIONAL ACC INSERTION XM371 (XM3710)	1000026754
13	X59371021	NARROW HEMMER FOOT (XM3710, XR3774, XL3850)	1000026754		XF1322101	ADDITIONAL ACC INSERTION BM370 (XL3700)	1000030420
14	XF1330001	WIDE TABLE CARTON ASSY (XR3774, XL3850)	1000041857		XF1333101	ADDITIONAL ACC INSERTION BM385 (XL3850 (888X08): USA)	
15	XF1019201	WIDE TABLE (XR3774, XL3850)	1000041857	34	XA2112022	DUST COVER ASSY (LX37NT, BN37, GS3750, ModerN 39A, artwork37A, VitrageM79, ArtCity300A)	1000026073
16	XF1021101	WIDE TABLE FOOT (XR3774, XL3850)	1000041857		XC8973021	DUST COVER ASSY (XM3710, XL3700)	1000026754
17	XF1283101	WIDE TABLE FOOT SUB (XR3774, XL3850)	1000041857	35	XF0300101	INSERTION WEEE	1000034545
18	XF1022101	WIDE TABLE SPACER (XR3774, XL3850)	1000041857	36	XF0640001	INSTRUCTION DVD PAL (LX37NT, BN37, ModerN 39A, artwork37A, ArtCity300A)	1000026073
19	087411416	TAPTITE CUP B M4X14 (XR3774, XL3850)	1000041857		XF1277001	INSTRUCTION DVD NTSC (XM3710, XR3774, XL3850)	1000026754
20	XF1332001	WIDE TABLE CARTON (XR3774, XL3850)	1000041857		XF0641001	INSTRUCTION/RECIPE DVD PAL (GS3750)	1000029421
21	XF1842001	INSTRUCTION MANUAL (XR3774, XL3850)	1000041857	37	XG2064001	BOOKLET PV (LX37NT, BN37, GS3750, ModerN 39A, artwork37A, VitrageM79, ArtCity300A)	1000051280
22	XF1069101	PAD (XR3774, XL3850)	1000041857	38	XE6308001	INNOV-IS RANGE PROMOTION DVD (LX37NT, BN37, GS3750)	1000026073
23	X61231021	BAG 400X500H (XR3774, XL3850)	1000041857	39	XC1885021	MANUAL (XM3710, XL3700)	1000036683
24	X59819021	QUILTER (XR3774, XL3850, XL3850)	1000041857	40	XE9639001	REGISTRATION SHEET (USA)	1000029848
25	XD1819121	QUILTING FOOT (XR3774, XL3850)	1000041857	41	XC7488121	ACCINFO SHEET	1000031989
26	XE2785002	WALKING FOOT ASSY (XR3774, XL3850)	1000041857	42	XF3999101	INSERTION FOR AC POWER	1000031989
	XE1678201	WALKING FOOT ASSY H 7MM (XL3850 (888X08): USA)		43	XF6550001	STOP INSERTION CANADA (CAN)	1000036767
27	X57367021	BAG 135X150 (XR3774, XL3850)	1000041857		XF0404001	INSERTION (BB370)	1000031989
USER MANUAL				44	XE9897001	UKRAINIAN ROHS INSERTION (RUS)	1000032854
28	XF5132101	MYLAR INSTRUCTION ASSY (BB370 for English / Spanish)	1000033594	45	XC9960021	SEWING MACHINE CASE ASSY (XR3774, XL3850)	1000041857
	XF4391201	INSTRUCTION BOOK ENG/SPA (English / Spanish)	1000041788				
	XF0490101	INSTRUCTION BOOK ENG (English)	1000033345				
	XF0550101	INSTRUCTION BOOK POL (Polish)	1000035413				
	XF0551101	INSTRUCTION BOOK RUM (Romanian)	1000035413				
	XF0552101	INSTRUCTION BOOK CZE (Czech)	1000035413				
	XF0553101	INSTRUCTION BOOK HUN (Hungarian)	1000035413				
	XF5720001	INSTRUCTION BOOK FRE (French)	1000033595				
	XF1707001	INSTRUCTION BOOK SC (Chinese)	1000029421				
	XF9775001	INSTRUCTION BOOK RUS ASSY (Russian)	1000043864				
	XF0499101	INSTRUCTION BOOK UKR (Ukrainian)	1000053476				

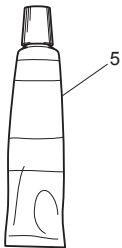
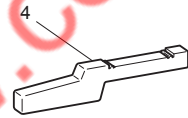
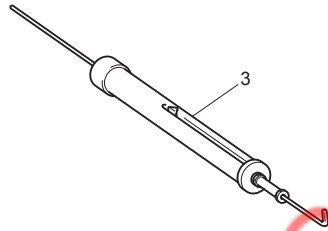
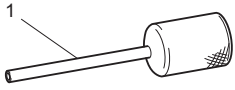
(9) ACCESSORY PARTS / USER MANUAL / PACKAGE



(9) ACCESSORY PARTS / USER MANUAL / PACKAGE

No.	CODE	NAME	REMARKS
PACKAGE			
46	XE9614201	COLOR CARTON MODEL:XM3700 (XM3700)	1000035001
	XF0997101	CARTON MODEL:LX37NT (LX37NT)	1000035417
	XF5756001	COLOR CARTON MODEL:BN37 (BN37)	1000034024
	XF1279101	COLOR CARTON MODEL:XM3710 (XM3710)	1000035001
	XF2807101	COLOR CARTON MODEL:XL3700 (XL3700)	1000035001
	XF3301101	COLOR CARTON MODEL:GS3750 (GS3750)	1000035727
	XF4869101	COLOR CARTON MODEL:BB370 (BB370)	1000035001
	XF5509101	COLOR CARTON MODE:MODERN 39A (ModerN 39A)	1000034947
	XF9900001	COLOR CARTON MODE:ARTWORK37A (artwork37A)	1000042422
	XF9624001	COLOR CARTON MODEL:XR3774 (XR3774)	1000041857
	XG1108001	COLOR CARTON MODEL:XL3850 (XL3850)	1000044805
	XG2258001	COLOR CARTON MODE:VITRAGEM79 (VitrageM79)	
	XG3584101	CARTON MODEL:ARTCITY300A (ArtCity300A)	1000051565
47	XE9881001	BAG 630X630H	
48	X60726020	FOOT CONTROLLER BOX	
49	XE9476001	PS FOAM PAD ASSY X06 (885X08)	
	XF5713001	PS FOAM PAD ASSY X06 (888X08)	1000033552
50	XZ5028001	NEEDLE BAR PAD D	
51	XF0122001	PRESSER PAD	
52	XF1795001	PAPER BAND (XM3700, XM3710, XL3700, XR3774, XL3850)	1000027467
53	XF1339001	PAD A (885X08)	1000031511
54	XF1340001	PAD B (885X08)	1000031511
55	XF3307001	PAD D (885X08)	1000031511
56	XE5479001	CONTROLLER PAD D	1000031989

SPARE PARTS



www.SwastikSew.com

brother

www.SwastikaSew.com