

# brother

Home Embroidery Machine

# PARTS REFERENCE LIST

---

**MODEL: BP3600**

**CONFIDENTIAL**

©2019 Brother Industries, Ltd.  
All rights reserved.

Published: Jul.,2019  
Revised: -





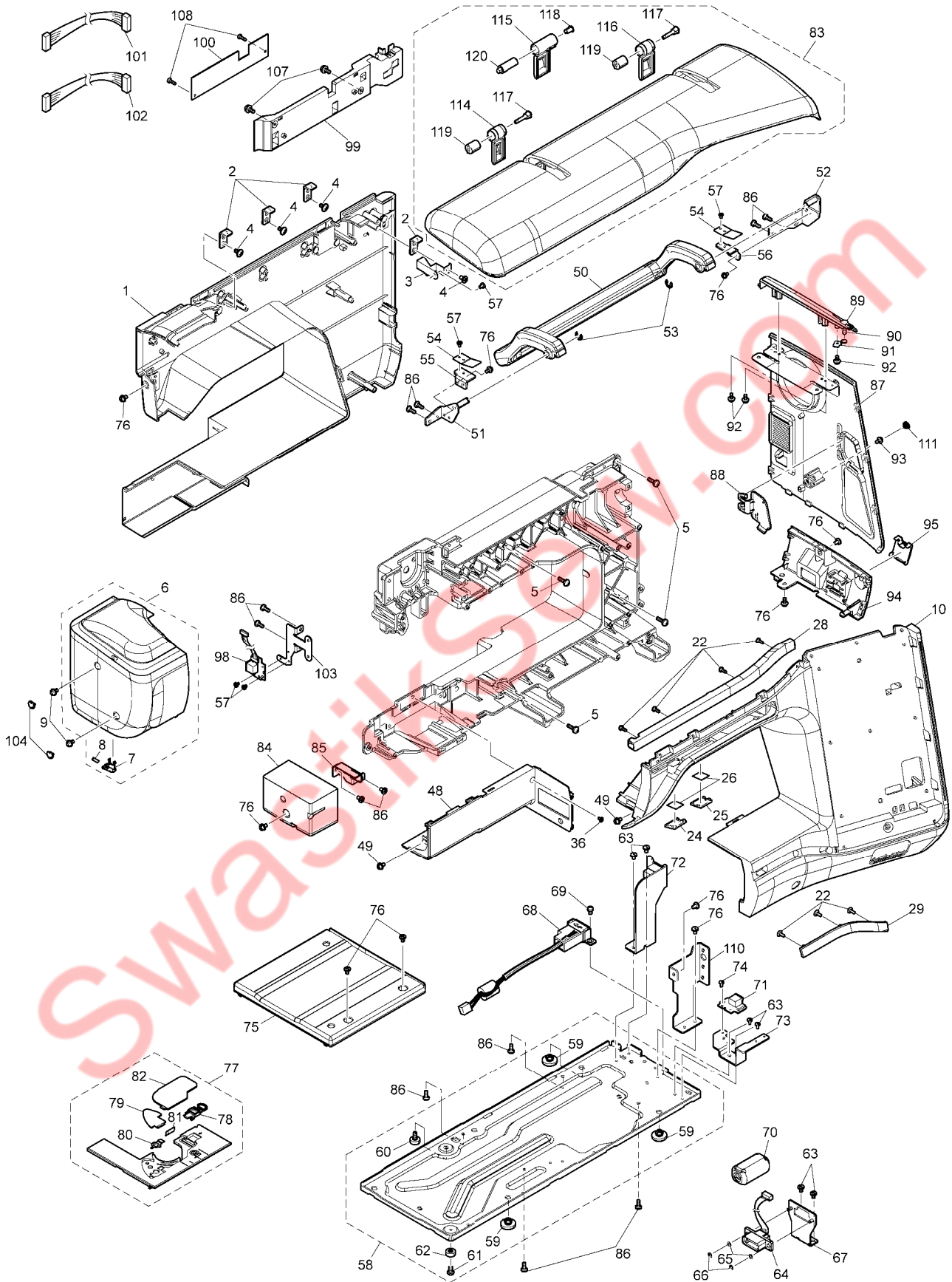
# CONTENTS

|  |    |
|--|----|
| (1) MAIN FRAME / COVER .....                         | 2  |
| (2) UPPER SHAFT / NEEDLE BAR / PRESSER FOOT UNIT ... | 6  |
| (3) FEED / THREAD CUTTING UNIT .....                 | 8  |
| (4) LOWER SHAFT / BOBBIN WINDING MECHANISM.....      | 10 |
| (5) NEEDLE THREADING MECHANISM .....                 | 12 |
| (6) ELECTRIC PARTS / MAIN MOTOR UNIT .....           | 14 |
| (7) EMBROIDERY UNIT .....                            | 16 |
| (8) ACCESSORY PARTS .....                            | 22 |
| (9) USER MANUAL / OTHER PARTS / PACKAGE .....        | 24 |
| NEEDLE-PRESSER MODULE.....                           | 26 |
| FEED MODULE.....                                     | 30 |
| THREAD CUTTER MODULE .....                           | 32 |
| SPARE PARTS.....                                     | 34 |

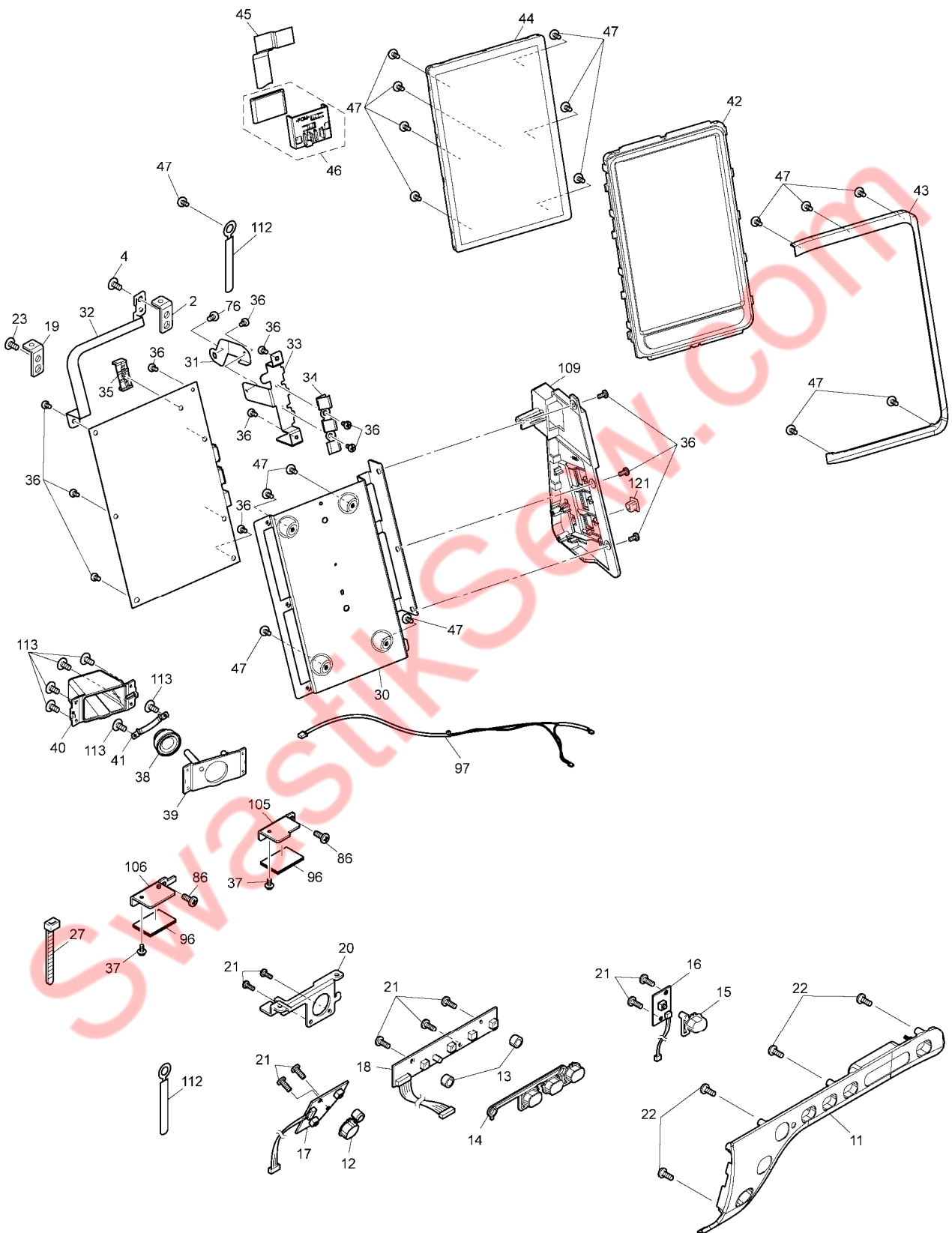
**Note on parts:**

We keep performance parts for this sewing machine for at least 8 years after this model is discontinued. Performance parts are the necessary parts to maintain the function of the sewing machine.

# (1) MAIN FRAME / COVER



# (1) MAIN FRAME / COVER



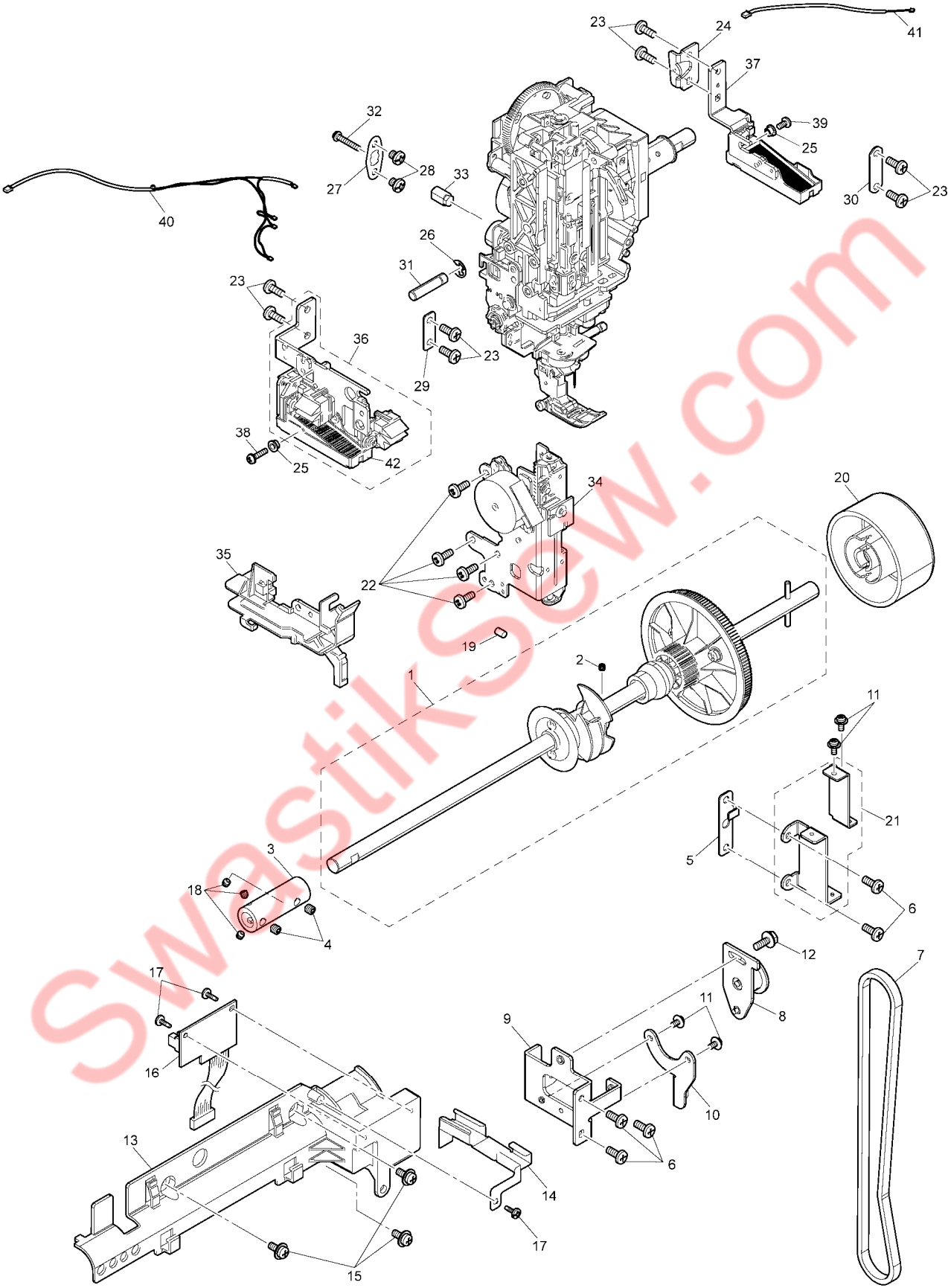
## (1) MAIN FRAME / COVER

| No. | CODE      | NAME                           | REMARKS | No. | CODE      | NAME                        | REMARKS |
|-----|-----------|--------------------------------|---------|-----|-----------|-----------------------------|---------|
| 1   | XF9130001 | REAR COVER ASSY                |         | 45  | XG1403001 | FCC SUPPLY ASSY             |         |
| 2   | XE3917001 | PLATE E                        |         | 46  | XH4138001 | FERRITE CORE SUPPLY ASSY    |         |
| 3   | XF9734001 | GROUND PLATE REAR              |         | 47  | 087310816 | TAPTITE CUP B M3X8          |         |
| 4   | 087410816 | TAPTITE CUP B M4X8             |         | 48  | XF2938201 | FREE ARM FRONT COVER ASSY   |         |
| 5   | 087411416 | TAPTITE CUP B M4X14            |         | 49  | XC4433051 | SCREW,PAN(T WASHER)M3X6     |         |
| 6   | XH4197001 | FACE PLATE ASSY BP3600         |         | 50  | XH3983001 | HANDLE ASSY                 |         |
| 7   | XE4631101 | FACE PLATE CUTTER HOLDER       |         | 51  | XF9192001 | HANDLE HOLDER L ASSY        |         |
| 8   | X80321001 | NT LOWER THREAD CUTTER         |         | 52  | XF9195001 | HANDLE HOLDER R ASSY        |         |
| 9   | XC7566051 | SCREW, PAN(S/P WASHER)M4X8     |         | 53  | 048060343 | RETAINING RING E6           |         |
| 10  | XH3975001 | MATERIAL OF FRONT COVER EMB    |         | 54  | XE3953001 | HANDLE HOLDER SPRING PLATE  |         |
| 11  | XH3976001 | MATERIAL OF FRONT KEYCOVER EMB |         | 55  | XF9198001 | HANDLE STOPPER PLATE L      |         |
| 12  | XF9148001 | SS-BUTTON                      |         | 56  | XF9851001 | HANDLE STOPPER PLATE R      |         |
| 13  | XH3977001 | BUTTON COLLAR                  |         | 57  | 060300416 | SCREW BIND M3X4             |         |
| 14  | XH3978001 | OPERATION BUTTON               |         | 58  | XF9200001 | BASE PLATE SUB ASSY         |         |
| 15  | XF9155002 | THREADER BUTTON                |         | 59  | XA1805051 | BASE RUBBER A               |         |
| 16  | XF3571001 | THREADER SWITCH PCB ASSY       |         | 60  | XA4687051 | ADJUSTING SCREW ASSY        |         |
| 17  | XF2753001 | SS PCB ASSY B                  |         | 61  | 062500816 | SCREW PAN M5X8              |         |
| 18  | XF9854001 | OPERATION PCB ASSY             |         | 62  | XA4689051 | BASE PLATE RUBBER           |         |
| 19  | XE3917001 | PLATE E                        |         | 63  | 060400616 | SCREW BIND M4X6             |         |
| 20  | XF9160001 | FRONT TG COVER FIXED PLATE     |         | 64  | XF3282001 | LEAD WIRE ASSY MAIN BODY V  |         |
| 21  | 136681051 | TAPTITE, BIND B M3X8           |         | 65  | 026350136 | WASHER PLAIN S M3.5         |         |
| 22  | 087310816 | TAPTITE CUP B M3X8             |         | 66  | 048025343 | RETAINING RING E2.5         |         |
| 23  | 087410816 | TAPTITE CUP B M4X8             |         | 67  | XG1158001 | CONNECTOR HOLDER ASSY       |         |
| 24  | XF9161001 | LAMP COVER L                   |         | 68  | XH3706001 | INLET ASSY W 230            |         |
| 25  | XF9162001 | LAMP COVER R                   |         | 69  | 0A4400806 | SCREW PAN (S/P WASHER) M4X8 |         |
| 26  | XE3916001 | DIFFUSION SHEET WORK AREA      |         | 70  | XE7045001 | FERRITE CORE:LF0930A        |         |
| 27  | X53169050 | BAND                           |         | 71  | XF8941001 | EXTENSION IF PCB ASSY L     |         |
| 28  | XH3890001 | LINE COVER FRONT UPPER PAINTED |         | 72  | XF9202001 | SW HOLDER                   |         |
| 29  | XH3892001 | LINE COVER FRONT LOWER PAINTED |         | 73  | XF9203001 | SENSOR CONNECTOR HOLDER D   |         |
| 30  | XF9165001 | PANEL BOARD HOLDER             |         | 74  | 060300616 | SCREW BIND M3X6             |         |
| 31  | XF9166001 | PANEL BOARD GROUND PLATE D     |         | 75  | XF2956001 | BASE PLATE COVER            |         |
| 32  | XF9167001 | PANEL BOARD GROUND PLATE U     |         | 76  | 060400616 | SCREW BIND M4X6             |         |
| 33  | XF9168001 | GROUND PLATE USB HOLDER        |         | 77  | XE5050201 | NEEDLE PLATE B ASSY         |         |
| 34  | XE5267001 | GROUND PLATE USB               |         | 78  | XC2366152 | SLIDE BUTTON                |         |
| 35  | XH1263001 | WILAN HOLDER                   |         | 79  | XD1666052 | CUTTER COVER                |         |
| 36  | 060300616 | SCREW BIND M3X6                |         | 80  | XD1461151 | NEEDLE PLATE COVER SPRING   |         |
| 37  | XC7564051 | SCREW PAN(S/P WASHER)M3X6      |         | 81  | X80321001 | NT LOWER THREAD CUTTER      |         |
| 38  | XF9417001 | SPEAKER ASSY                   |         | 82  | XE8992101 | NEEDLE PLATE COVER ASSY     |         |
| 39  | XG8508001 | SPEAKER COVER ASSY             |         | 83  | XH3986001 | TOP COVER UNIT ASSY         |         |
| 40  | XF9171001 | SPEAKER COVER R                |         | 84  | XF2968001 | FREE ARM COVER              |         |
| 41  | XF9172001 | SPEAKER BRACKET                |         | 85  | XF2969001 | FREE ARM PLATE              |         |
| 42  | XH4199001 | LCD FRAME ASSY                 |         | 86  | X57908052 | TAPTITE,BIND S M4X10        |         |
| 43  | XH3896001 | LINE COVER LCD TAPE ASSY       |         | 87  | XH3904001 | BELT COVER ASSY             |         |
| 44  | XG1204001 | LCD SUPPLY ASSY                |         | 88  | XH3905001 | CARD COVER                  |         |





## (2) UPPER SHAFT / NEEDLE BAR / PRESSER FOOT UNIT

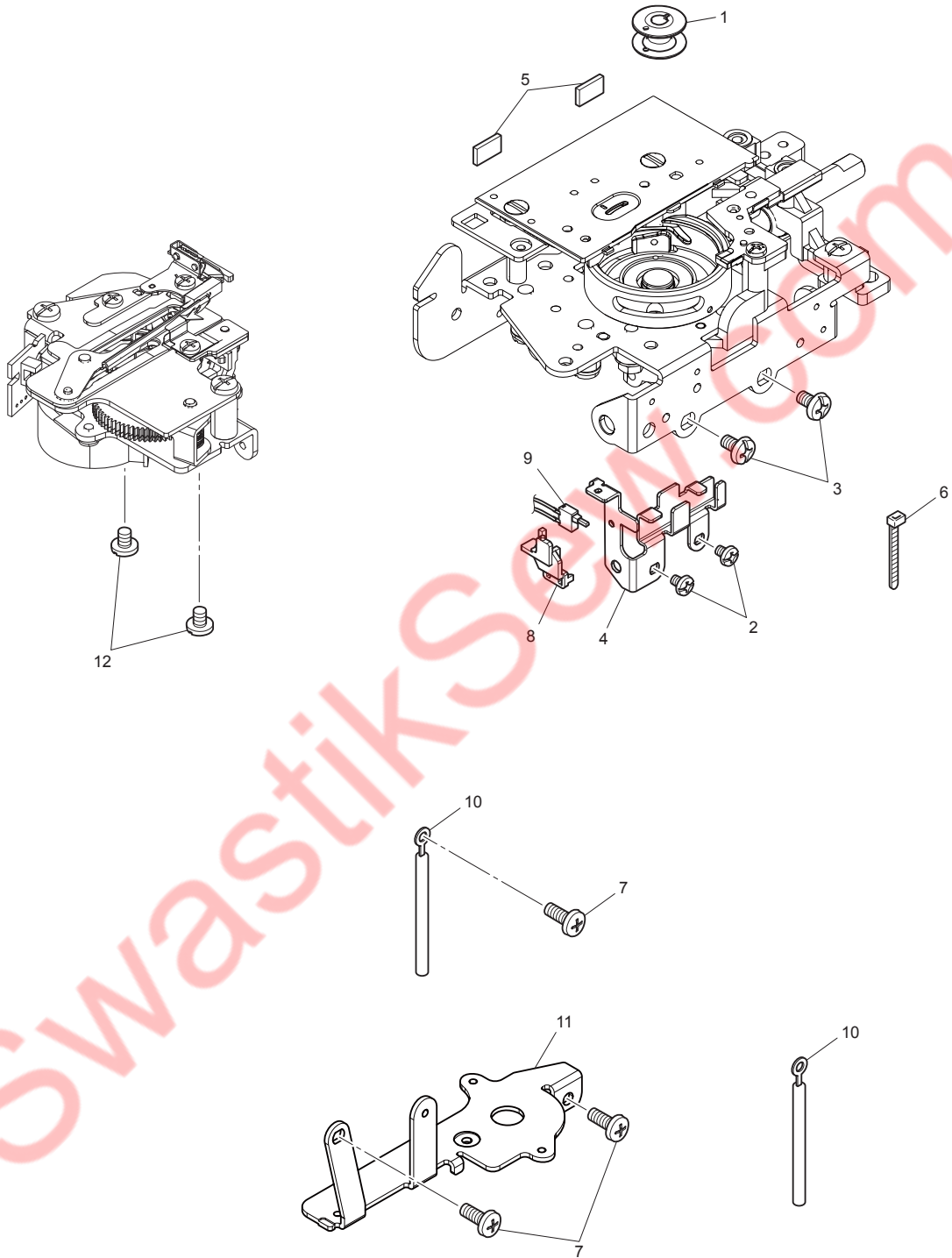


**(2) UPPER SHAFT / NEEDLE BAR / PRESSER FOOT UNIT**

| No.                   | CODE      | NAME                         | REMARKS |
|-----------------------|-----------|------------------------------|---------|
| UPPER SHAFT MECHANISM |           |                              |         |
| 1                     | XG1206001 | UPPER SHAFT SUPPLY ASSY      |         |
| 2                     | 014300632 | SET SCREW SOCKET (CP) M3X6   |         |
| 3                     | XC7775051 | FIXED JOINT                  |         |
| 4                     | 012500532 | SET SCREW SOCKET (FT) M5X5   |         |
| 5                     | XC6362051 | METAL PRESSER                |         |
| 6                     | X57908052 | TAPTITE, BIND S M4X10        |         |
| 7                     | XF2999001 | TIMING BELT 480-3GT-6        |         |
| 8                     | XE3998001 | TENSION PULLEY A ASSEMBLY    |         |
| 9                     | XF3654001 | TENSION PULLEY HOLDER B ASSY |         |
| 10                    | XF5116001 | BELT SUPPORT LOWER           |         |
| 11                    | 0A5300606 | SCREW PAN (S/P WASHER) M3X6  |         |
| 12                    | XA8474051 | UPSET 4X12 DB                |         |
| 13                    | XF3001001 | UPPER SHAFT COVER            |         |
| 14                    | XF3002001 | CORD GUIDE                   |         |
| 15                    | 0A5401006 | SCREW PAN (S/P WASHER) M4X10 |         |
| 16                    | XF2742001 | NP PCB ASSY                  |         |
| 17                    | 136681051 | TAPTITE, BIND B M3X8         |         |
| 18                    | 014400432 | SET SCREW SOCKET (CP) M4X4   |         |
| 19                    | XC3183051 | FELT                         |         |
| 20                    | XF9236003 | PULLEY                       |         |
| 21                    | XF5989001 | BELT SUPPORT UPPER ASSY      |         |
|                       |           |                              |         |
|                       |           |                              |         |
|                       |           |                              |         |
|                       |           |                              |         |
|                       |           |                              |         |
|                       |           |                              |         |
|                       |           |                              |         |
|                       |           |                              |         |
|                       |           |                              |         |
|                       |           |                              |         |
|                       |           |                              |         |
|                       |           |                              |         |
|                       |           |                              |         |
|                       |           |                              |         |
|                       |           |                              |         |
|                       |           |                              |         |
|                       |           |                              |         |
|                       |           |                              |         |
|                       |           |                              |         |
|                       |           |                              |         |
|                       |           |                              |         |
|                       |           |                              |         |
|                       |           |                              |         |
|                       |           |                              |         |

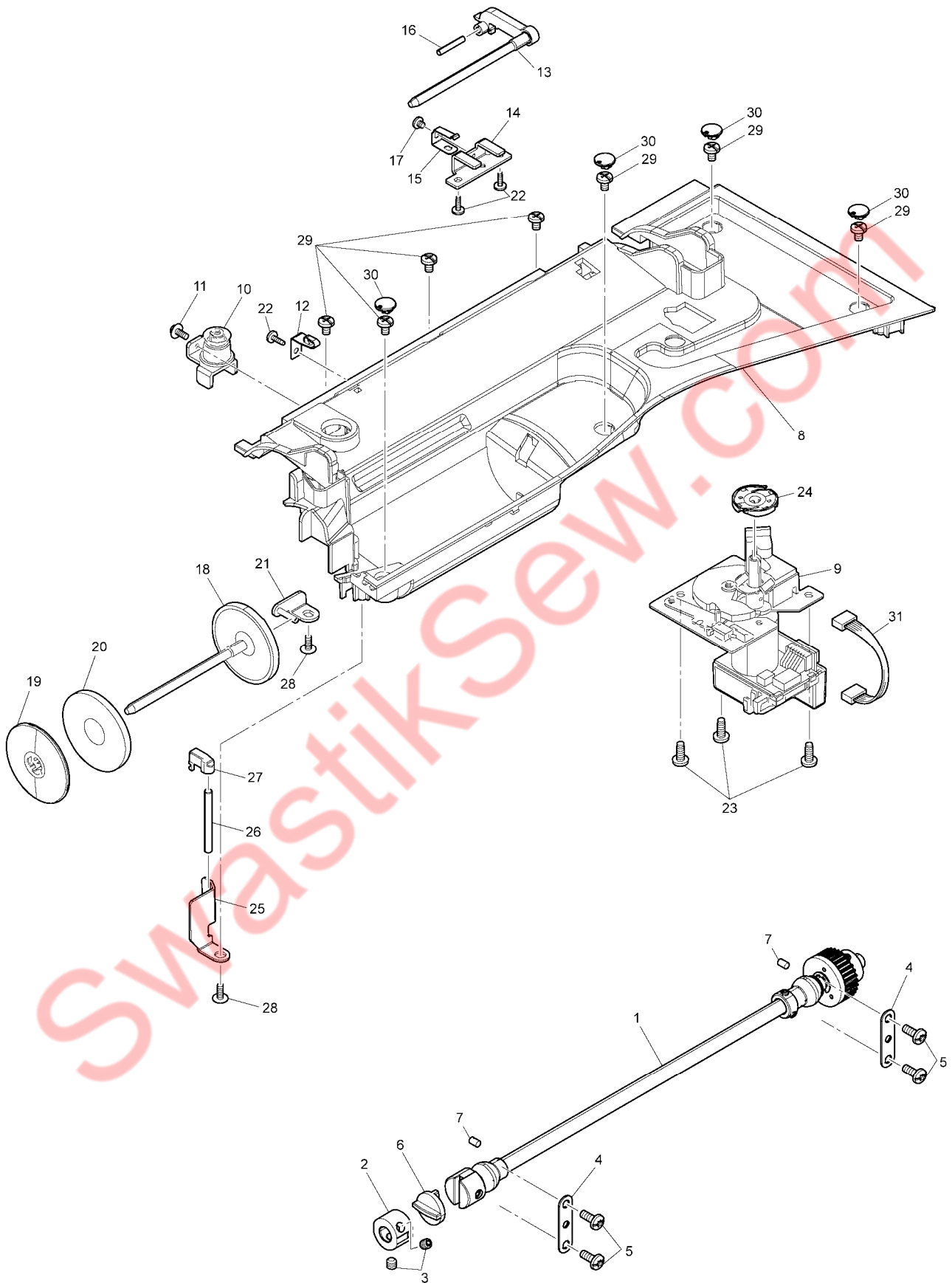
| No.                            | CODE      | NAME                          | REMARKS |
|--------------------------------|-----------|-------------------------------|---------|
| NEEDLE BAR / PRESSER FOOT UNIT |           |                               |         |
| 22                             | 085411015 | TAPTITE BIND B M4X10          |         |
| 23                             | X57908052 | TAPTITE, BIND S M4X10         |         |
| 24                             | XE4733001 | PLATE K                       |         |
| 25                             | XE4468001 | LED HOLDER SPACER             |         |
| 26                             | 048050343 | RETAINING RING E5             |         |
| 27                             | XC2505050 | PLATE SPRING                  |         |
| 28                             | 060400516 | SCREW BIND M4X5               |         |
| 29                             | XC2297051 | PRESSER PLATE A               |         |
| 30                             | XC2298051 | PRESSER PLATE B               |         |
| 31                             | XC2503051 | SHAFT                         |         |
| 32                             | XZ0380051 | SCREW, PAN (WASHER) M3X18     |         |
| 33                             | XC2504050 | ADJUSTING SCREW               |         |
| 34                             | XH3955001 | THREAD DRIVE UNIT SUPPLY ASSY |         |
| 35                             | XE4591101 | CORD GUIDE                    |         |
| 36                             | XF3614101 | LED LAMP HOLDER L ASSY        |         |
| 37                             | XF3032001 | LED LAMP HOLDER R ASSY        |         |
| 38                             | 0A1301206 | SCREW PAN (P WASHER) M3X12    |         |
| 39                             | 060300616 | SCREW BIND M3X6               |         |
| 40                             | XG0873001 | LEAD WIRE ASSY LED2           |         |
| 41                             | XG0874001 | LEAD WIRE ASSY LED3           |         |
| 42                             | XF3096001 | LIGHT PLATE COVER             |         |
|                                |           |                               |         |
|                                |           |                               |         |
|                                |           |                               |         |
|                                |           |                               |         |
|                                |           |                               |         |
|                                |           |                               |         |
|                                |           |                               |         |
|                                |           |                               |         |
|                                |           |                               |         |
|                                |           |                               |         |
|                                |           |                               |         |
|                                |           |                               |         |
|                                |           |                               |         |
|                                |           |                               |         |
|                                |           |                               |         |
|                                |           |                               |         |
|                                |           |                               |         |
|                                |           |                               |         |
|                                |           |                               |         |
|                                |           |                               |         |
|                                |           |                               |         |
|                                |           |                               |         |
|                                |           |                               |         |
|                                |           |                               |         |
|                                |           |                               |         |

### (3) FEED / THREAD CUTTING UNIT





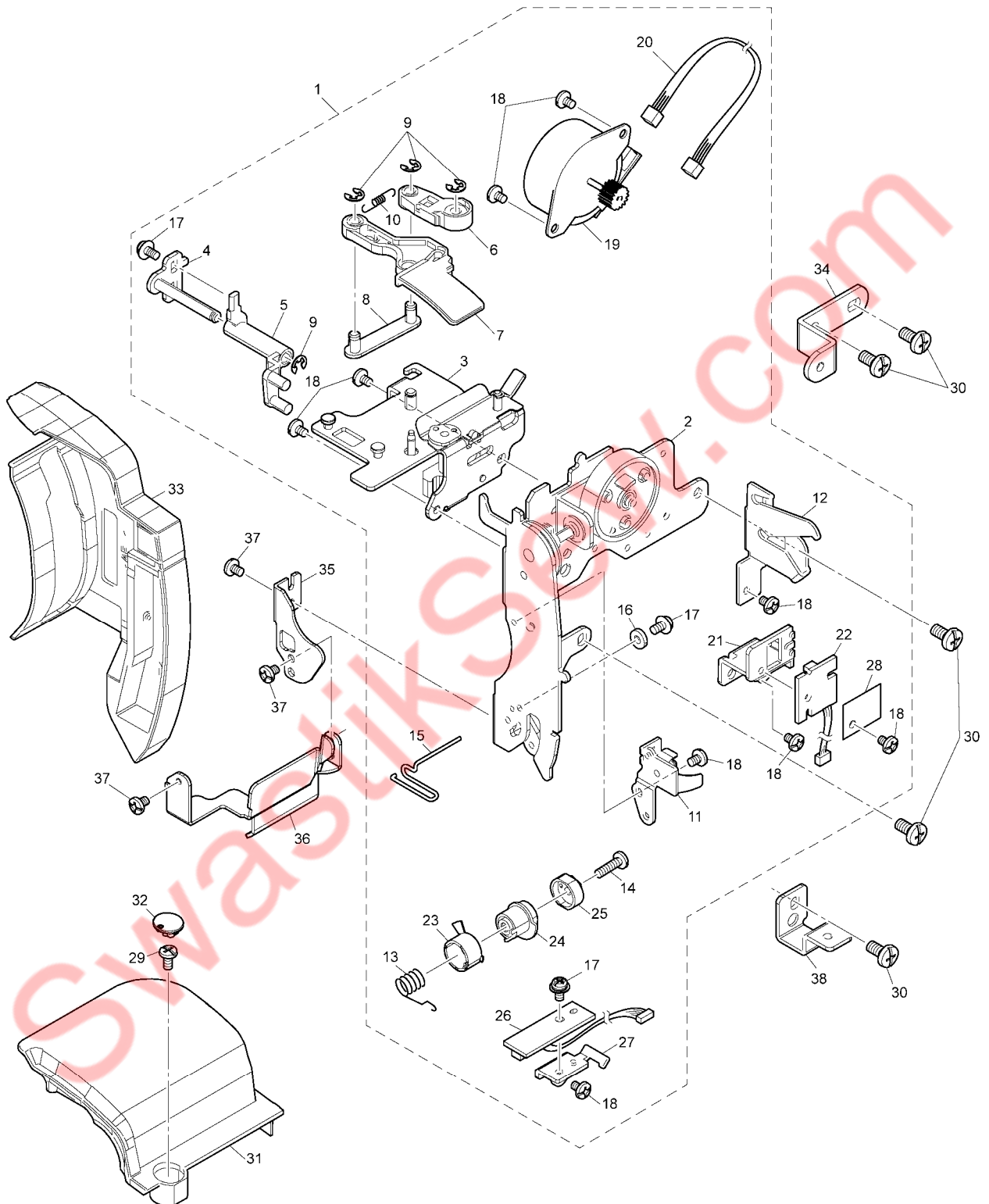
## (4) LOWER SHAFT / BOBBIN WINDING MECHANISM



## (4) LOWER SHAFT / BOBBIN WINDING MECHANISM

| No.                   | CODE      | NAME                       | REMARKS | No.                      | CODE      | NAME                          | REMARKS |
|-----------------------|-----------|----------------------------|---------|--------------------------|-----------|-------------------------------|---------|
| LOWER SHAFT MECHANISM |           |                            |         | BOBBIN WINDING MECHANISM |           |                               |         |
| 1                     | XF3053001 | LOWER SHAFT A ASSY         |         | 8                        | XH3925001 | BOBBIN WINDER UNIT COVER      |         |
| 2                     | XC2602051 | JOINT                      |         | 9                        | XE4154002 | BOBBIN WINDER UNIT            |         |
| 3                     | 012500532 | SET SCREW SOCKET (FT) M5X5 |         | 10                       | XF9675001 | TENSION GUIDE ASSY            |         |
| 4                     | XF3056001 | BUSHING PRESSER A          |         | 11                       | 0A5300806 | SCREW PAN (S/P WASHER) M3X8   |         |
| 5                     | X57908052 | TAPTITE, BIND S M4X10      |         | 12                       | XH2606001 | THREAD GUIDE SUPPORTING PLATE |         |
| 6                     | XC2603050 | DISK                       |         | 13                       | XC7908051 | SUB SPOOL STAND PIN           |         |
| 7                     | XC3183051 | FELT                       |         | 14                       | XC7909051 | SUB SPOOL PIN HOLDER          |         |
|                       |           |                            |         | 15                       | XC7910051 | NOTCH PLATE                   |         |
|                       |           |                            |         | 16                       | XA9371051 | SHAFT                         |         |
|                       |           |                            |         | 17                       | XC6055051 | SCREW, BIND M3X3              |         |
|                       |           |                            |         | 18                       | XA1786053 | SPOOL PIN                     |         |
|                       |           |                            |         | 19                       | X55260156 | SPOOL PRESSER C               |         |
|                       |           |                            |         | 20                       | X57045051 | SPOOL FELT                    |         |
|                       |           |                            |         | 21                       | XF3688001 | SPOOL PIN HOLDER ASSY         |         |
|                       |           |                            |         | 22                       | 087310816 | TAPTITE CUP B M3X8            |         |
|                       |           |                            |         | 23                       | 085411015 | TAPTITE BIND B M4X10          |         |
|                       |           |                            |         | 24                       | XC7912051 | BOBBIN BASE ASSY              |         |
|                       |           |                            |         | 25                       | XE4269001 | THREAD GUARD PLATE            |         |
|                       |           |                            |         | 26                       | XF9678001 | THREAD GUARD PIN              |         |
|                       |           |                            |         | 27                       | XE4271002 | THREAD GUARD PIN CAP          |         |
|                       |           |                            |         | 28                       | 087311015 | TAPTITE CUP B M3X10           |         |
|                       |           |                            |         | 29                       | 060400616 | SCREW BIND M4X6               |         |
|                       |           |                            |         | 30                       | XE4277001 | SCREW CAP                     |         |
|                       |           |                            |         | 31                       | XF9922001 | LEAD WIRE ASSY BW             |         |
|                       |           |                            |         |                          |           |                               |         |
|                       |           |                            |         |                          |           |                               |         |
|                       |           |                            |         |                          |           |                               |         |
|                       |           |                            |         |                          |           |                               |         |
|                       |           |                            |         |                          |           |                               |         |
|                       |           |                            |         |                          |           |                               |         |
|                       |           |                            |         |                          |           |                               |         |
|                       |           |                            |         |                          |           |                               |         |
|                       |           |                            |         |                          |           |                               |         |
|                       |           |                            |         |                          |           |                               |         |
|                       |           |                            |         |                          |           |                               |         |
|                       |           |                            |         |                          |           |                               |         |
|                       |           |                            |         |                          |           |                               |         |
|                       |           |                            |         |                          |           |                               |         |
|                       |           |                            |         |                          |           |                               |         |
|                       |           |                            |         |                          |           |                               |         |
|                       |           |                            |         |                          |           |                               |         |
|                       |           |                            |         |                          |           |                               |         |
|                       |           |                            |         |                          |           |                               |         |
|                       |           |                            |         |                          |           |                               |         |
|                       |           |                            |         |                          |           |                               |         |
|                       |           |                            |         |                          |           |                               |         |
|                       |           |                            |         |                          |           |                               |         |
|                       |           |                            |         |                          |           |                               |         |
|                       |           |                            |         |                          |           |                               |         |

## (5) NEEDLE THREADING MECHANISM

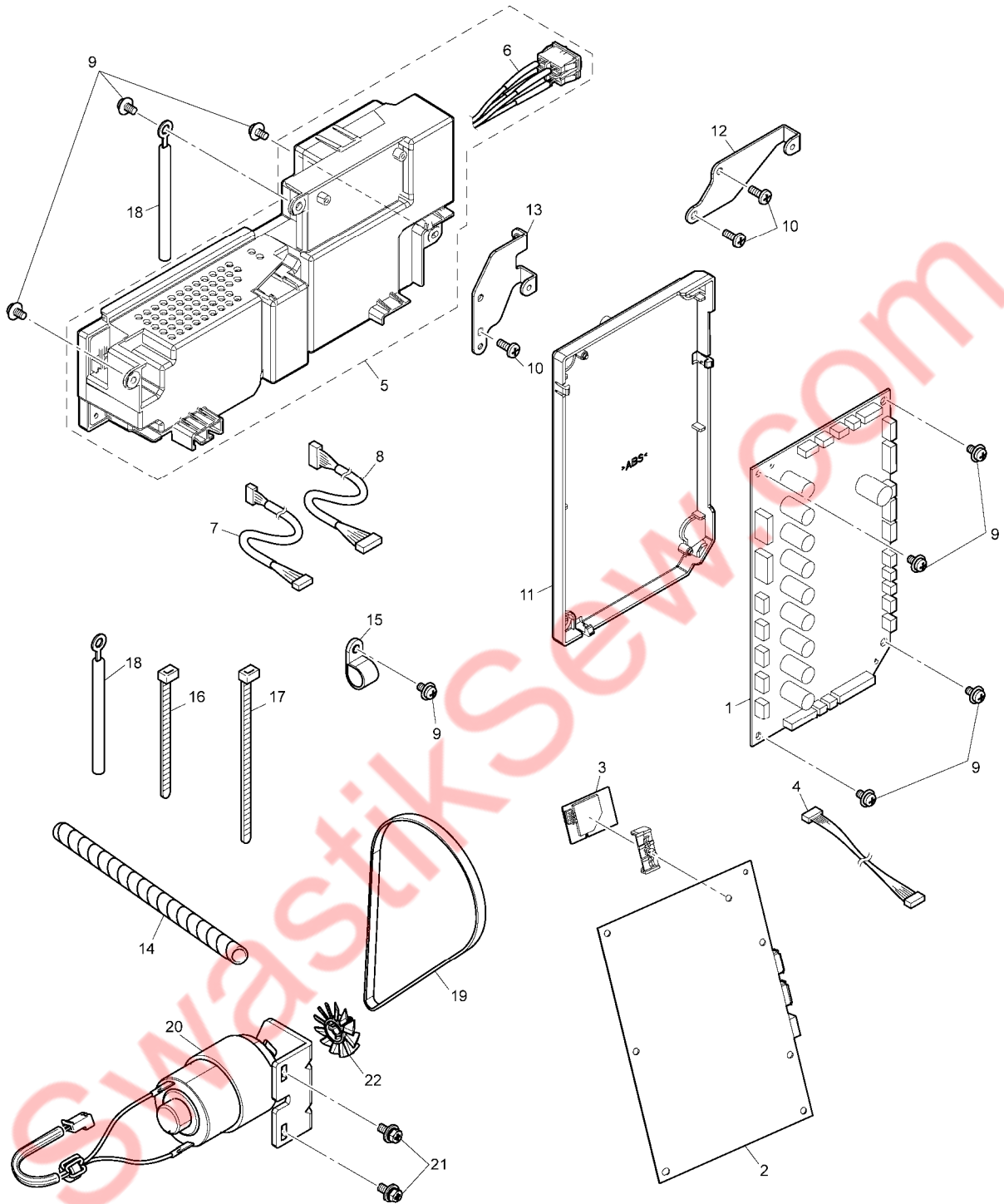


## (5) NEEDLE THREADING MECHANISM

| No. | CODE      | NAME                          | REMARKS |
|-----|-----------|-------------------------------|---------|
| 1   | XG1207001 | THREAD UNIT SUPPLY ASSY       |         |
| 2   | XE4165001 | THREAD TENSION ASSY X1        |         |
| 3   | XC9445351 | TENSION RELEASE UNIT D6M      |         |
| 4   | XC9450051 | LINK A SHAFT PLATE ASSY       |         |
| 5   | XC9453051 | THREAD GUIDE SHUTTER LINK A   |         |
| 6   | XE4168001 | THREAD GUIDE SHUTTER LINK B   |         |
| 7   | XE4169002 | THREAD GUIDE SHUTTER LINK C   |         |
| 8   | XE4170001 | TH GUIDE SHUTTER LINK D ASSY  |         |
| 9   | 048030343 | RETAINING RING E3             |         |
| 10  | XE4328001 | SPRING, TENSION               |         |
| 11  | XC2644051 | PLATE ASSEMBLY                |         |
| 12  | XF9744001 | THREAD GUIDE                  |         |
| 13  | XZ0386151 | THREAD TAKE UP SPRING         |         |
| 14  | 0A4301806 | SCREW, PAN (S/P WASHE) M3X18  |         |
| 15  | XC7931050 | THREAD GUIDE WIRE             |         |
| 16  | XA9996051 | WASHER, PLAIN                 |         |
| 17  | XC7564051 | SCREW, PAN(S/P WASHER)M3X6    |         |
| 18  | 060300416 | SCREW BIND M3X4               |         |
| 19  | XD0804051 | ATPM INSULATION ASSY          |         |
| 20  | XC8259051 | ASSY: ATPM LEAD WIRE          |         |
| 21  | XF3611001 | ATPM SENSOR PLATE             |         |
| 22  | XE4405001 | AT INIT PCB ASSY              |         |
| 23  | X58316051 | THREADCUTTING SHUTTER         |         |
| 24  | XE4757001 | THREAD CATCHING CASE A        |         |
| 25  | XE4758001 | THREAD CATCHING CASE B        |         |
| 26  | XE4432001 | UPTHREAD PCB ASSY             |         |
| 27  | XC7934051 | THREAD SENSOR HOLDER          |         |
| 28  | XE5827001 | INSULATION SHEET              |         |
| 29  | 060400616 | SCREW BIND M4X6               |         |
| 30  | 060400816 | SCREW BIND M4X8               |         |
| 31  | XF9946001 | FRONT THREAD GUARD COVER ASSY |         |
| 32  | XE4277001 | SCREW CAP                     |         |
| 33  | XH3927001 | THREAD GUIDE COVER ASSY B L   |         |
| 34  | XE4176001 | IMT HOLDER                    |         |
| 35  | XE5250001 | THREAD GUARD PLATE B          |         |
| 36  | XF3068001 | THREAD GUIDE                  |         |
| 37  | 060300416 | SCREW BIND M3X4               |         |
| 38  | XF3681001 | FRONT COVER FIXED PLATE       |         |
|     |           |                               |         |
|     |           |                               |         |
|     |           |                               |         |
|     |           |                               |         |
|     |           |                               |         |
|     |           |                               |         |
|     |           |                               |         |
|     |           |                               |         |

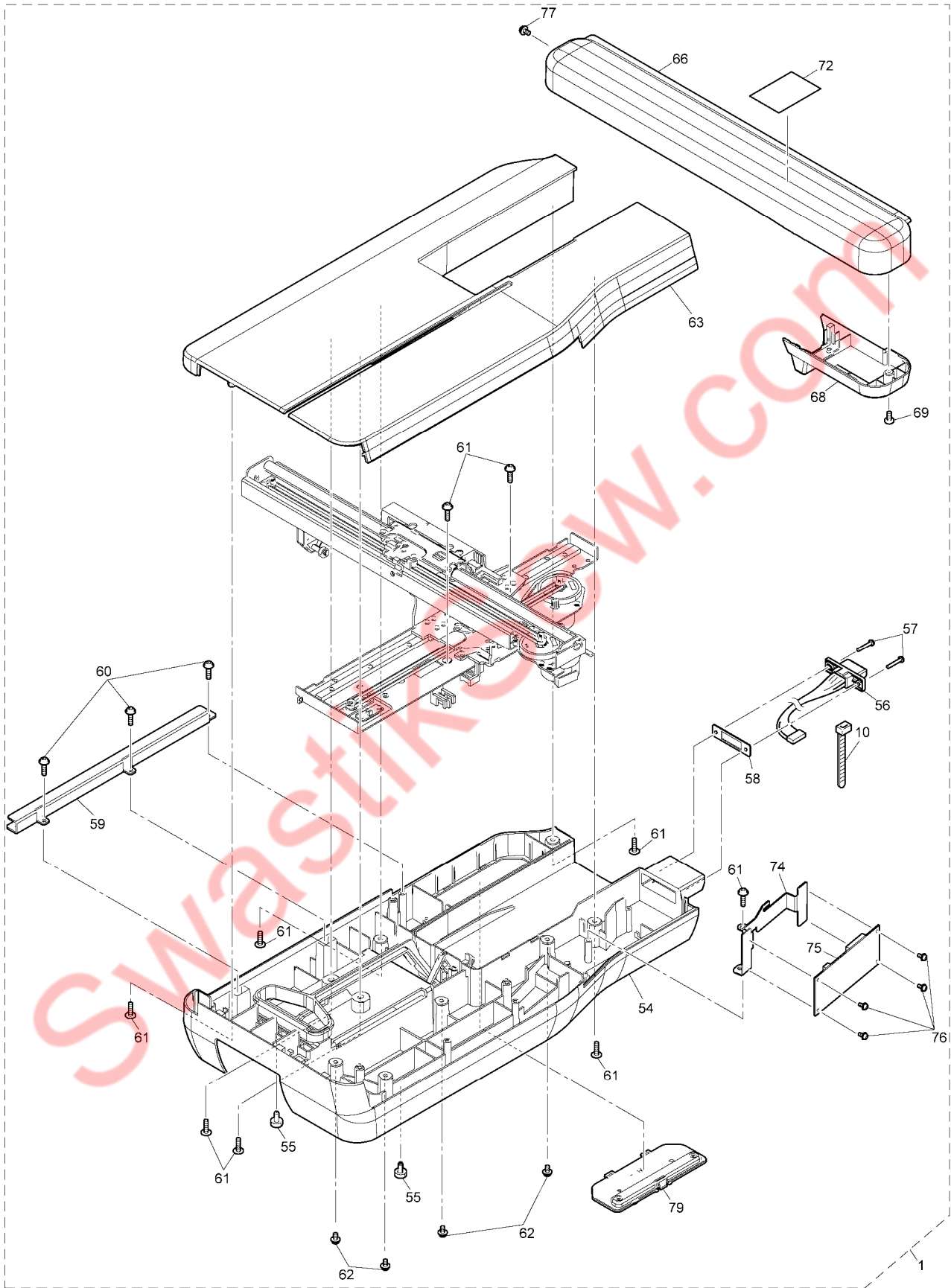


## (6) ELECTRIC PARTS / MAIN MOTOR UNIT

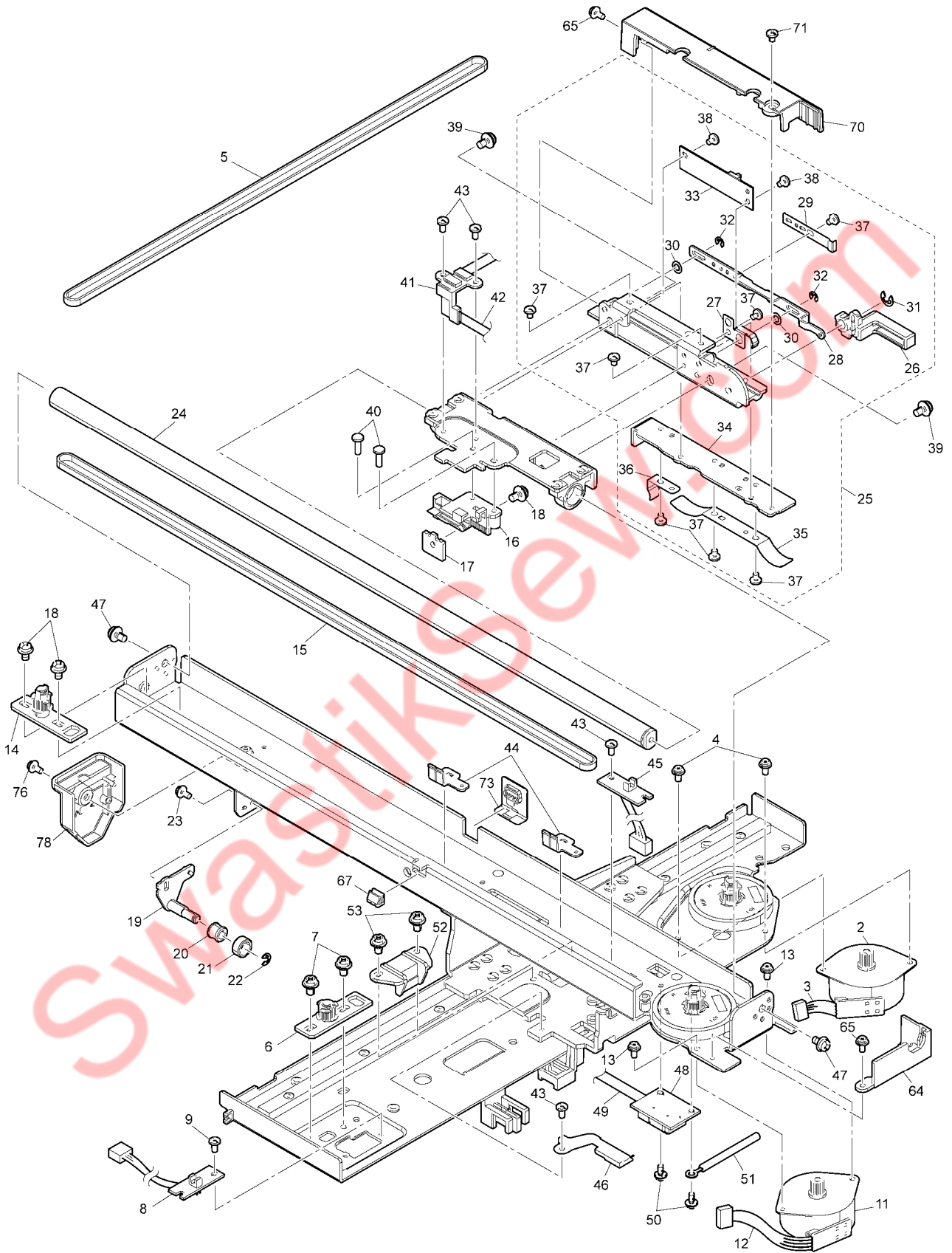




# (7) EMBROIDERY UNIT



# (7) EMBROIDERY UNIT



## (7) EMBROIDERY UNIT

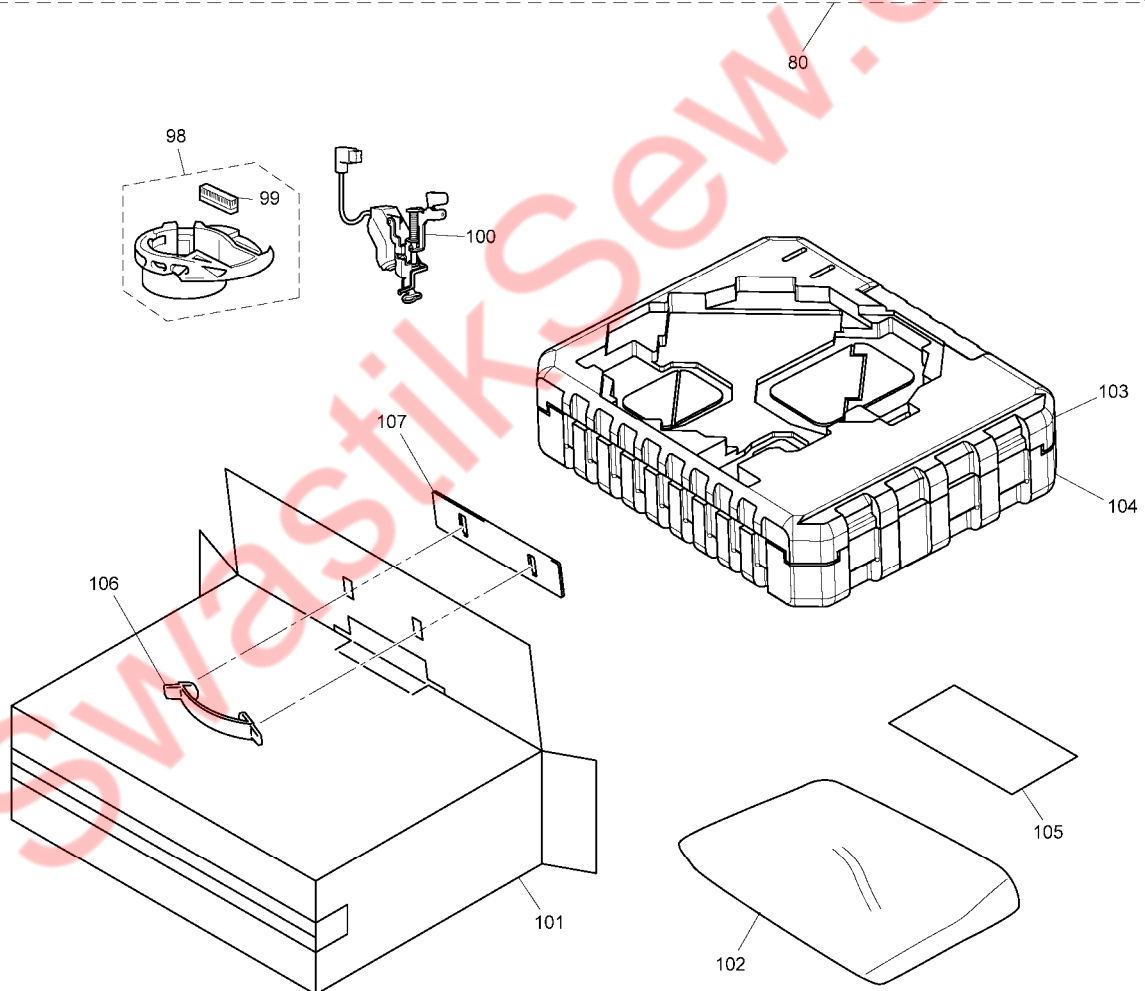
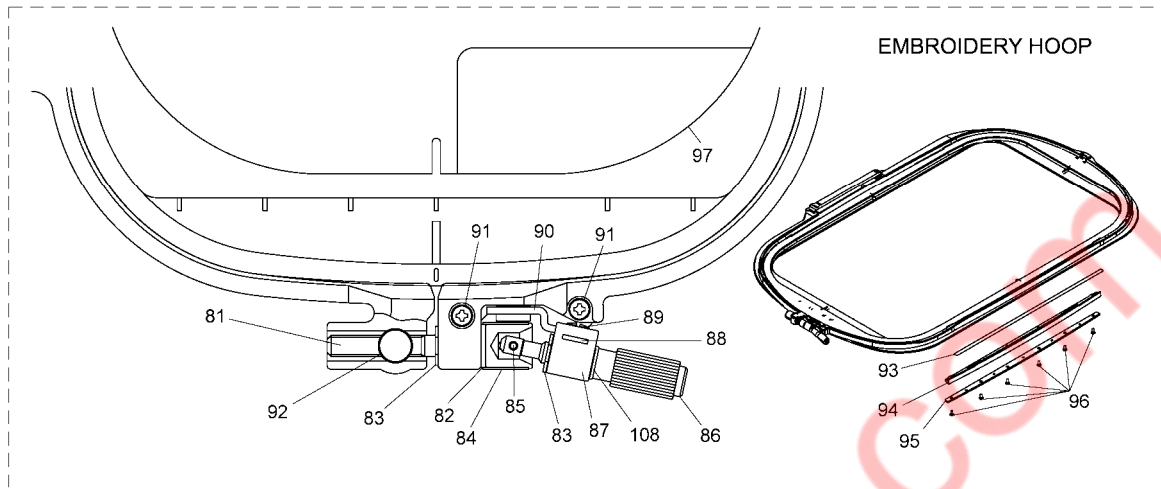
| No. | CODE      | NAME                         | REMARKS | No. | CODE      | NAME                           | REMARKS |
|-----|-----------|------------------------------|---------|-----|-----------|--------------------------------|---------|
| 1   | XH3960001 | EMBROIDERY UNIT SUPPLY FOR W |         | 45  | XF9804001 | Y INIT PCB ASSY                |         |
| 2   | XC8298051 | ASSY: XY PULSE MOTOR         |         | 46  | XF9291001 | CODE GRIP                      |         |
| 3   | XF3574001 | XPM LEAD WIRE ASSY           |         | 47  | XC7566051 | SCREW, PAN(S/P WASHER)M4X8     |         |
| 4   | XA8390051 | SCREW                        |         | 48  | XE3779001 | Y RELAY PCB ASSY               |         |
| 5   | XF9264001 | TIMING BELT 40S2M676         |         | 49  | XF9424001 | FLEXIBLE FLAT CABLE:SML2CD-7   |         |
| 6   | XF9747001 | TENSION PULLEY ASSY          |         | 50  | XA8390051 | SCREW                          |         |
| 7   | XC7566051 | SCREW, PAN(S/P WASHER)M4X8   |         | 51  | 137947001 | CLIP                           |         |
| 8   | XF9428001 | X INIT PCB ASSY              |         | 52  | XF9293001 | X BELT PRESSER                 |         |
| 9   | 060300616 | SCREW BIND M3X6              |         | 53  | XC7566051 | SCREW, PAN(S/P WASHER)M4X8     |         |
| 10  | X53169050 | BAND                         |         | 54  | XF9294001 | ES BASE COVER UNIT             |         |
| 11  | XC8298051 | ASSY: XY PULSE MOTOR         |         | 55  | XA4687051 | ADJUSTING SCREW ASSY           |         |
| 12  | XF9427001 | LEAD WIRE ASSY YPM           |         | 56  | XF3284001 | LEAD WIRE ASSY EMB UNIT V      |         |
| 13  | XA8390051 | SCREW                        |         | 57  | XZ0380051 | SCREW,PAN(WASHER)M3X18         |         |
| 14  | XC8042051 | TENSION PULLEY ASSY          |         | 58  | XF3244001 | EM CONNECTOR HOLDER            |         |
| 15  | XF9276001 | TIMING BELT 40S2M862         |         | 59  | XF9299001 | X ROLLER GUIDE PLATE           |         |
| 16  | XC8061051 | Y SLIDER                     |         | 60  | 087411416 | TAPTITE CUP B M4X14            |         |
| 17  | XC8062051 | YT BELT PRESSER PLATE        |         | 61  | 087411416 | TAPTITE CUP B M4X14            |         |
| 18  | XC7566051 | SCREW, PAN(S/P WASHER)M4X8   |         | 62  | XC7566051 | SCREW, PAN(S/P WASHER)M4X8     |         |
| 19  | XF9279001 | X ROLLER PLATE ASSY          |         | 63  | XH3932001 | ES MAIN COVER ASSY             |         |
| 20  | XF9282001 | X ROLLER                     |         | 64  | XC8112251 | XC SUB COVER                   |         |
| 21  | XG0712001 | X ROLLER RUBBER              |         | 65  | XA8390051 | SCREW                          |         |
| 22  | 048030343 | RETAINING RING E3            |         | 66  | XF9305001 | X CARRIAGE COVER               |         |
| 23  | XE7911001 | BOLT SOCKET(S/P WASHER)M3X6  |         | 67  | XF9660001 | X CARRIAGE COVER RUBBER        |         |
| 24  | XF9289001 | Y GUIDE SHAFT                |         | 68  | XF9307001 | YPM COVER                      |         |
| 25  | XG0405101 | E HOOP STAY PLATE ASSY       |         | 69  | 060300816 | SCREW BIND M3X8                |         |
| 26  | XE3768001 | E HOOP LOCK LEVER            |         | 70  | XC8089151 | E HOOP STAY COVER              |         |
| 27  | XE3757101 | E HOOP LOCK LEVER SPRING     |         | 71  | 060300416 | SCREW BIND M3X4                |         |
| 28  | XE3759001 | LOCK SW PLATE SUB ASSY       |         | 72  | XC8666051 | LOCK LEVER SEAL                |         |
| 29  | XE3766001 | HOOP LOCK SW PUSH PLATE      |         | 73  | XE3795001 | HOLE COVER                     |         |
| 30  | XE3758001 | POLYESTER SLIDER             |         | 74  | XF9308001 | RELAY PCB HOLDER               |         |
| 31  | 048040343 | RETAINING RING E4            |         | 75  | XF9551001 | EMB RELAY PCB ASSY             |         |
| 32  | 048025343 | RETAINING RING E2.5          |         | 76  | XC7564051 | SCREW PAN(S/P WASHER)M3X6      |         |
| 33  | XF2741001 | FRAME SENSOR PCB ASSY        |         | 77  | 0A6400806 | SCREW PAN(T WASHER)M4X8        |         |
| 34  | XH3586001 | E HOOP PRESSURE PLATE        |         | 78  | XF9169001 | X CARRIAGE GUIDE PLATE B COVER |         |
| 35  | XH3162201 | E HOOP PRESSURE SPRING A     |         | 79  | XG0851001 | ES BASE COVER LID CW           |         |
| 36  | XG0436101 | E HOOP PRESSURE SPRING C     |         |     |           |                                |         |
| 37  | 060300416 | SCREW BIND M3X4              |         |     |           |                                |         |
| 38  | XC7644051 | SCREW, PAM (S/P WASHER) M3X5 |         |     |           |                                |         |
| 39  | 060400616 | SCREW BIND M4X6              |         |     |           |                                |         |
| 40  | 060300816 | SCREW BIND M3X8              |         |     |           |                                |         |
| 41  | XC8084050 | FFC SUPPORT                  |         |     |           |                                |         |
| 42  | XF9425001 | FLEXIBLE FLAT CABLE:SML2CD-6 |         |     |           |                                |         |
| 43  | 060300616 | SCREW BIND M3X6              |         |     |           |                                |         |
| 44  | XC8085050 | CORD CLIP                    |         |     |           |                                |         |

## (7) EMBROIDERY UNIT

Blank page

SwastikSew.com

## (7) EMBROIDERY UNIT

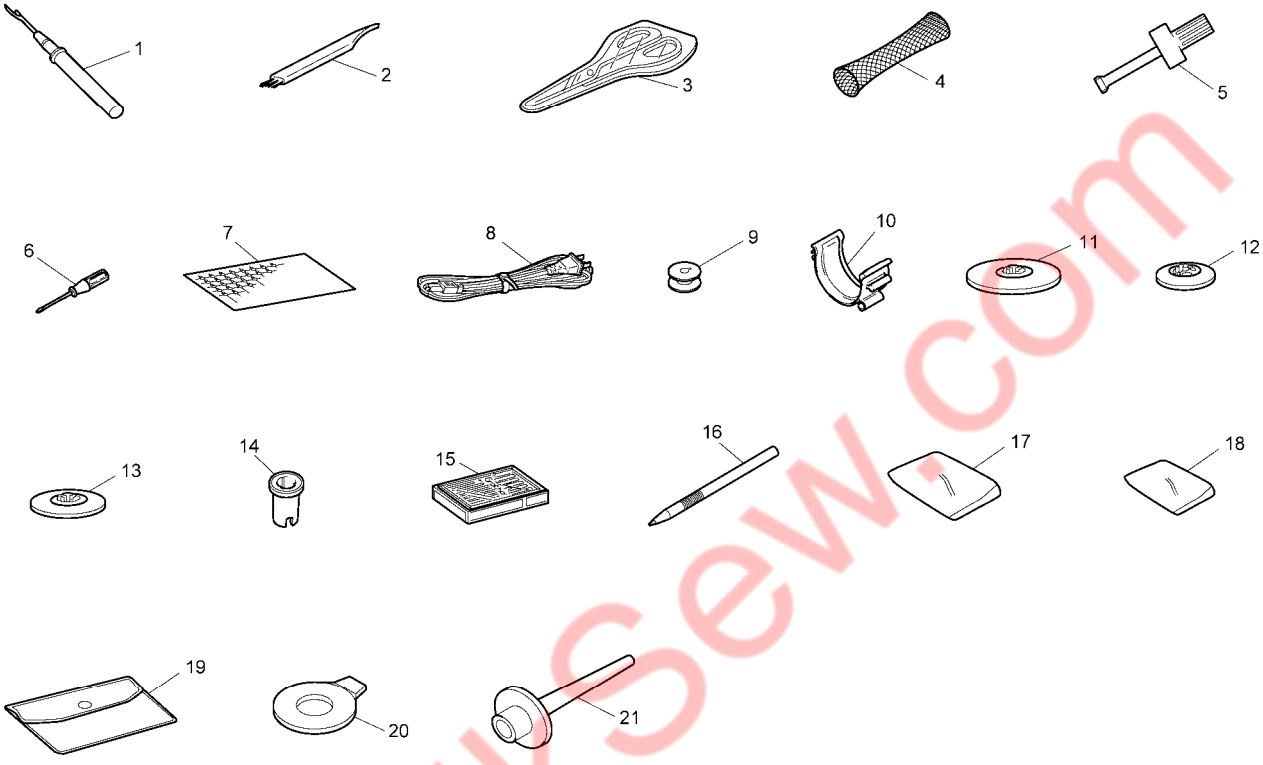


## (7) EMBROIDERY UNIT

| No. | CODE      | NAME  | REMARKS |
|-----|-----------|---|---------|
| 80  | ACC       | EMB HOOP LABEL ASSY 180X130   |         |
|     | ACC       | EMB HOOP LABEL ASSY 360X240   |         |
| 81  | XC8118051 | THUMB SCREW   |         |
| 82  | 026050136 | WASHER PLAIN S 5  |         |
| 83  | 048040343 | RETAINING RING E4   |         |
| 84  | XC8119051 | RING  |         |
| 85  | XC8120051 | KNOB PIN  |         |
| 86  | XC8121051 | KNOB SHAFT  |         |
| 87  | XC8122051 | KNOB HOLDER   |         |
| 88  | XC8123051 | KNOB FIXED PLATE  |         |
| 89  | 060260416 | SCREW BIND M2.6X4   |         |
| 90  | XC8124051 | HOLDER ASSY   |         |
| 91  | 0A4260806 | SCREW PAN (S/P WASHER) M2.6X8                                       |         |
| 92  | XC8129051 | OUTER HOOP NUT  |         |
| 93  | XE5558101 | SLIDE SHEET ASSY<br>(for EMBROIDERY HOOP ASSY 360X240)              |         |
| 94  | XF9312001 | EMBROIDERY HOOP PAD 360X240<br>(for EMBROIDERY HOOP ASSY 360X240)   |         |
| 95  | XF9313001 | EMBROIDERY HOOP PLATE 360X240<br>(for EMBROIDERY HOOP ASSY 360X240) |         |
| 96  | 084270616 | TAPTITE FLAT B M2.6X6<br>(for EMBROIDERY HOOP ASSY 360X240)         |         |
| 97  | XC8359051 | EMBROIDERY SHEET 130D6 ASSY   |         |
|     | XF9314001 | EMBROIDERY SHEET 360X240 ASSY                                       |         |
| 98  | XF5790101 | INNER ROTARY HOOK ASSY  |         |
| 99  | XC3137000 | PILE  |         |
| 100 | ACC       | WPLUS PRESSER UNIT  |         |
| 101 | XH4204001 | ES CARTON MODEL:BP3600  |         |
| 102 | X60678151 | BAG 700X630H  |         |
| 103 | XF9318001 | EMBROIDERY UNIT SF U  |         |
| 104 | XF9319001 | EMBROIDERY UNIT SF D  |         |
| 105 | XF3256001 | EMBROIDERY UNIT PAD   |         |
| 106 | XC9628051 | HANDLE  |         |
| 107 | XC8890050 | HANDLE PLATE  |         |
| 108 | XG4525001 | BEND WASHER   |         |
|     |           |   |         |
|     |           |   |         |
|     |           |   |         |
|     |           |   |         |
|     |           |   |         |
|     |           |   |         |
|     |           |   |         |
|     |           |   |         |
|     |           |   |         |



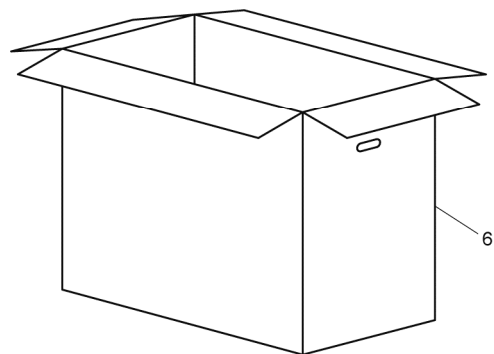
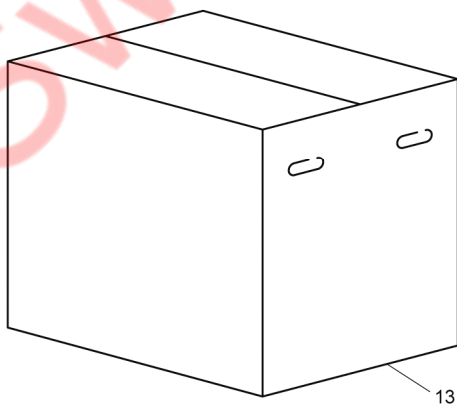
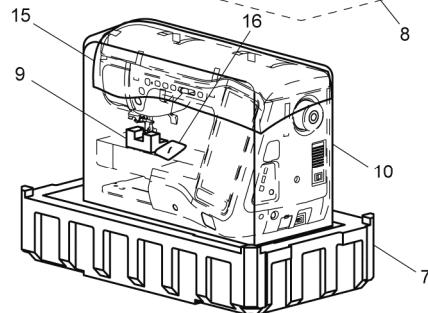
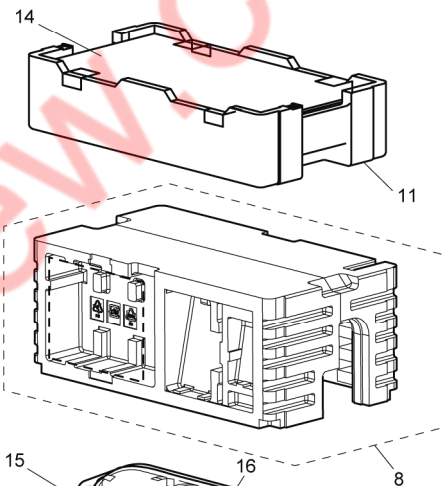
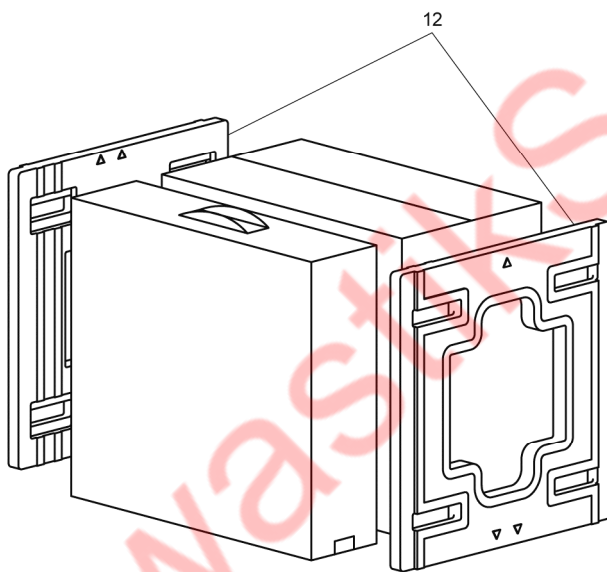
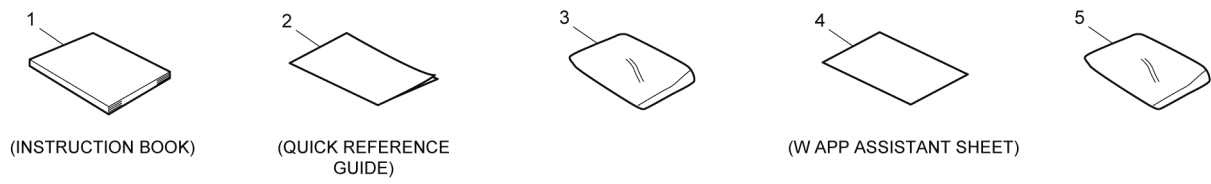
# (8) ACCESSORY PARTS



## (8) ACCESSORY PARTS

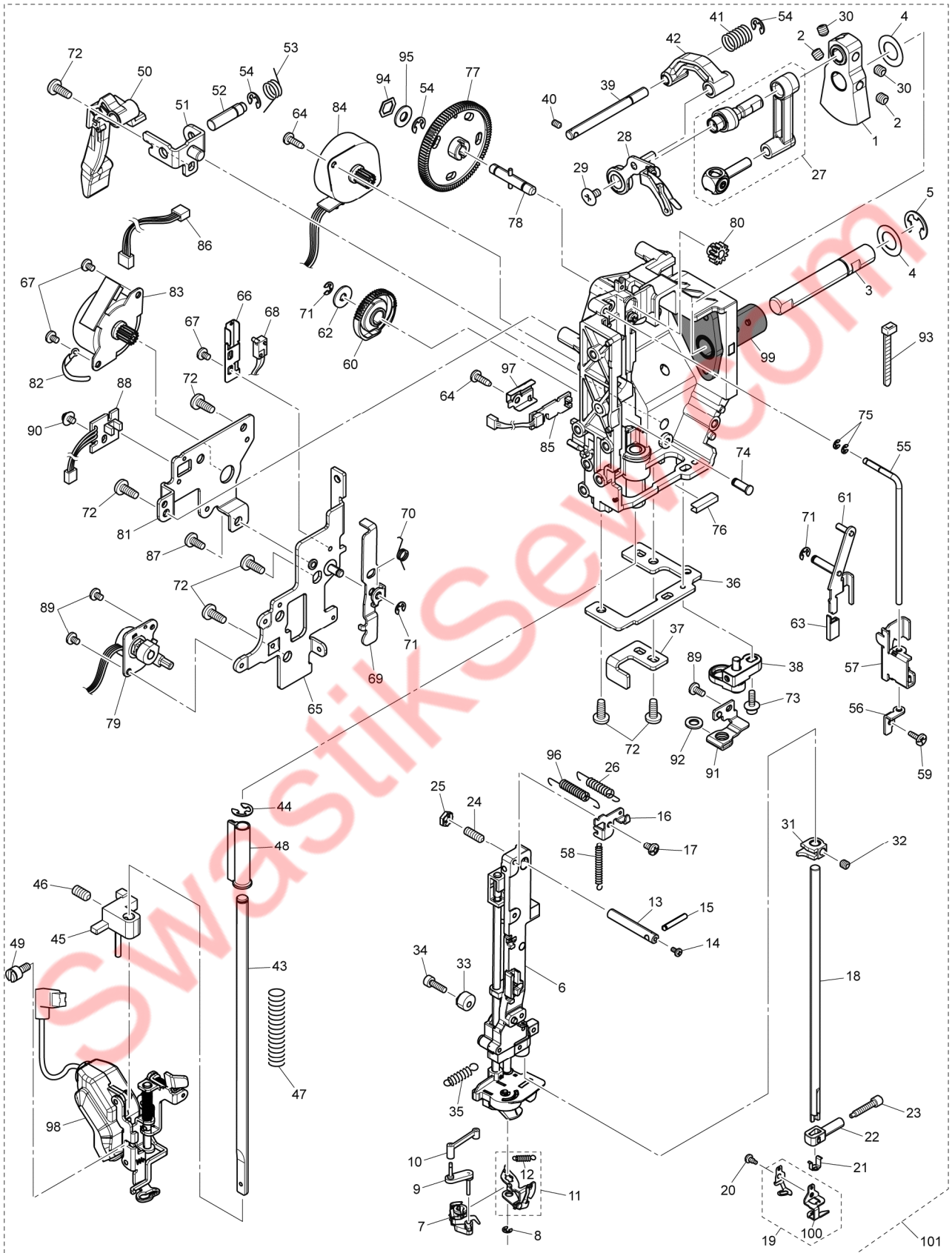
| No. | CODE      | NAME                    | REMARKS |
|-----|-----------|-------------------------|---------|
| 1   | XF4967001 | RIPPER ASSY             |         |
| 2   | X59476051 | CLEANING BRUSH          |         |
| 3   | XF2052001 | SCISSORS                |         |
| 4   | XA5523050 | NET                     |         |
| 5   | XC4237021 | DRIVER ASSY             |         |
| 6   | X55468051 | SCREW DRIVER S          |         |
| 7   | XE4912501 | STICKER                 |         |
| 8   | XA0070151 | POWER SUPPLY CORD       |         |
| 9   | ACC       | BOBBIN                  |         |
| 10  | XE3060001 | BOBBIN CLIP             |         |
| 11  | 130012057 | SPOOL PRESSER A         |         |
| 12  | 130013157 | SPOOL PRESSER B         |         |
| 13  | X55260156 | SPOOL PRESSER C         |         |
| 14  | XA5752121 | SPOOL CAP (SMALL)       |         |
| 15  | XC6469001 | NEEDLE ASSEMBLY         |         |
| 16  | XA9940051 | TOUCH PEN               |         |
| 17  | XZ0126051 | BAG 140X150C            |         |
| 18  | X60838051 | BAG, 70X110C            |         |
| 19  | XC4487021 | ACCESSORY BAG           |         |
| 20  | XC1074051 | DISC-SHAPED SCREWDRIVER |         |
| 21  | XC8619052 | EXTRA SPOOL PIN         |         |
|     |           |                         |         |
|     |           |                         |         |
|     |           |                         |         |
|     |           |                         |         |
|     |           |                         |         |
|     |           |                         |         |
|     |           |                         |         |
|     |           |                         |         |
|     |           |                         |         |
|     |           |                         |         |
|     |           |                         |         |
|     |           |                         |         |
|     |           |                         |         |
|     |           |                         |         |
|     |           |                         |         |
|     |           |                         |         |
|     |           |                         |         |
|     |           |                         |         |
|     |           |                         |         |
|     |           |                         |         |
|     |           |                         |         |
|     |           |                         |         |
|     |           |                         |         |
|     |           |                         |         |
|     |           |                         |         |
|     |           |                         |         |
|     |           |                         |         |
|     |           |                         |         |

## (9) USER MANUAL / OTHER PARTS / PACKAGE





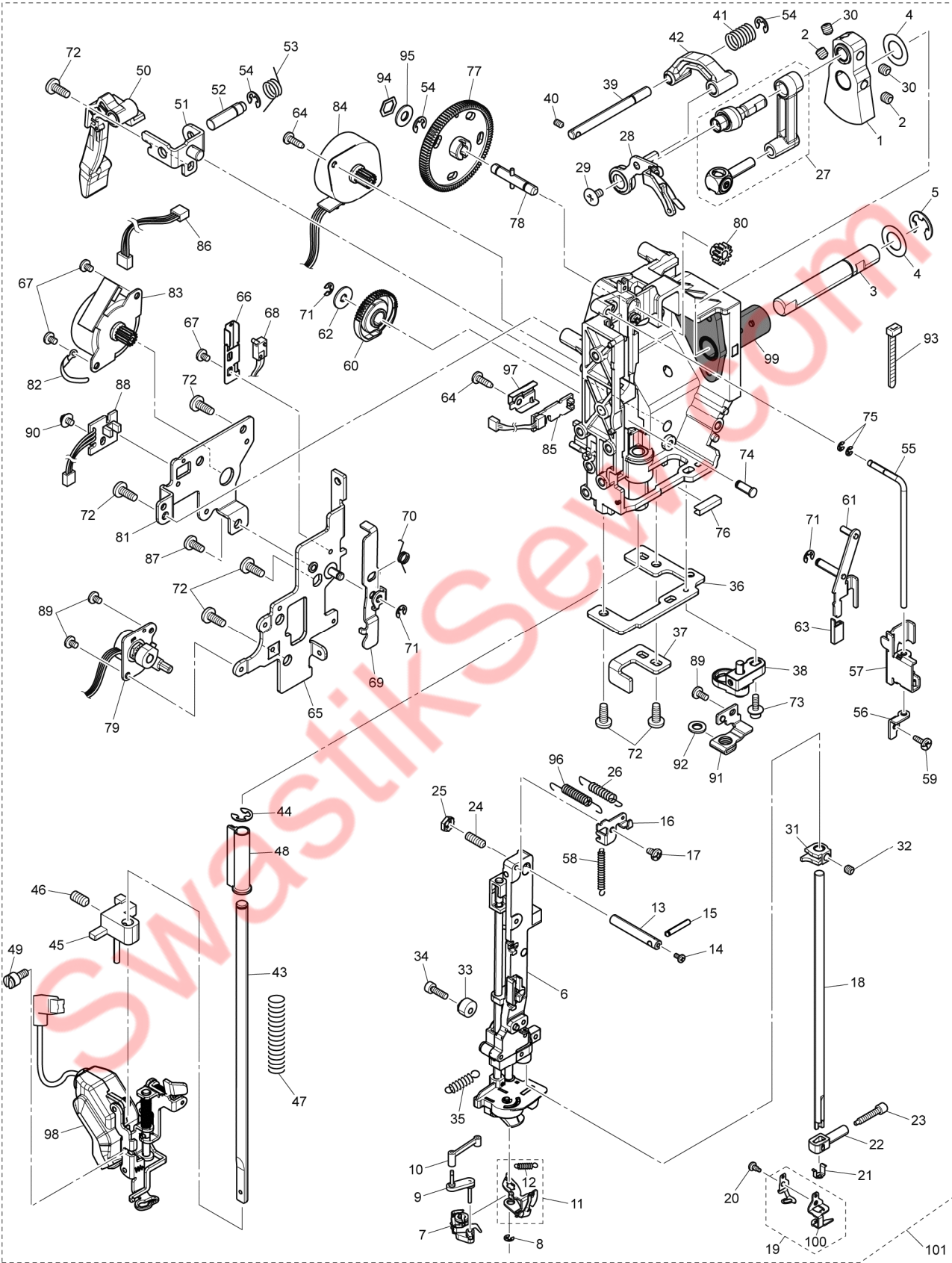
# NEEDLE-PRESSER MODULE



## NEEDLE-PRESSER MODULE

| No. | CODE      | NAME                           | REMARKS | No. | CODE      | NAME                         | REMARKS |
|-----|-----------|--------------------------------|---------|-----|-----------|------------------------------|---------|
| 1   | XC7784051 | THREAD TAKE-UP COUNTER WEIGHT  |         | 45  | XE4033001 | PRESSER BAR CLAMP ASSY       |         |
| 2   | 012500532 | SET SCREW SOCKET (FT) M5X5     |         | 46  | 014501032 | SET SCREW SOCKET (CP) M5X10  |         |
| 3   | XC7785051 | UNIT SHAFT                     |         | 47  | XC7810051 | SPRING                       |         |
| 4   | 131976050 | WASHER, THRUST                 |         | 48  | XC7811150 | PRESSER FOOT RACK            |         |
| 5   | 048080343 | RETAINING RING E8              |         | 49  | XA5904051 | SCREW                        |         |
| 6   | XF4573001 | NEEDLE BAR SUPPORTER ASSY      |         | 50  | XF3025001 | LIFT LEVER                   |         |
| 7   | XD1549351 | THREADER HOOK ASSY             |         | 51  | XE4036001 | LIFT LEVER HOLDER ASSY       |         |
| 8   | 048025343 | RETAINING RING E2.5            |         | 52  | XE4039001 | PRESSER LIFT LEVER SHAFT     |         |
| 9   | XD1546051 | LINK A ASSY                    |         | 53  | XE4040001 | SPRING, TORSION              |         |
| 10  | XG5716001 | LINK B                         |         | 54  | 048040343 | RETAINING RING E4            |         |
| 11  | XC9613151 | THREAD GUIDE ASSY              |         | 55  | XE4041001 | LEVER GUIDE SHAFT            |         |
| 12  | XC9616051 | SPRING                         |         | 56  | XE4022001 | LEVER SUPPORTER PLATE        |         |
| 13  | XC2419021 | SHAFT                          |         | 57  | XF3026001 | LEVER AB                     |         |
| 14  | 000020416 | SCREW BIND M2X4                |         | 58  | XC7816051 | SPRING                       |         |
| 15  | XC2420050 | SHAFT                          |         | 59  | 136681051 | TAPTITE, BIND B M3X8         |         |
| 16  | XD1488051 | PLATE                          |         | 60  | XE4047001 | Z ZIGZAG RELEASE CAM         |         |
| 17  | 060300516 | SCREW BIND M3X5                |         | 61  | XE4048001 | Z ZIGZAG LEVER SUB ASSY      |         |
| 18  | XE4028001 | NEEDLE BAR                     |         | 62  | XD0751051 | WASHER                       |         |
| 19  | XH2503101 | N/B THREAD GUIDE SUPPLY ASSY   |         | 63  | XC2480020 | Z LEVER CUP                  |         |
| 20  | X53053052 | SCREW SM2.38                   |         | 64  | X59629051 | TAPTITE, BIND B M3X10        |         |
| 21  | XC2426020 | NEEDLE THREAD PLATE            |         | 65  | XE4052201 | ADJUSTING PLATE ASSY         |         |
| 22  | XC2427151 | NEEDLE BLOCK                   |         | 66  | XC2641051 | PRESSER SWITCH HOLDER        |         |
| 23  | XZ0388251 | NEEDLE CLAMP SCREW             |         | 67  | 060300416 | SCREW BIND M3X4              |         |
| 24  | 014401232 | SET SCREW SOCKET (CP) M4X12    |         | 68  | XE4512001 | PF SWITCH ASSY               |         |
| 25  | X56851051 | LOCK NUT                       |         | 69  | XE4054001 | TENSION RELEASE SWITCH LEVER |         |
| 26  | XC2429021 | SPRING                         |         | 70  | XC9435051 | SPRING                       |         |
| 27  | XF5071001 | NEEDLE BAR CRANK R SUPPLY ASSY |         | 71  | 048030343 | RETAINING RING E3            |         |
| 28  | XE4029201 | THREAD TAKE-UP LEVER ASSY      |         | 72  | 085411015 | TAPTITE BIND B M4X10         |         |
| 29  | 132051052 | SCREW, FLAT SM3.57-40X7 L      |         | 73  | XC3037051 | SCREW3X10                    |         |
| 30  | 012500532 | SET SCREW SOCKET (FT) M5X5     |         | 74  | XE4055001 | Z CAM SHAFT                  |         |
| 31  | XC2434021 | NEEDLE THREAD BLOCK            |         | 75  | 048020343 | RETAINING RING E2            |         |
| 32  | 012400432 | SET SCREW SOCKET (FT) M4X4     |         | 76  | XC3034020 | THREAD GUIDE PLATE           |         |
| 33  | XC2435050 | ZIGZAG ADJUSTING NUT           |         | 77  | XC7827151 | PRESSER DIAL                 |         |
| 34  | 018301032 | BOLT SOCKET M3X10              |         | 78  | XC8372151 | PRESSER DIAL SHAFT ASSY      |         |
| 35  | XC2748021 | SPRING-Z                       |         | 79  | XE4057001 | PT HOLDER ASSEMBLY           |         |
| 36  | XF3020001 | NEEDLE HOLDER BLOCK BASE       |         | 80  | XC7830050 | PRESSER DIAL GEAR            |         |
| 37  | XF3034001 | PRESSER BAR SUPPORT PLATE      |         | 81  | XE4059001 | PRESSER PM HOLDER            |         |
| 38  | XF3035101 | NEEDLE HOLDER BLOCK ASSY       |         | 82  | 137947001 | CLIP                         |         |
| 39  | XC8374051 | SHAFT                          |         | 83  | XE5681001 | PFPM INSULATION ASSY         |         |
| 40  | 014300532 | SET SCREW SOCKET (CP) M3X5     |         | 84  | XE4375001 | PULSE MOTOR: Z SMW35-4807-A  |         |
| 41  | XC2441021 | SPRING                         |         | 85  | XE4406001 | Z INIT PCB ASSY              |         |
| 42  | XC2443020 | THREAD TAKE-UP LEVER LINK      |         | 86  | XE4419001 | LEAD WIRE ASSY PFPM          |         |
| 43  | XF3021001 | PRESSER BAR                    |         | 87  | 060400516 | SCREW BIND M4X5              |         |
| 44  | 048050343 | RETAINING RING E5              |         | 88  | XH3712001 | PF INT PCB ASSY              |         |

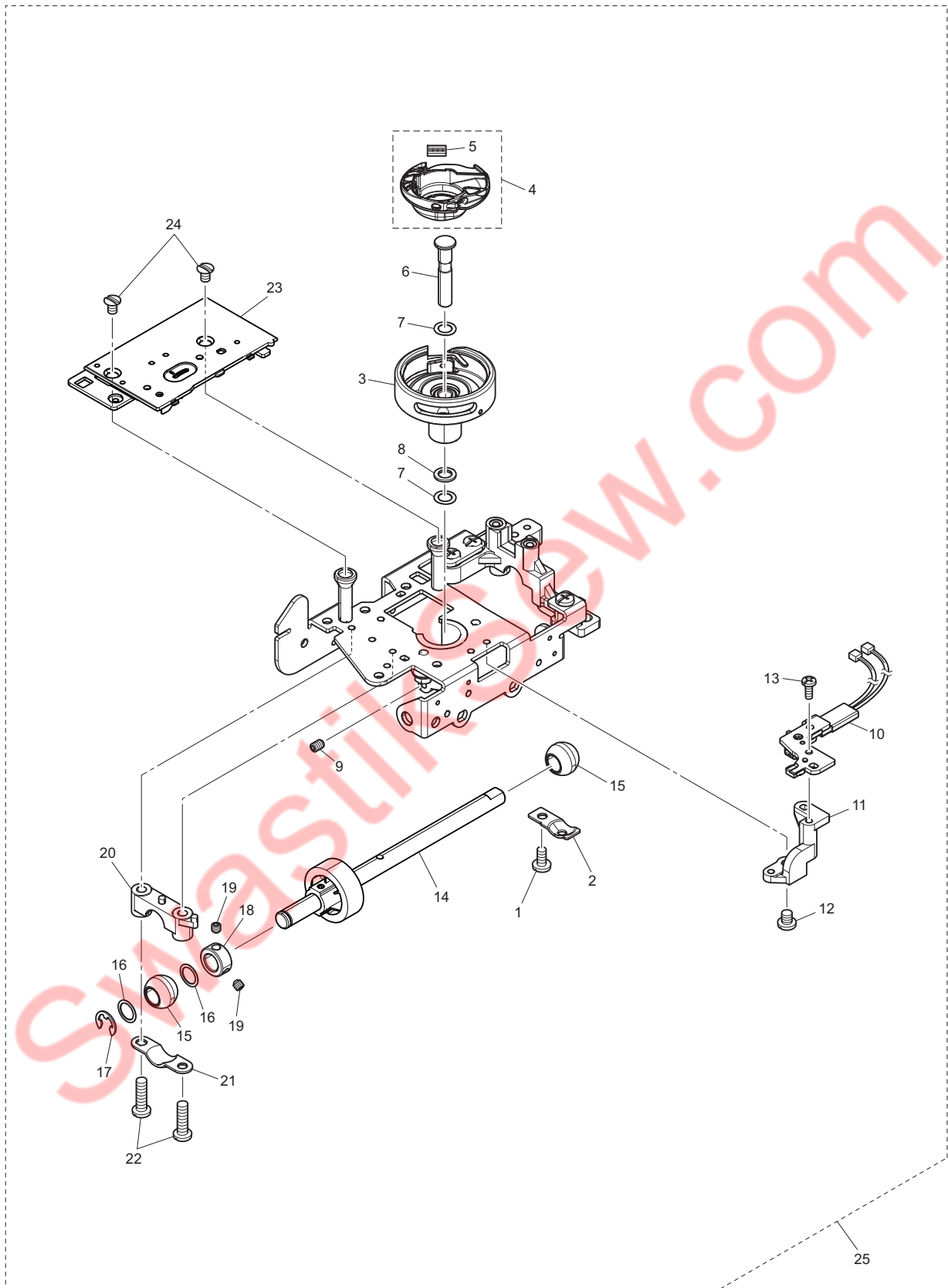
# NEEDLE-PRESSER MODULE







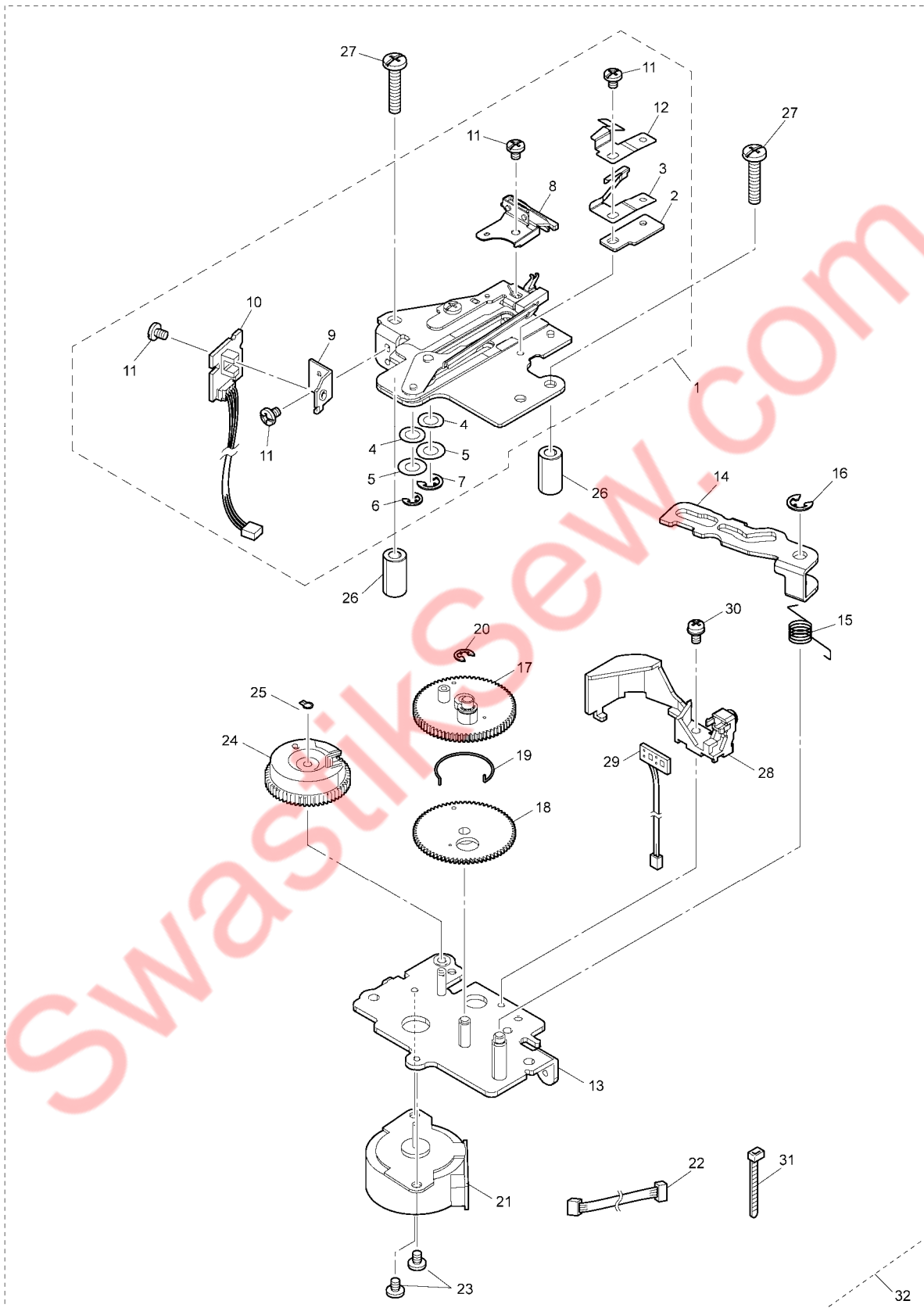
# FEED MODULE



## FEED MODULE

| No. | CODE      | NAME                           | REMARKS |
|-----|-----------|--------------------------------|---------|
| 1   | 060400816 | SCREW BIND M4X8                |         |
| 2   | 132421051 | BUSHING PRESSER                |         |
| 3   | XG9621001 | OUTER ROTARY HOOK ASSY         |         |
| 4   | XF5790101 | INNER ROTARY HOOK ASSY         |         |
| 5   | XC3137000 | PILE                           |         |
| 6   | XC2230051 | OUTER ROTARY HOOK SHAFT        |         |
| 7   | 137805052 | SPACER                         |         |
| 8   | 137976051 | WASHER 6                       |         |
| 9   | 014400632 | SET SCREW SOCKET (CP) M4X6     |         |
| 10  | XH3995001 | INNER ROTARY HOOK BRACKET ASSY |         |
| 11  | XE5384001 | STOPPER PLATE BLOCK ASSY       |         |
| 12  | 060400516 | SCREW BIND M4X5                |         |
| 13  | 060300816 | SCREW BIND M3X8                |         |
| 14  | XF4577001 | LOWER SHAFT B ASSY             |         |
| 15  | X52664050 | LOWER SHAFT BUSHING            |         |
| 16  | X51383050 | WASHER, THRUST                 |         |
| 17  | 048060343 | RETAINING RING E6              |         |
| 18  | 137768151 | SET SCREW COLLAR               |         |
| 19  | 014400432 | SET SCREW SOCKET (CP) M4X4     |         |
| 20  | XC2566021 | BUSHING SUPPORTER A            |         |
| 21  | XC2567021 | BUSHING PRESSER A              |         |
| 22  | 060401616 | SCREW BIND M4X16               |         |
| 23  | XF4578101 | NEEDLE PLATE A ASSY            |         |
| 24  | X50487051 | SCREW M4                       |         |
| 25  | XH4002001 | FEED MODULE SUPPLY ASSY        |         |
|     |           |                                |         |
|     |           |                                |         |
|     |           |                                |         |
|     |           |                                |         |
|     |           |                                |         |
|     |           |                                |         |
|     |           |                                |         |
|     |           |                                |         |
|     |           |                                |         |
|     |           |                                |         |
|     |           |                                |         |
|     |           |                                |         |
|     |           |                                |         |
|     |           |                                |         |
|     |           |                                |         |
|     |           |                                |         |
|     |           |                                |         |
|     |           |                                |         |
|     |           |                                |         |
|     |           |                                |         |
|     |           |                                |         |
|     |           |                                |         |
|     |           |                                |         |
|     |           |                                |         |

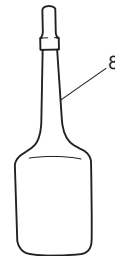
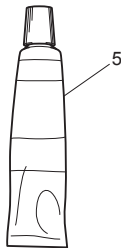
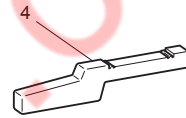
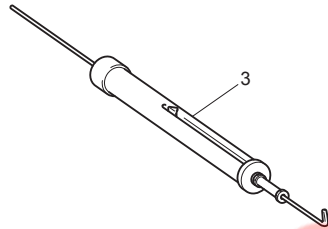
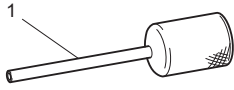
# THREAD CUTTER MODULE



## THREAD CUTTER MODULE

| No. | CODE      | NAME                          | REMARKS |
|-----|-----------|-------------------------------|---------|
| 1   | XH3923001 | THREAD CUTTER ASSY            |         |
| 2   | XE4113001 | PRESSER PLATE                 |         |
| 3   | XE5338001 | SPRING PLATE                  |         |
| 4   | 137713050 | POLYESTER SLIDER              |         |
| 5   | X56731050 | WASHER                        |         |
| 6   | 048030343 | RETAINING RING E3             |         |
| 7   | 048040343 | RETAINING RING E4             |         |
| 8   | XE4486101 | CUTTER PILE ASSY              |         |
| 9   | XE4147001 | INITIAL HOLDER                |         |
| 10  | XH3713001 | C INT PCB ASSY                |         |
| 11  | 060300416 | SCREW BIND M3X4               |         |
| 12  | XE4114201 | SPRING PLATE                  |         |
| 13  | XE4133001 | MOTOR HOLDER ASSY             |         |
| 14  | XE4138001 | THREAD CUTTER LEVER           |         |
| 15  | XE4139001 | SPRING,TWIST                  |         |
| 16  | 048040343 | RETAINING RING E4             |         |
| 17  | XE4140001 | THREAD CUTTER LEVER GEAR ASSY |         |
| 18  | XE4143001 | THREAD CUTTER LEVER GEAR B    |         |
| 19  | XE4144001 | SPRING                        |         |
| 20  | 048030343 | RETAINING RING E3             |         |
| 21  | XC8228051 | ASSY:PF PULSE MOTOR           |         |
| 22  | XF3314001 | LEAD WIRE ASSY CPM V          |         |
| 23  | 060300416 | SCREW BIND M3X4               |         |
| 24  | XE4145001 | CUTTER CAM GEAR               |         |
| 25  | XE4920001 | RETAINING RING EXTERNAL C3    |         |
| 26  | XC2594151 | COLLAR                        |         |
| 27  | 060402016 | SCREW BIND M4X20              |         |
| 28  | XE4146001 | SENSOR HOLDER                 |         |
| 29  | XE4788001 | PHOTO TRANSISTOR PCB ASSY     |         |
| 30  | 0A4300606 | SCREW PAN (S/P WASHER) M3X6   |         |
| 31  | X53169050 | BAND                          |         |
| 32  | XH3957001 | THRAED CUTTER SUPPLY ASSY     |         |
|     |           |                               |         |
|     |           |                               |         |
|     |           |                               |         |
|     |           |                               |         |
|     |           |                               |         |
|     |           |                               |         |
|     |           |                               |         |
|     |           |                               |         |
|     |           |                               |         |
|     |           |                               |         |
|     |           |                               |         |
|     |           |                               |         |
|     |           |                               |         |
|     |           |                               |         |
|     |           |                               |         |
|     |           |                               |         |
|     |           |                               |         |
|     |           |                               |         |
|     |           |                               |         |
|     |           |                               |         |
|     |           |                               |         |
|     |           |                               |         |

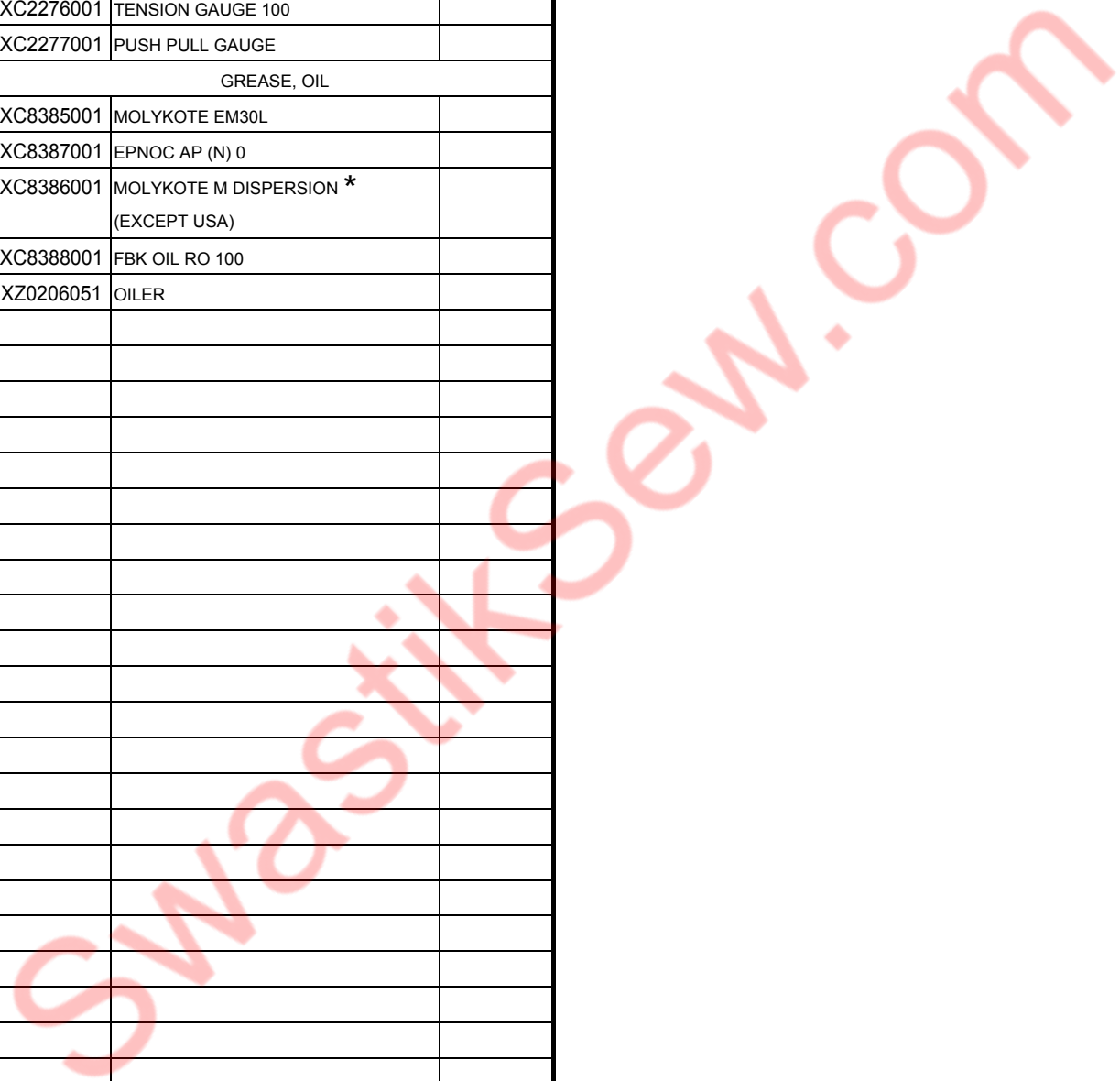
# SPARE PARTS



SwastikSew.com

# SPARE PARTS

| No.         | CODE      | NAME                                    | REMARKS |
|-------------|-----------|---|---------|
| DRIVER      |           |   |         |
| 1           | XE2395001 | BOX SCREW DRIVER 6                      |         |
| GAUGE       |           |   |         |
| 2           | XA9152001 | TENSION GAUGE 10                        |         |
|             | XA9153001 | TENSION GAUGE 30                        |         |
|             | XA9154001 | TENSION GAUGE 50                        |         |
|             | XC2276001 | TENSION GAUGE 100                       |         |
| 3           | XC2277001 | PUSH PULL GAUGE                         |         |
| GREASE, OIL |           |   |         |
| 4           | XC8385001 | MOLYKOTE EM30L                          |         |
| 5           | XC8387001 | EPNOC AP (N) 0                          |         |
| 6           | XC8386001 | MOLYKOTE M DISPERSION *<br>(EXCEPT USA) |         |
| 7           | XC8388001 | FBK OIL RO 100                          |         |
| 8           | XZ0206051 | OILER                                   |         |
|             |           |   |         |
|             |           |   |         |
|             |           |   |         |
|             |           |   |         |
|             |           |   |         |
|             |           |   |         |
|             |           |   |         |
|             |           |   |         |
|             |           |   |         |
|             |           |   |         |
|             |           |   |         |
|             |           |   |         |
|             |           |   |         |
|             |           |   |         |
|             |           |   |         |
|             |           |   |         |
|             |           |   |         |
|             |           |   |         |
|             |           |   |         |
|             |           |   |         |
|             |           |   |         |
|             |           |   |         |
|             |           |   |         |
|             |           |   |         |
|             |           |   |         |
|             |           |   |         |
|             |           |   |         |



\* USA must purchase in the US. (It's not listed on the TSCA).

**brother**

SwastikSew.com