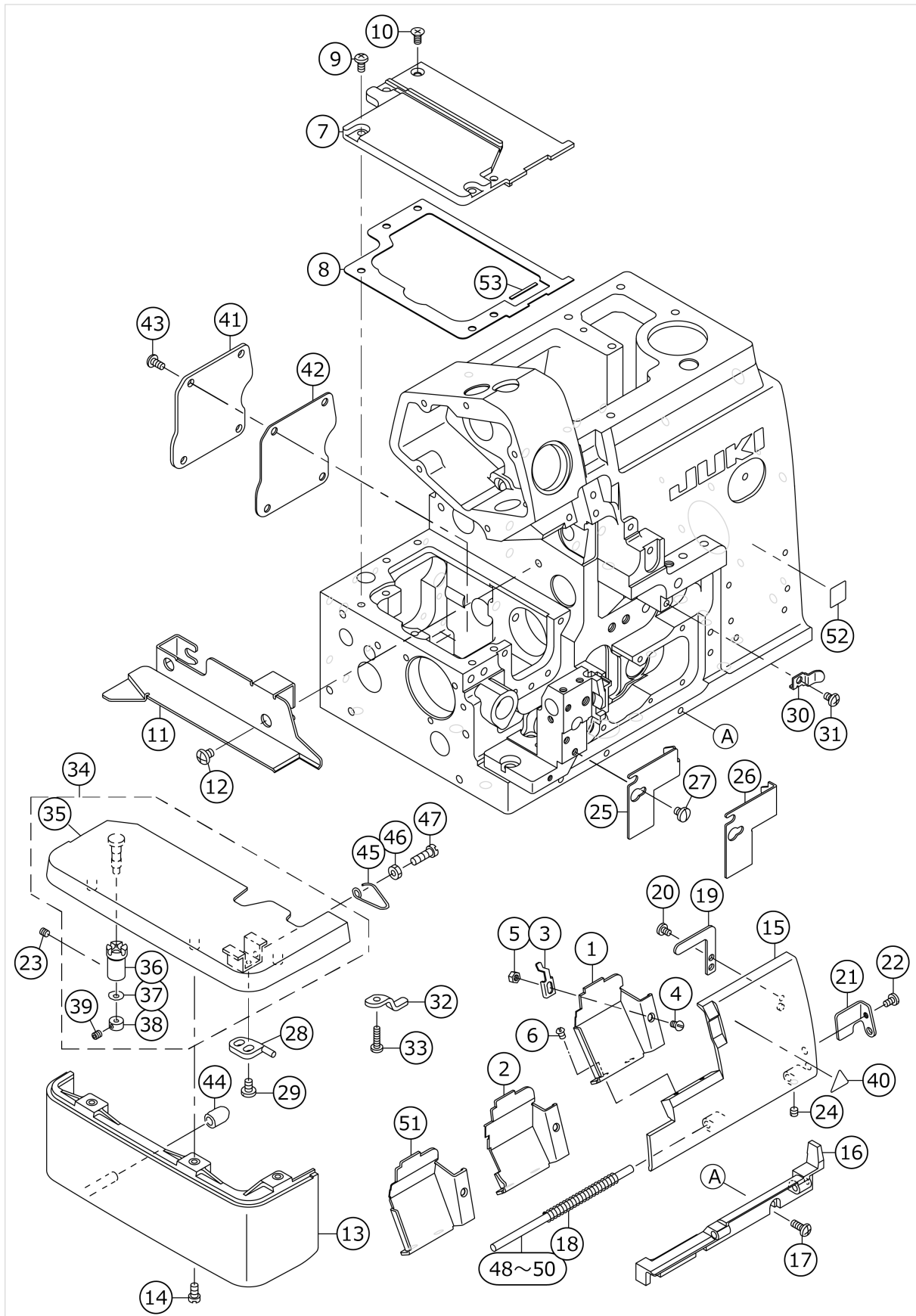


MO-6700S Series

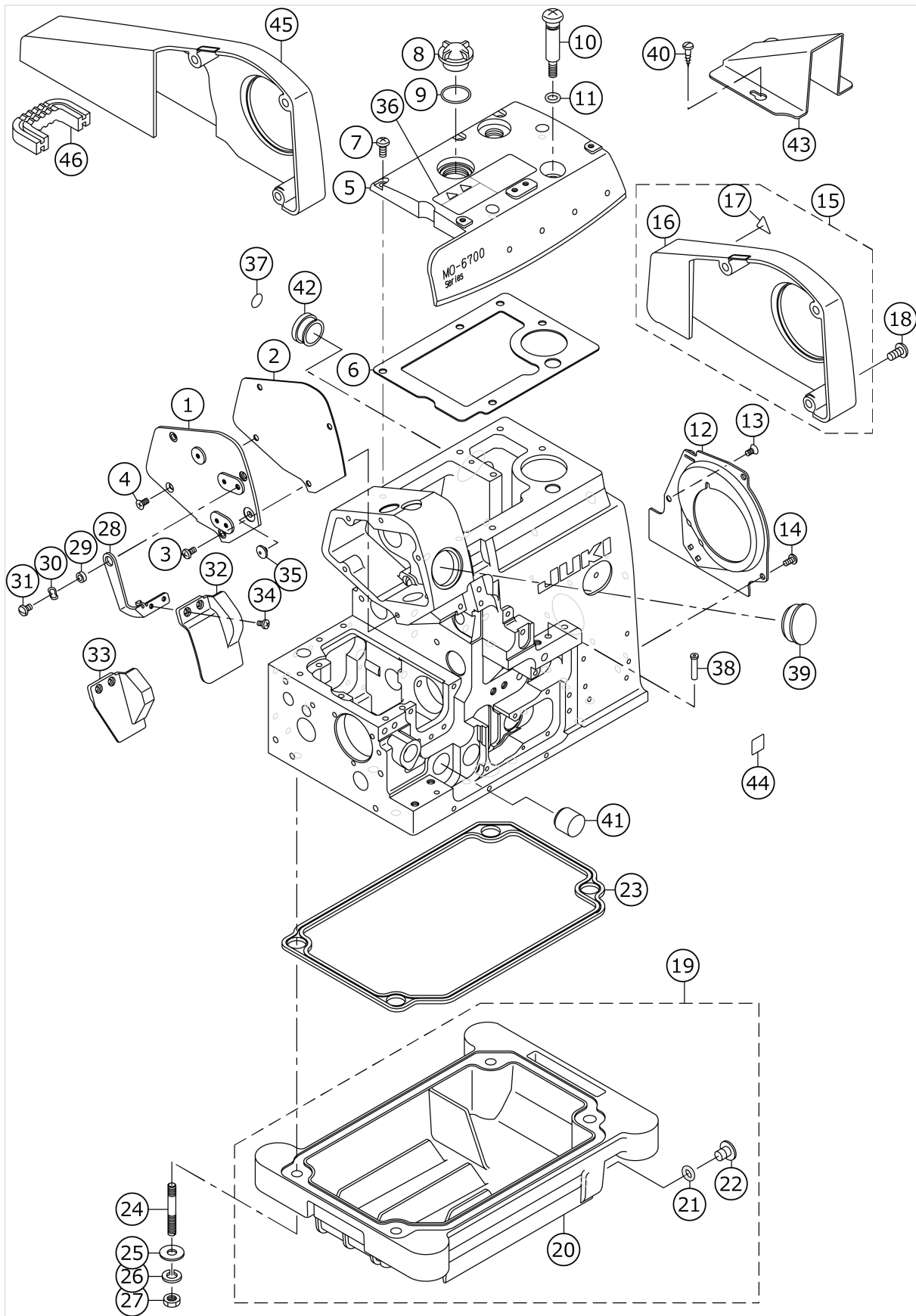
MISCELLANEOUS COVER COMPONENTS (1)



No.	品番	品名	備考	子部品	消耗品	個数
1	13104005	CLOTH WASTE COVER	FOR MO-6704S,M O-6714S(EXCEPT TYPE SH)			1.00
2	13104203	CLOTH WASTE COVER	FOR MO-6716S			1.00
3	13102405	CROTH WASTE COVER STOPPER				1.00
4	SS2090520SL	SCREW 9/64-40 L=5				1.00
5	NS6090310SN	NUT 9/64-40				1.00
6	SS3090610SP	SCREW 9/64-40 L=6				2.00
7	13200704	FEED MECHANISM COVER				1.00
8	13200803	FEED MECHANISM COVER GASKET				1.00
9	SM4040855SP	SCREW				4.00
10	SM1040801SC	SCREW M4X0.7 L=8				1.00
11	12342101	CLOTH BASE SIDE COVER				1.00
12	SS4120615SP	SCREW 3/16-28 L=6				2.00
13	13103809	CLOTH BASE COVER				1.00
14	SS4091015SP	SCREW 9/64-40 L=10				2.00
15	13100904	LOOPER COVER				1.00
16	13100805	LOOPER COVER BRACKET				1.00
17	SM4041055SP	SCREW M4 L=10				3.00
18	13101209	LOOPER COVER SPRING				1.00
19	13101407	LOOPER COVER PRESSER PLATE				1.00
20	SS7090530SP	SCREW 9/64-40 L=4.5				1.00
21	13101001	LOOPER COVER GUIDE PLATE				1.00
22	SS7090610SP	SCREW 9/64-40 L=6				1.00
23	SS8110410TP	SCREW 11/64-40 L=3.5				1.00
24	SS8110410TP	SCREW 11/64-40 L=3.5				1.00
25	13101506	CLOTH WASTE COVER LEFT	FOR MO-6704S,MO-6714S			1.00
26	13101605	CLOTH WASTE COVER LEFT	FOR MO-6716S			1.00
27	SS7110510SP	SCREW 11/64-40 L=5				2.00
28	13101704	CLOTH BASE SWITCH-TYPE STOPPER				1.00
29	SS7110710SP	SCREW 11/64-40 L=7				2.00
30	13101308	LOOPER COVER PRESSER SPRING				1.00
31	SM4040655SP	SCREW M4 L=6				1.00
32	13101803	CROTH BASE SUPPORT PLATE				1.00
33	SS7091410SP	SCREW 9/64-40 L=13.5				1.00
34	13103650	CLOTH BASE Cmpl.				1.00
35	13102058	CLOTH BASE ASM.		*		1.00
36	13101902	CLOTH BASE ECCENTRIC BUSHING		*		1.00
37	WZ0420350KP	DISC SPRING		*		1.00
38	13172903	CLOTH BASE HINGE SHAFT COLLAR		*		1.00
39	SM8040302TP	SETSCREW		*		1.00
40	CM300200001	ATTENTION SEAL				1.00
41	40102307	ADJUSTING_HOLE_COVER				1.00
42	13201603	ADJUSTING HOLE COVER GASKET				1.00
43	SM4040855SP	SCREW				4.00
44	13104302	CLOTH BASE COVER RUBBER PLUG				1.00
45	13102207	CLOTH BASE SWITCH-TYPE SPRING				1.00
46	NS6110420SP	NUT 11/64-40				1.00
47	SS6111440SP	SCREW 11/64-40 L=14.0				1.00

48	13240007	LOOPER COVER HINGE SHAFT A	SELECTIVE PARTS			1.00
49	13240106	LOOPER COVER HINGE SHAFT B	SELECTIVE PARTS			1.00
50	13240205	LOOPER COVER HINGE SHAFT C	SELECTIVE PARTS			1.00
51	13104104	CLOTH WASTE COVER	FOR MO-6704S,M O-6714S(FOR TY PE SH)			1.00
52	40150131	EAC_MARK_LABEL_S	FOR JE			1.00
53	70004856	FEED_MECHANISM_COVER_SMALL_GAS				1.00

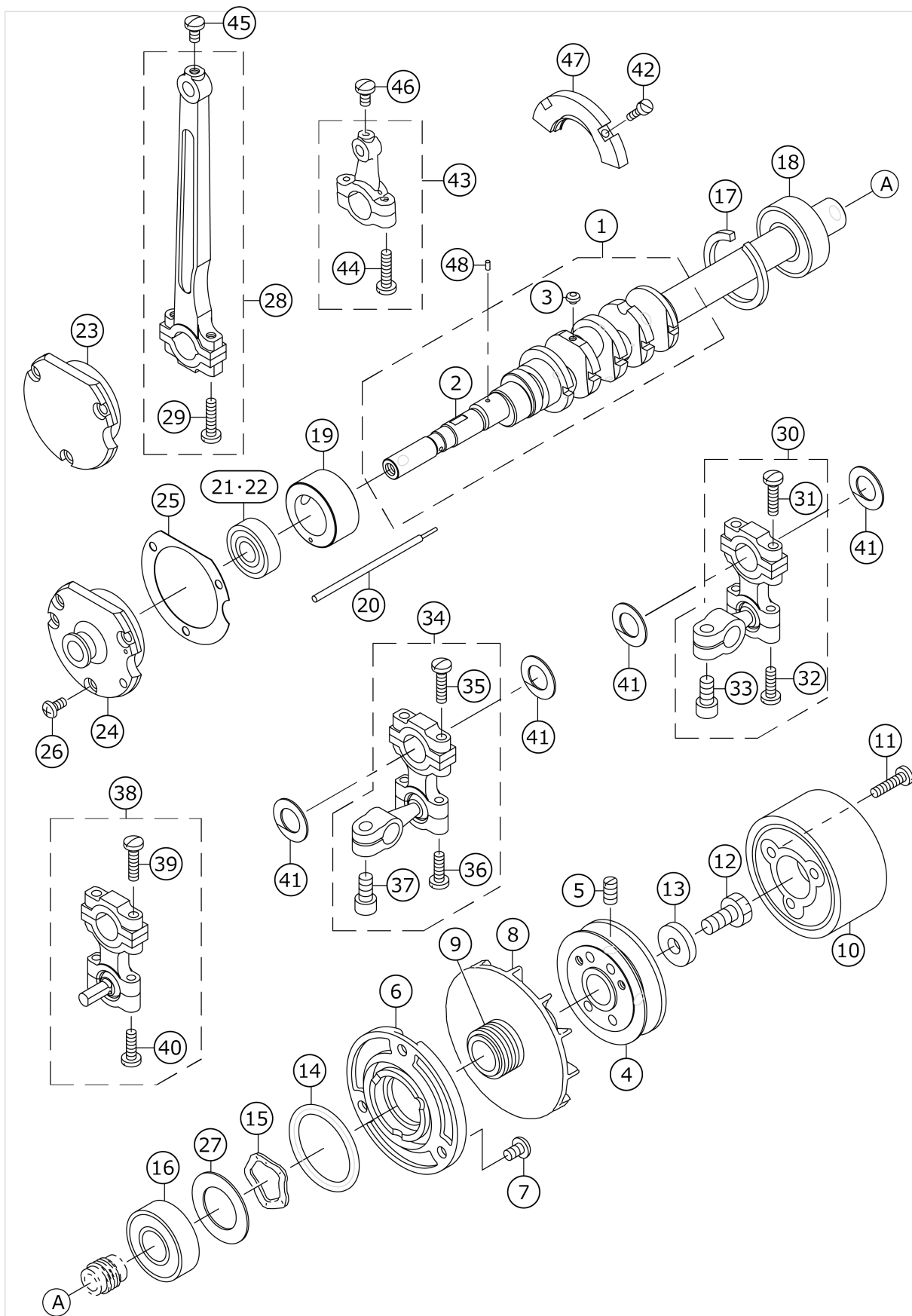
MISCELLANEOUS COVER COMPONENTS (2)



No.	品番	品名	備考	子部品	消耗品	個数
1	13200209	SIDE COVER				1.00
2	13200308	SIDE COVER GASKET				1.00
3	SM4040855SP	SCREW				3.00
4	SM1040801SC	SCREW M4X0.7 L=8				1.00
5	13200506	UPPER COVER				1.00
6	13200605	UPPER COVER GASKET				1.00
7	SM4051255SP	SCREW M5 L=12				5.00
8	22924708	OIL SIGHT WINDOW				1.00
9	13170006	RUBBER RING				1.00
10	13104500	OIL DRAIN SCREW				1.00
11	13170204	RUBBER RING				1.00
12	13201009	COOLING FAN PLATE				1.00
13	SM1040801SC	SCREW M4X0.7 L=8				1.00
14	SM4040855SP	SCREW				2.00
15	13201454	BELT COVER ASM.	VARIOUS NOS. F OR DESTINATION S			1.00
16	13201405	BELT COVER		*		1.00
17	CM300200001	ATTENTION SEAL		*		1.00
18	SS4151215SP	SCREW 15/64-28 L=12				3.00
19	13102553	OIL RESERVOIR ASM.				1.00
20	13102504	OIL RESERVOIR		*		1.00
21	13170105	RUBBER RING		*		1.00
22	13171004	DRAIN SCREW		*		1.00
23	13102603	OIL RESERVOIR GASKET				1.00
24	13103908	SCREW STUD				4.00
25	WP0751576SD	WASHER 7.5X19X1.5				4.00
26	WS0822010KP	SPRING WASHER 8.2X15X2				4.00
27	NS6680410SP	NUT 9/32-28				4.00
28	13201108	SAFETY PLATE BRACKET				1.00
29	13104807	SAFETY PLATE BRACKET COLLAR				1.00
30	WZ0850302K0	WAVED WASHER 8.5X12.5X0.3				1.00
31	SS5110710SP	SCREW 11/64-40 L=7				1.00
32	13201306	SAFETY PLATE	FOR MO-6716S			1.00
33	13201207	SAFETY PLATE	FOR MO-6704S,MO-6714S			1.00
34	SS7090611SL	SCREW 9/64-40 L=6.1				2.00
35	13204003	SAFETY PLATE BUSH				1.00
36	CM301300001	SAFETY LABEL				1.00
37	22901805	GROUND MARK				1.00
38	13102900	THREAD GUIDE LARGE				2.00
39	10753309	WINDOW PLATE RUBBER PLUG				1.00
40	SK3412001SE	WOOD SCREW D=4.1 L=20				2.00
41	TA1871602R0	RUBBER PLUG	FOR MO-6704S,MO-6714S			1.00
42	TA2050805R0	RUBBER PLUG				1.00
43	13160700	BELT COVER (B)				1.00
44	CM600100101	WEEE MARK LABEL S	FOR JE,TURKEY			1.00
45	40037392	BELT COVER C	VARIOUS NOS. F OR DESTINATION S			1.00

46	40040065	VIBRATION PROOF RUBBER	VARIOUS NOS. F OR DESTINATION S			1.00
----	----------	------------------------	---------------------------------------	--	--	------

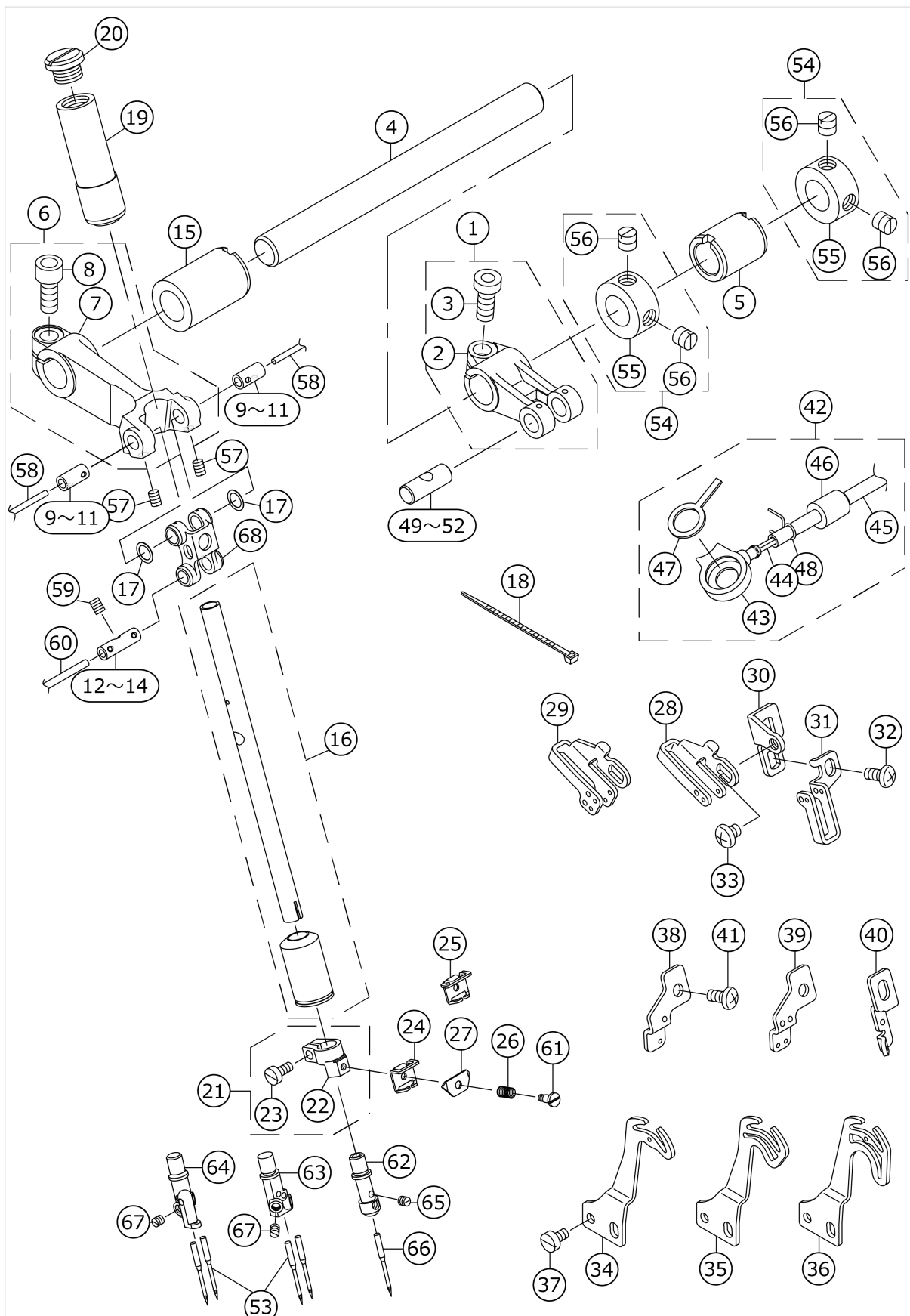
CRANKSHAFT COMPONENTS



No.	品番	品名	備考	子部品	消耗品	個数
1	40023235	MAIN SHAFT ASM.				1.00
2	40023234	MAIN SHAFT (300)		*		1.00
3	SS5080212TP	SCREW 1/8-44 L=2		*		5.00
4	13107602	HANDWHEEL (A)				1.00
5	SS8151150TP	SCREW 15/64-28 L=10.5				2.00
6	12271706	THRUST HOLDER				1.00
7	SM4050855SP	SCREW M5 L=8				3.00
8	13108402	COOLING FAN				1.00
9	13108501	CRANKSHFT OIL SHIELD				1.00
10	13107701	HANDWHEEL				1.00
11	SS7111810TP	SCREW 11/64-40 L=18				3.00
12	SS9681610TP	SCREW 9/32-28 L=16				1.00
13	WP0764016SP	WASHER				1.00
14	13170303	RUBBER RING				1.00
15	WZ2640310KH	WAVED WASHER 26.4X33.9X3.5				1.00
16	B1211804000	BALL BEARING B				1.00
17	B1212704000	BEARING RETAINER				1.00
18	B1211804000	BALL BEARING B				1.00
19	13205406	CRANKSHAFT BUSHING C				1.00
20	13104906	OIL ADJUSTING BAR				1.00
21	B1215804000	BALL BEARING D	FOR MO-6704S,MO-6714S			1.00
22	SB110000300	BALL BEARING	FOR MO-6716S			1.00
23	13108006	CRANKSHAFT BUSHING D	FOR MO-6704S,MO-6714S			1.00
24	13108105	CRANKSHAFT BUSHING D	FOR MO-6716S			1.00
25	13108204	CRANKSHAFT BUSHING GASKET				1.00
26	SM4040855SP	SCREW				3.00
27	13108303	BEARING HOLDING PLATE				1.00
28	12109153	CONNECTING ROD ASM.				1.00
29	SS7111810TP	SCREW 11/64-40 L=18		*		2.00
30	12122362	UPPER LOOPER ROD ASM.				1.00
31	SS7111810TP	SCREW 11/64-40 L=18		*		2.00
32	SS7111410TP	SCREW 11/64-40 L=14		*		2.00
33	SM6061202TP	SCREW M6 L=12		*		1.00
34	12123360	LOWER LOOPER ROD ASM. A	FOR MO-6704S,MO-6714S			1.00
35	SS7111810TP	SCREW 11/64-40 L=18		*		2.00
36	SS7111410TP	SCREW 11/64-40 L=14		*		2.00
37	SM6061202TP	SCREW M6 L=12		*		1.00
38	12120150	LOWER LOOPER ROD ASM. B	FOR MO-6716S			1.00
39	SS7111810TP	SCREW 11/64-40 L=18		*		2.00
40	SS7111410TP	SCREW 11/64-40 L=14		*		2.00
41	40017824	LOOPER LOD STOPPER				4.00
42	SS6081210TP	SCREW 1/8-44 L=12				2.00
43	12132155	KNIFE DRIVING ROD ASM.				1.00
44	SS7111810TP	SCREW 11/64-40 L=18		*		2.00
45	SS7110840SP	SCREW 11/64-40 L=7.8				1.00
46	SS7110840SP	SCREW 11/64-40 L=7.8				1.00
47	40017714	BALANCER				1.00

48	40035711	OIL WICK				1.00
----	----------	----------	--	--	--	------

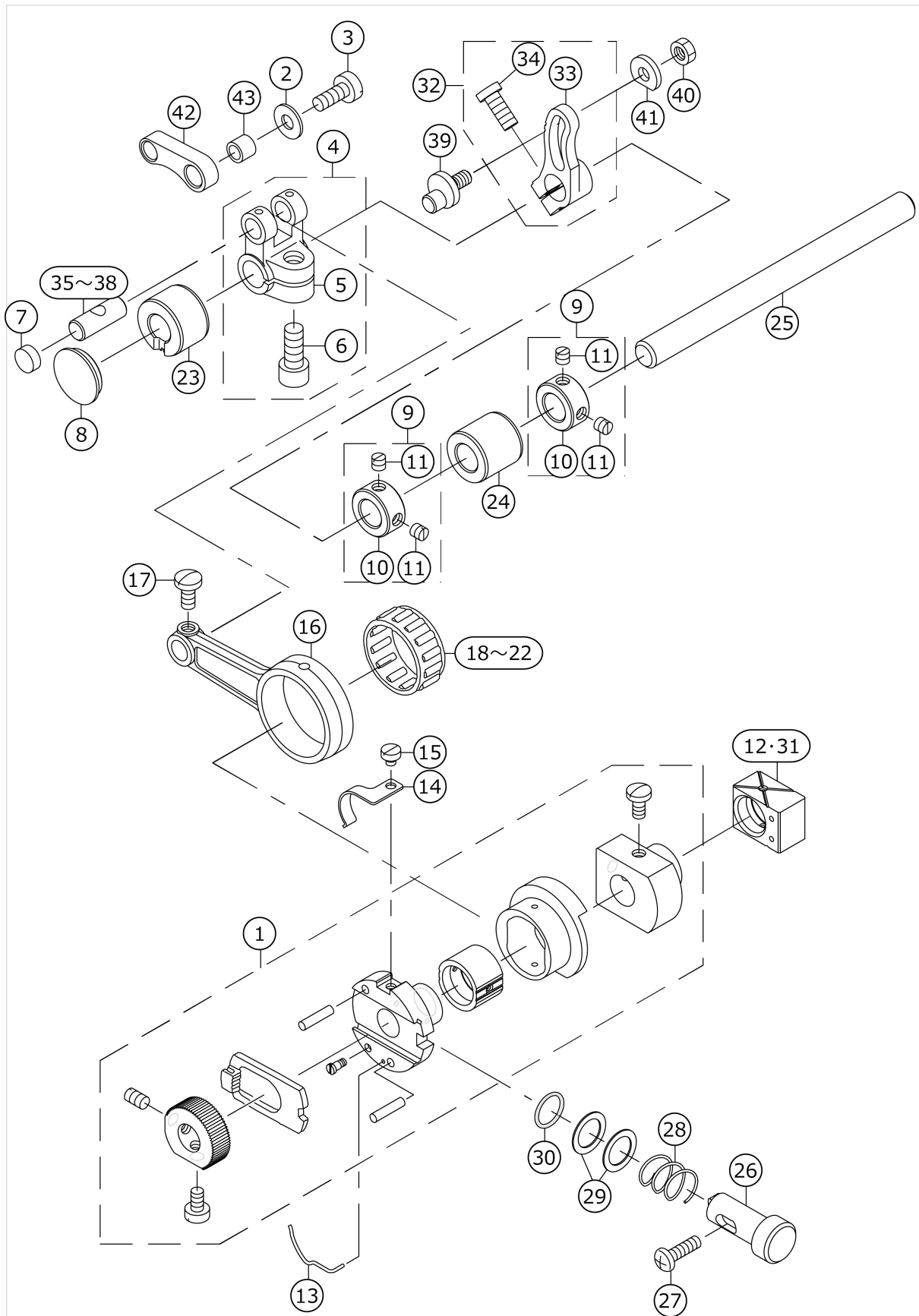
NEEDLE DRIVING SHAFT COMPONENTS



No.	品番	品名	備考	子部品	消耗品	個数
1	13110556	FEED FORKED CRANK ASM.				1.00
2	13110507	NEEDLE DRIVING BRANCH CRANK		*		1.00
3	SM6061402TP	SCREW M6 L=14		*		1.00
4	13110606	NEEDLE DRIVING SHAFT				1.00
5	13110101	BUSHING REAR				1.00
6	13209853	NEEDLE DRIVING ARM ASM.				1.00
7	13209804	NEEDLE DRIVING ARM		*		1.00
8	SM6061402TP	SCREW M6 L=14		*		1.00
9	13209101	NEEDLE DRIVING ARM PIN A	SELECTIVE PARTS			2.00
10	13209200	NEEDLE DRIVING ARM PIN B	SELECTIVE PARTS			2.00
11	13209309	NEEDLE DRIVING ARM PIN C	SELECTIVE PARTS			2.00
12	13209408	NEEDLE DRIVING PIN A	SELECTIVE PARTS			1.00
13	13209507	NEEDLE DRIVING PIN B	SELECTIVE PARTS			1.00
14	13209606	NEEDLE DRIVING PIN C	SELECTIVE PARTS			1.00
15	13110002	BUSHING REAR				1.00
16	13208350	NEEDLE ROD (A) ASM.				1.00
17	13208103	NEEDLE DRIVING LINK WASHER				2.00
18	EA9500B0100	CABLE BAND				1.00
19	13209705	NEEDLE ROD BUSHING UPPER				1.00
20	13207808	NEEDLE ROD BUSHING CAP SCREW				1.00
21	13110259	NEEDLE CLAMP HOLDER ASM.				1.00
22	13110200	NEEDLE CLAMP HOLDER		*		1.00
23	SS6080720SP	SCREW 1/8-44 L=7		*		1.00
24	13110705	NEEDLE THREAD PRESSER GUIDE A	FOR MO-6704S,MO-6714S			1.00
25	13110804	NEEDLE THREAD PRESSER GUIDE B	FOR MO-6716S			1.00
26	13110903	NEEDLE THREAD PRESSER SPRING				1.00
27	13111000	NEEDLE THREAD PRESSER PLATE A				1.00
28	13208806	NEEDLE THREAD GUIDE	FOR MO-6704S,MO-6716S			1.00
29	13208905	THREAD GUIDE 2-NEEDLE	FOR MO-6714S			1.00
30	13208707	NEEDLE THREAD GUIDE BASE				1.00
31	13111109	THREAD GUIDE CHAIN LOOPER	FOR MO-6716S			1.00
32	SM4040855SP	SCREW				2.00
33	SS4110515SP	SCREW 11/64-40 L=5				1.00
34	13111208	NEEDLE THREAD TAKE-UP LEVER	FOR MO-6704S			1.00
35	13111307	TAKE-UP LEVER 2-NEEDLE	FOR MO-6714S			1.00
36	13111406	TAKE-UP LEVER CHAIN LOOP	FOR MO-6716S			1.00
37	SS6090670TP	SCREW 9/64-40 L=6				2.00
38	13111505	NEEDLE THREAD BALANCE GUIDE	FOR MO-6704S,MO-6716S			1.00
39	13111604	TAKE-UP LEVER GUIDE 2-NEEDLE	FOR MO-6714S			1.00
40	13111703	TAKE-UP LEVER GUIDE CHAIN LOOP	FOR MO-6716S			1.00
41	SM4040855SP	SCREW				1.00

42	13208459	ONCE THROUGH OIL PIPE ASM.				1.00
43	13208509	ONCE THROUGH OIL COVER		*		1.00
44	CQ200000000	OIL WICK		*		0.80
45	23630007	TUBE		*		0.39
46	13244009	ONCE THROUGH OIL PIPE BUSHING		*		1.00
47	13208608	ONCE THROUGH OIL FELT		*		1.00
48	13142609	PIPE CLAMP		*		1.00
49	13122007	FEED BRANCH CRANK PIN A	SELECTIVE PARTS			1.00
50	13122106	FEED BRANCH CRANK PIN B	SELECTIVE PARTS			1.00
51	13122205	FEED BRANCH CRANK PIN C	SELECTIVE PARTS			1.00
52	13122304	FEED BRANCH CRANK PIN D	SELECTIVE PARTS			1.00
53	MDC270B1100	NEEDLE DCX27 #11	FOR MO-6714S,MO-6716S			2.00
54	13172754	THRUST COLLAR ASM.				2.00
55	13172705	THRUST COLLAR		*		1.00
56	SS8660610TP	SCREW 1/4-40 L=6		*		2.00
57	SS8090530TP	SCREW 9/64-40 L=5.0				2.00
58	CQ202000000	OIL WICK				0.09
59	SS8090530TP	SCREW 9/64-40 L=5.0				1.00
60	CQ252000000	OIL WICK				0.04
61	SD0280401SL	HINGE SCREW D=2.8 H=4				1.00
62	13175005	NEEDLE CLAMP 1-NEEDLE	FOR MO-6704S			1.00
63	13175203	NEEDLE CLAMP 2-NEEDLE	FOR MO-6714S			1.00
64	12257002	CHAIN LOOPER NEEDLE CLAMP DEA	FOR MO-6716S			1.00
65	SS8080310TP	SCREW 1/8-44 L=2.8	FOR MO-6704S			1.00
66	MDC270B1100	NEEDLE DCX27 #11	FOR MO-6704S			1.00
67	SS8080310TP	SCREW 1/8-44 L=2.8	FOR MO-6714S,MO-6716S			2.00
68	13208004	NEEDLE DRIVING LINK				1.00

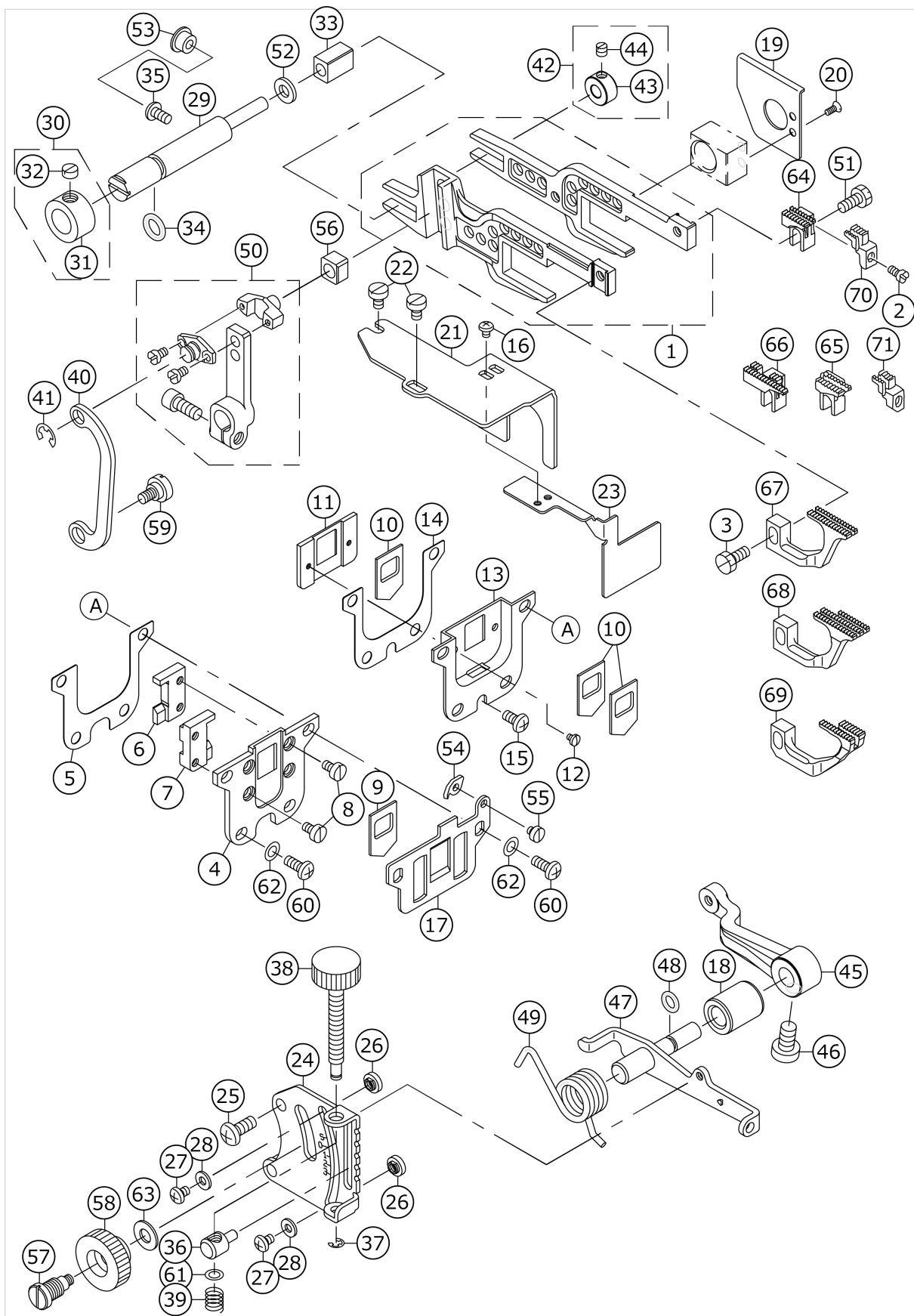
FEED MECHANISM COMPONENTS (1)



No.	品番	品名	備考	子部品	消耗品	個数
1	13118054	FEED ECCENTRIC BODY ASM.				1.00
2	13120605	WASHER				1.00
3	SS6121220TP	SCREW 3/16-28 L=11.5				1.00
4	13122452	FEED BRANCH CRANK ASM.				1.00
5	13122403	FEED BRANCH CRANK		*		1.00
6	SM6061402TP	SCREW M6 L=14		*		1.00
7	TA1030402R0	RUBBER PLUG D=10.3 L=4				1.00
8	TA2050416R0	RUBBER PLUG				1.00
9	13172556	FEED SHAFT THRUST COLLAR ASM.				2.00
10	13172507	FEED SHAFT THRUST COLLAR		*		1.00
11	SS8110410TP	SCREW 11/64-40 L=3.5		*		2.00
12	13217807	SLIDE BLOCK A	SELECTIVE PARTS			1.00
13	13122502	RATCHET PAWL SPRING				1.00
14	13119300	RATCHET GEAR SPRING				1.00
15	SS6080320SP	SCREW 1/8-44 L=2.5				1.00
16	13118708	FEED CRANK ROD				1.00
17	SS7110910TP	SCREW 11/64-40 L=8.5				1.00
18	12116604	NEEDLE BEARING	SELECTIVE PARTS			1.00
19	12116703	NEEDLE BEARING B	SELECTIVE PARTS			1.00
20	12116802	NEEDLE BEARING C	SELECTIVE PARTS			1.00
21	12116901	NEEDLE BEARING D	SELECTIVE PARTS			1.00
22	12117008	NEEDLE BEARING E	SELECTIVE PARTS			1.00
23	13119409	FEED SHAFT METAL FRONT				1.00
24	13119508	FEED SHAFT METAL REAR				1.00
25	13119607	FEED SHAFT				1.00
26	70005081	PUSH BUTTON SHAFT				1.00
27	SM4041455SN	SCREW M4 L=14				1.00
28	13216601	PUSH BUTTON SPRING				1.00
29	13216700	PUSH BUTTON SHAFT WASHER				2.00
30	13244108	RUBBER RING				1.00
31	13217906	SLIDE BLOCK B	SELECTIVE PARTS			1.00
32	13119953	MAIN FEED ARM ASM.				1.00
33	13119904	MAIN FEED ARM		*		1.00
34	SM6051202TP	SCREW M5X0.8 L=12		*		1.00
35	13122007	CRANK PIN A	SELECTIVE PARTS			1.00
36	13122106	CRANK PIN B	SELECTIVE PARTS			1.00
37	13122205	CRANK PIN C	SELECTIVE PARTS			1.00
38	13122304	CRANK PIN D	SELECTIVE PARTS			1.00
39	13119706	MAIN FEED ARM PIN				1.00

40	NS6620320SP	NUT 3/16-32				1.00
41	13120001	WASHER B				1.00
42	13119805	MAIN FEED LINK				1.00
43	B1620804000	PIN COLLAR				1.00

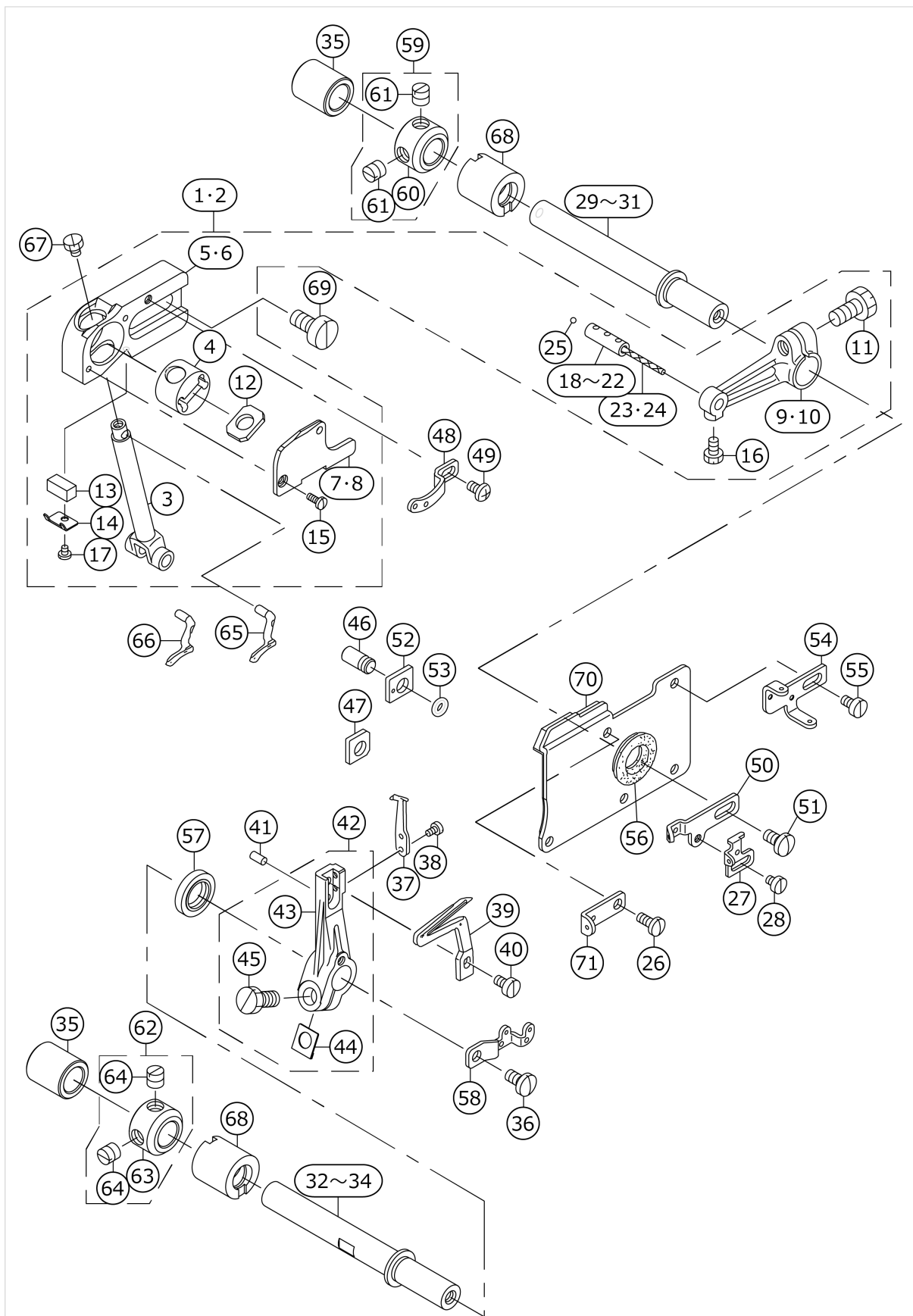
FEED MECHANISM COMPONENTS (2)



No.	品番	品名	備考	子部品	消耗品	個数
1	13215157	FEED ROCKER ASM.				1.00
2	SS4080620TP	SCREW 1/8-44 L=6				1.00
3	SS9111010SP	SCREW 11/64-40 L=9.5				1.00
4	13215306	RUBBER CASE				1.00
5	13215405	RUBBER CASE GASKET				1.00
6	13215504	FEED BAR SUPPORT RIGHT				1.00
7	13215603	FEED BAR SUPPORT LEFT				1.00
8	SS6090620TP	SCREW				4.00
9	70004244	OIL SHIELD RUBBER				1.00
10	70004244	OIL SHIELD RUBBER				3.00
11	13215702	RUBBER HOLDING PLATE				1.00
12	SS7060310SP	SCREW 3/32-56 L=3				2.00
13	13215900	OIL SHIELD CASE				1.00
14	13216007	OIL SHIELD CASE GASKET				1.00
15	SM4040855SP	SCREW				1.00
16	SM4030455SP	SCREW				2.00
17	13215801	THROAT PLATE SUPPORT				1.00
18	13122700	ADJUSTING SHAFT METAL				1.00
19	13216106	OIL SHIECD PLATE				1.00
20	SS1060610SP	SCREW 3/32-56 L=5.5				2.00
21	13216205	FEED CAM OIL SHIECD PLATE				1.00
22	SM6040600SP	SCREW M4 L=6				2.00
23	13216304	OIL SHIECD PLATE				1.00
24	13122809	DIFFERENTIAL FEED GRADUATION				1.00
25	SM4051255SP	SCREW M5 L=12				2.00
26	13121405	ADJUSTING STOPPER				2.00
27	SS4090515SP	SCREW 9/64-40 L=5				2.00
28	WP0371016SD	WASHER 3.7X8X1				2.00
29	13120902	SUPPORT SHAFT				1.00
30	13121058	HRUST COLLAR ASM.				1.00
31	13121009	HRUST COLLAR		*		1.00
32	SS8660330SP	SCREW 1/4-40 L=3.0		*		1.00
33	13120803	SLIDE BLOCK				1.00
34	13170204	RUBBER RING				1.00
35	SM4040855SP	SCREW				1.00
36	13217708	DIFFERENTIAL FEED BLOCK				1.00
37	RE0300000K0	E-RING 3				1.00
38	13213012	ADJUSTING SCREW				1.00
39	13123302	DIFFERENTIAL FEED SCREW SPRING				1.00
40	13121306	ADJUSTING LINK				1.00
41	RE0500000K0	E-RING 5				1.00
42	13121256	SUPPORT SHAFT COLLAR ASM.				1.00
43	13121207	SUPPORT SHAFT COLLAR		*		1.00
44	SS8110410TP	SCREW 11/64-40 L=3.5		*		1.00
45	13121900	DIFFERENTIAL FEED ROCKER				1.00
46	SS6661110SP	SCREW 1/4-40 L=11				1.00
47	13217351	ROCKER SHAFT ASM.				1.00
48	13170501	RUBBER RING				1.00
49	13121603	ADJUSTING LEVER SPRING				1.00
50	13218052	DIFFERENTIAL FEED ARM ASM.				1.00

51	SS9111050SP	SCREW 11/64-40 L=9.5				1.00
52	13121108	WASHER				1.00
53	TA0800504R0	PLUG D=8 L=4.5				1.00
54	13200902	FEED MECHANISM COVER PRESSER				1.00
55	SS6080340SP	SCREW 1/8-44 L=2.9				1.00
56	13218102	SLIDE BLOCK				1.00
57	13217401	DIFFERENTIAL FEED HINGE SCREW				1.00
58	13217500	DIFFERENTIAL FEED LOCK NUT				1.00
59	SD0720271SP	HINGE SCREW D=7.2 H=2.7				1.00
60	SM4041055SP	SCREW M4 L=10				4.00
61	WP0460556SD	WASHER 4.6X7.5X0.5				1.00
62	WP0480856SP	WASHER 4.8X8.4X0.8				4.00
63	WP0621016SD	WASHER 6.2X13X1				1.00
64	13191606	MAIN FEED DOG	FOR MO-6704S			1.00
65	13192000	MAIN FEED DOG	FOR MO-6714S			1.00
66	13192406	MAIN FEED DOG	FOR MO-6716S			1.00
67	13192802	DIFFERENTIAL FEED DOG	FOR MO-6704S			1.00
68	13193206	DIFFERENTIAL FEED DOG	FOR MO-6714S			1.00
69	13193602	DIFFERENTIAL FEED DOG	FOR MO-6716S			1.00
70	13191309	AUXILIARY FEED DOG	FOR MO-6704S,MO-6714S			1.00
71	13191408	AUXILIARY FEED DOG	FOR MO-6716S			1.00

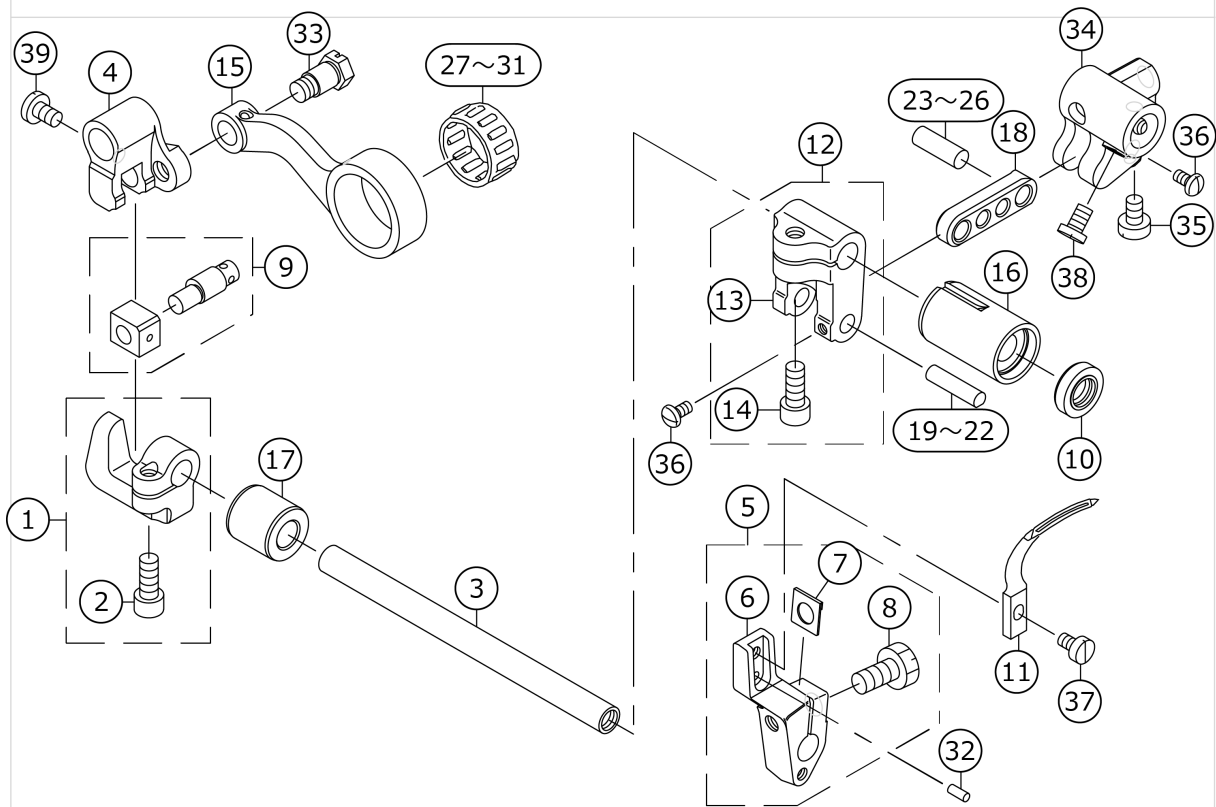
UPPER & LOWER LOOPER COMPONENTS



No.	品番	品名	備考	子部品	消耗品	個数
1	40186707	UPPER LOOPER GUIDE ASM C	FOR MO-6704S,MO-6716S			1.00
2	40186709	UPPER LOOPER GUIDE ASM E	FOR MO-6714S			1.00
3	40015636	UPPER LOOPER HOLDER		*		1.00
4	40011233	UPPER LOOPER GUIDE		*		1.00
5	12123006	UPPER LOOPER GUIDE SUPPORT		*		1.00
6	12123105	UPPER LOOPER GUIDE SUPPORT, B	FOR MO-6714S	*		1.00
7	13222203	UPPER LOOPER GUIDE COVER		*		1.00
8	13222302	UPPER LOOPER GAUGE COVER B	FOR MO-6714S	*		1.00
9	13131008	UPPER LOOPER ARM A		*		1.00
10	13131107	UPPER LOOPER ARM B	FOR MO-6714S	*		1.00
11	SS9151210TP	SCREW 15/64-28 L=11.8		*		1.00
12	40011234	DUST SEALING FELT		*		1.00
13	13143706	OIL FELT		*		1.00
14	13143607	OIL FELT PRESSER		*		1.00
15	SS7060610SP	SCREW 3/32-56 L= 5.5		*		2.00
16	SS9090610TP	SCREW 9/64-40 L=5.5		*		1.00
17	SS7060310SP	SCREW 3/32-56 L=3		*		1.00
18	13131206	UPPER LOOPER HOLDER PIN A	SELECTIVE PARTS	*		1.00
19	CQ200000000	OIL WICK		*		0.04
20	13131305	UPPER LOOPER HOLDER PIN B	SELECTIVE PARTS	*		1.00
21	CQ200000000	OIL WICK		*		0.04
22	13131404	UPPER LOOPER HOLDER PIN C	SELECTIVE PARTS	*		1.00
23	13131701	OIL WICK STOPPER BALL		*		1.00
24	13131503	UPPER LOOPER HOLDER PIN D	SELECTIVE PARTS	*		1.00
25	13131602	UPPER LOOPER HOLDER PIN E	SELECTIVE PARTS	*		1.00
26	SS7090850SP	SCREW 9/64-40 L=8				1.00
27	12340709	LOWER LOOPER THREAD TAKE-UP				1.00
28	SS6080410SP	SCREW 1/8-44 L=4				1.00
29	13221403	UPPER LOOPER GUIDE A	SELECTIVE PARTS			1.00
30	13221502	UPPER LOOPER GUIDE B	SELECTIVE PARTS			1.00
31	13221601	UPPER LOOPER GUIDE C	SELECTIVE PARTS			1.00
32	13221700	UPPER LOOPER GUIDE A	SELECTIVE PARTS			1.00
33	13221809	UPPER LOOPER GUIDE B	SELECTIVE PARTS			1.00
34	13221908	UPPER LOOPER GUIDE C	SELECTIVE PARTS			1.00
35	13222708	LOOPER SHAFT REAR BUSHING				2.00
36	SS7110840SP	SCREW 11/64-40 L=7.8				1.00
37	11890001	TRAVELING NEEDLE GUARD				1.00
38	SS6060440TP	SCREW 3/32-56 L=3.5				2.00

39	11999307	LOWER LOOPER				1.00
40	SS6090620TP	SCREW				1.00
41	PS0300062KH	SPRING PIN 3X6				1.00
42	13132550	LOWER LOOPER SUPPORT ARM ASM.				1.00
43	13132501	LOWER LOOPER SUPPORT ARM		*		1.00
44	13129309	WASHER		*		1.00
45	SS9151210TP	SCREW 15/64-28 L=11.8		*		1.00
46	13131800	GAUGE FIXING PIN				1.00
47	13132006	GUIDE SUPPORT GAUGE	FOR MO-6716S			1.00
48	12340501	THREAD GUIDE UPPER				1.00
49	SS4090615SP	SCREW 9/64-40 L=6				1.00
50	12340402	THREAD TAKE-UP RIGHT				1.00
51	SS7110840SP	SCREW 11/64-40 L=7.8				1.00
52	13131909	GUIDE SUPPORT GAUGE	FOR MO-6704S,MO-6714S			1.00
53	13170600	RUBBER RING				1.00
54	40099082	LOOPER THREAD GUIDE				1.00
55	SS6090630TP	SCREW 9/64-40 L=6				3.00
56	13132709	UPPER LOOPER SHAFT RUBBER RING				1.00
57	40010804	OIL SEAL RING				1.00
58	12340907	LOWER THREAD TAKE-UP LEFT				1.00
59	CS1031210SH	THRUST COLLAR ASM. D=10.32 W=12	FOR MO-6704S,MO-6714S			2.00
60	CS1031219SH	THRUST COLLAR D=10.32 W=12		*		1.00
61	SS8660610TP	SCREW 1/4-40 L=6		*		2.00
62	CS1031210SH	THRUST COLLAR ASM. D=10.32 W=12	FOR MO-6716S			1.00
63	CS1031219SH	THRUST COLLAR D=10.32 W=12		*		1.00
64	SS8660610TP	SCREW 1/4-40 L=6		*		2.00
65	11888104	UPPER LOOPER	FOR MO-6704S,MO-6716S			1.00
66	12176004	UPPER LOOPER	FOR MO-6714S			1.00
67	SS9090410TP	SCREW				1.00
68	13222609	LOOPER SHAFT FRONT BUSHING				2.00
69	SM6061200SP	SCREW M6 L=12				2.00
70	13133053	OIL SHIELD PLATE ASM.				1.00
71	12340600	UPPER LOOPER THREAD GUIDE				1.00

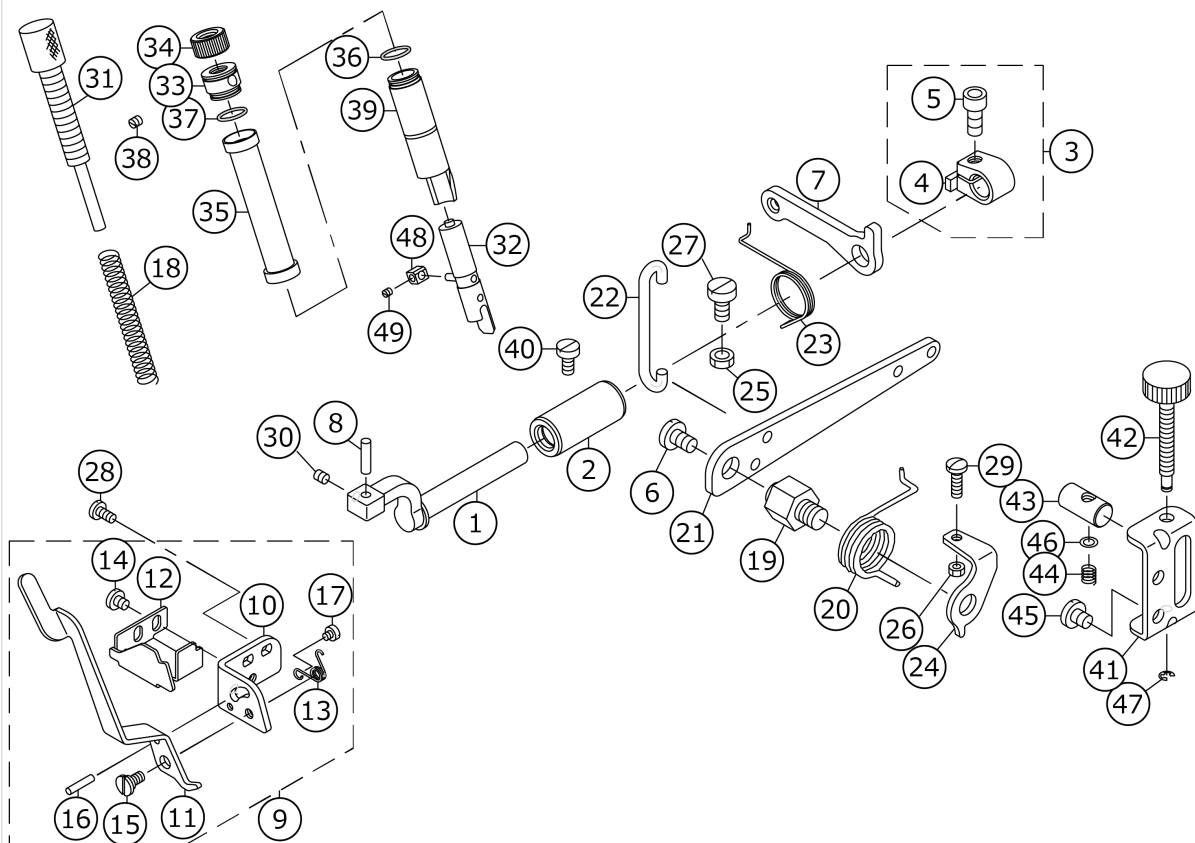
CHAIN LOOPER COMPONENTS (FOR MO-6716S)



No.	品番	品名	備考	子部品	消耗品	個数
1	13129853	BRACKET				1.00
2	SM6051202TP	SCREW M5X0.8 L=12		*		1.00
3	13126909	CHAIN LOOPER SHAFT				1.00
4	13126008	FRONT-AND-REAR ARM				1.00
5	13129952	CHAIN LOOPER DRIVING ARM ASM.				1.00
6	13129903	CHAIN LOOPER DRIVING ARM		*		1.00
7	13129309	WASHER		*		1.00
8	SS9151210TP	SCREW 15/64-28 L=11.8		*		1.00
9	13126354	SLIDE BLOCK PIN ASM.				1.00
10	40010805	OIL SEAL RING				1.00
11	12120705	CHAIN LOOPER				1.00
12	13125950	CHAIN LOOPER DRIVING ARM ASM.				1.00
13	13125901	CHAIN LOOPER DRIVING ARM		*		1.00
14	SM6051202TP	SCREW M5X0.8 L=12		*		1.00
15	13220009	CHAIN LOOPER ROD				1.00
16	13128103	BUSHING FORNT				1.00
17	13127006	BUSHING REAR				1.00
18	13127105	CHAIN LOOPER SHAFT DRIV. LINK				1.00
19	13126503	PIN LONG A	SELECTIVE PARTS			1.00
20	13126602	PIN LONG B	SELECTIVE PARTS			1.00
21	13126701	PIN LONG C	SELECTIVE PARTS			1.00
22	13126800	PIN LONG D	SELECTIVE PARTS			1.00
23	13127204	PIN SHORT A	SELECTIVE PARTS			1.00
24	13127303	PIN SHORT B	SELECTIVE PARTS			1.00
25	13127402	PIN SHORT C	SELECTIVE PARTS			1.00
26	13127501	PIN SHORT D	SELECTIVE PARTS			1.00
27	B2119816A00	BEARING A	SELECTIVE PARTS			1.00
28	B2119816B00	BEARING B	SELECTIVE PARTS			1.00
29	B2119816C00	BEARING C	SELECTIVE PARTS			1.00
30	B2119816D00	BEARING D	SELECTIVE PARTS			1.00
31	B2119816E00	BEARING E	SELECTIVE PARTS			1.00
32	PS0250062KH	SPRING PIN 2.5X6				1.00
33	SD0720803TH	STEP-SCREW D=7.24 H=8				1.00
34	12121612	DRIVING BALL ARM BRACKET				1.00
35	SS6110710TP	SCREW 11/64-40 L=6.5				1.00
36	SS4080620TP	SCREW 1/8-44 L=6				2.00
37	SS6090620TP	SCREW				1.00

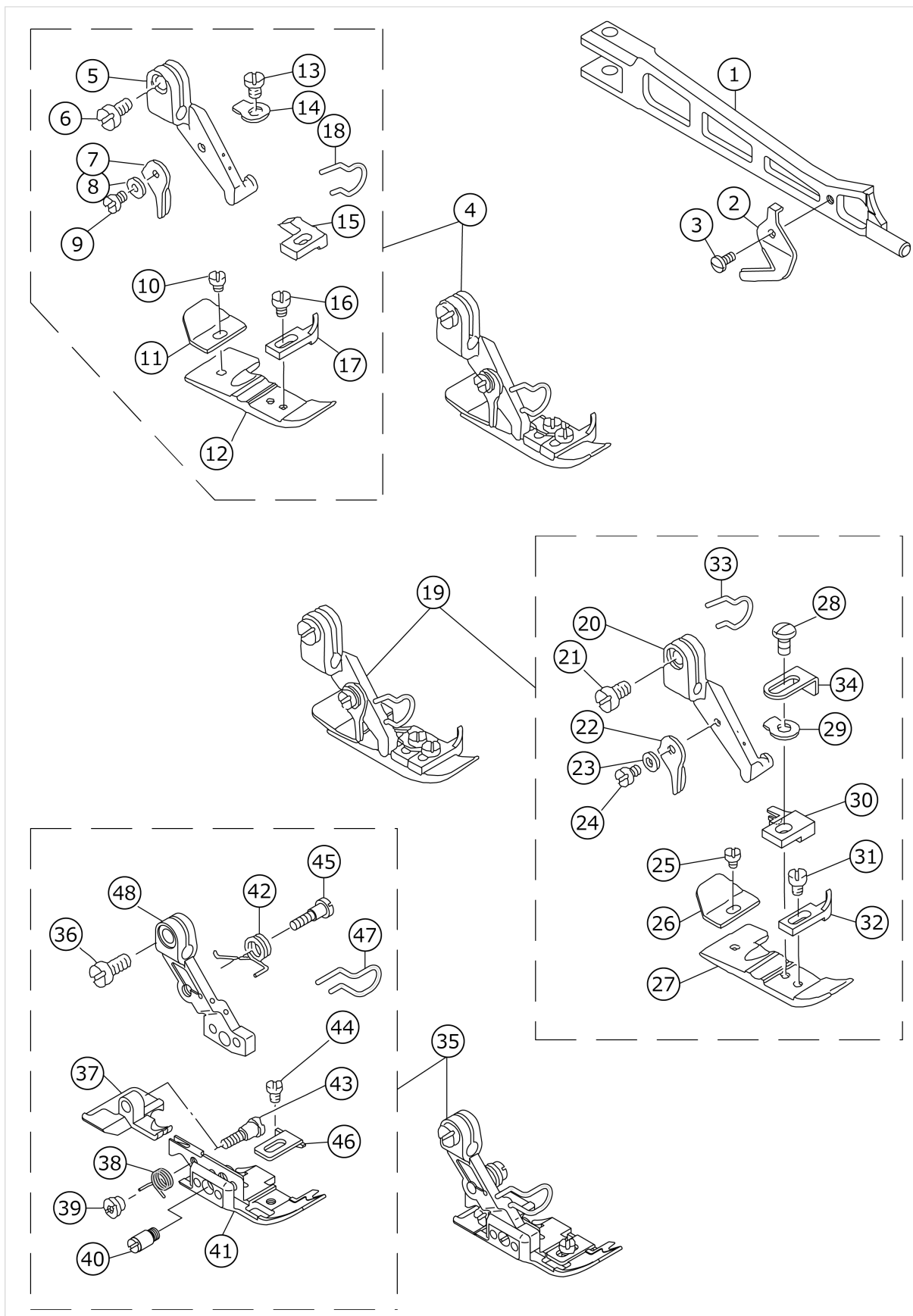
38	SS6110710TP	SCREW 11/64-40 L=6.5				2.00
39	SS7110720TP	SCREW 11/64-40 L=7				1.00

PRESSER FOOT COMPONENTS (1)



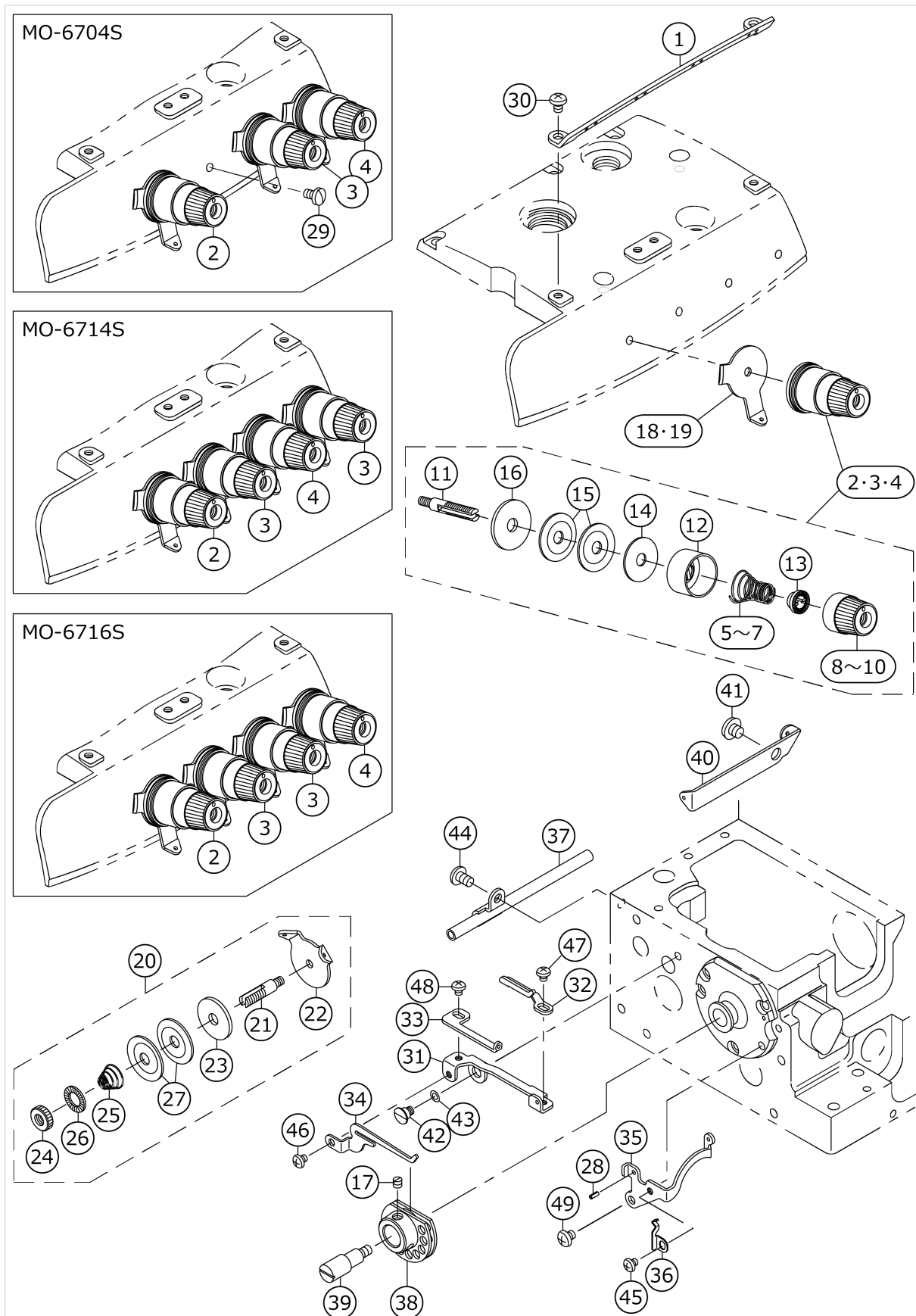
No.	品番	品名	備考	子部品	消耗品	個数
1	13115001	PRESSER FOOT SHAFT				1.00
2	40102328	PRESSER_FOOT_SHAFT_BUSHING				1.00
3	40096182	THRUST ARM ASM.				1.00
4	40096181	THRUST ARM		*		1.00
5	SM6061402TP	SCREW M6 L=14		*		1.00
6	SS7161040SP	SCREW 1/4-24 L=9.5				1.00
7	13116801	LIFTING ARM				1.00
8	13115407	PRESSER FOOT ARM HINGE SHAFT				1.00
9	13115753	PRESSER LIFTING LEVER BASE ASM				1.00
10	13115803	PRESSER LIFTING LEVER BASE		*		1.00
11	13115902	PRESSER LIFTING LEVER		*		1.00
12	13116009	PRESSER ARM STOPPER		*		1.00
13	13116108	PRESSER FOOT LIFTING SPRING		*		1.00
14	SS7110510SP	SCREW 11/64-40 L=5		*		2.00
15	SD0640241SP	HINGE SCREW D=6.35 H=2.4		*		1.00
16	PS0300142KH	SPRING PIN 0.3X14		*		1.00
17	SS6080340SP	SCREW 1/8-44 L=2.9		*		1.00
18	13116207	PRESSER FOOT SPRING				1.00
19	13117007	PRESSER LIFTING LEVER SCREW				1.00
20	13116306	PRESSER LIFTING LEVER SPRING				1.00
21	13116900	PRESSER LIFTING LEVER				1.00
22	13116405	PRESSER LIFTING HOOK				1.00
23	13116504	LIFTING LEVER ARM SPRING				1.00
24	13116603	PRESSER LIFTING LEVER SPRING				1.00
25	NM6060003SC	NUT M6				1.00
26	NS6110420SP	NUT 11/64-40				1.00
27	SM6061200SP	SCREW M6 L=12				1.00
28	SS7110840SP	SCREW 11/64-40 L=7.8				2.00
29	SS7111410TP	SCREW 11/64-40 L=14				1.00
30	SM8050412TP	SCREW M5 L=4				1.00
31	40034897	PRESSER ADJUSTING SCREW				1.00
32	13115654	PRESSER BAR ASM.				1.00
33	12288700	PRESSER REGULATOR SCREW WASHER				1.00
34	13117106	PRESSER REGULATOR NUT				1.00
35	13212709	PRESSER BAR COVER				1.00
36	13170402	RUBBER RING				2.00
37	13170402	RUBBER RING				1.00
38	SM8040402TP	SCREW M4X0.7 L=4				1.00
39	13212501	PRESSER BAR BUSHING				1.00
40	SS6121020SP	SCREW 3/16-28 L=9.5				1.00
41	13212808	ADJUSTING BASE				1.00
42	13213012	ADJUSTING SCREW				1.00
43	13212915	ADJUSTING BLOCK				1.00
44	13123302	ADJUSTING SPRING				1.00
45	SS7150740SP	SCREW 15/64-28 L=7				2.00
46	WP0460556SD	WASHER 4.6X7.5X0.5				1.00
47	RE0300000K0	E-RING 3				1.00
48	70004672	SLIDE BLOCK				1.00
49	SS8080310TP	SCREW 1/8-44 L=2.8				1.00

PRESSER FOOT COMPONENTS (2)



No.	品番	品名	備考	子部品	消耗品	個数
1	13117205	PRESSER FOOT ARM				1.00
2	13116702	THREAD TRIMMER				1.00
3	SS7060510SP	SCREW 3/32-56 L=4.8				1.00
4	11876166	PRESSER FOOT ASM.	FOR MO-6704S			1.00
5	11872009	PRESSER FOOT HINGE		*		1.00
6	SS6090670TP	SCREW 9/64-40 L=6		*		1.00
7	B1530804000	STOPPER		*		1.00
8	WP0250516SD	WASHER 2.5X6X0.5		*		1.00
9	SS7060610SP	SCREW 3/32-56 L=5.5		*		1.00
10	SS6060210SP	SCREW 3/32-56 L=1.9		*		1.00
11	B1511814000	REAR PRESSER FOOT		*		1.00
12	B1507804C00	PRESSER FOOT		*		1.00
13	SS7080520SP	SCREW 1/8-44 L=4.9		*		1.00
14	B150880400B	SPRING		*		1.00
15	B1509804C00	STITCH TONGUE		*		1.00
16	SS6060440TP	SCREW 3/32-56 L=3.5		*		1.00
17	B1510814000	CURL GUARD		*		1.00
18	13178306	FINGER GUIDE		*		1.00
19	11876869	PRESSER FOOT ASM.	FOR MO-6714S			1.00
20	11872009	PRESSER FOOT HINGE		*		1.00
21	SS6090670TP	SCREW 9/64-40 L=6		*		1.00
22	B1530804000	STOPPER		*		1.00
23	WP0250516SD	WASHER 2.5X6X0.5		*		1.00
24	SS7060610SP	SCREW 3/32-56 L=5.5		*		1.00
25	SS6060210SP	SCREW 3/32-56 L=1.9		*		1.00
26	B1511814000	REAR PRESSER FOOT		*		1.00
27	B150781400P	PRESSER FOOT		*		1.00
28	SS4080620TP	SCREW 1/8-44 L=6		*		1.00
29	B150880400B	SPRING		*		1.00
30	B150981400P	STITCH TONGUE		*		1.00
31	SS6060440TP	SCREW 3/32-56 L=3.5		*		1.00
32	B1510814000	CURL GUARD		*		1.00
33	13178306	FINGER GUIDE		*		1.00
34	40030533	PRESSER FOOT AUXILIARY PLATE		*		1.00
35	12153763	PRESSER FOOT ASM.	FOR MO-6716S			1.00
36	SS6090670TP	SCREW 9/64-40 L=6		*		1.00
37	12164802	REAR PRESSER FOOT		*		1.00
38	12167805	SPRING FOR REAR PRESSER FOOT		*		1.00
39	B1513816000	NUT FOR REAR PRESSER FOOT		*		1.00
40	12167409	HINGE PIN		*		1.00
41	12162202	PRESSER FOOT		*		1.00
42	12167607	PRESSER FOOT ARM SPRING		*		1.00
43	12167508	HINGE SCREW		*		1.00
44	SS6060340SP	SCREW 3/32-56 L=2.5		*		1.00
45	B1514816000	SCREW		*		1.00
46	12167706	PRESSER FOOT		*		1.00
47	13178405	FINGER GUIDE		*		1.00
48	12156907	PRESSER FOOT HINGE		*		1.00

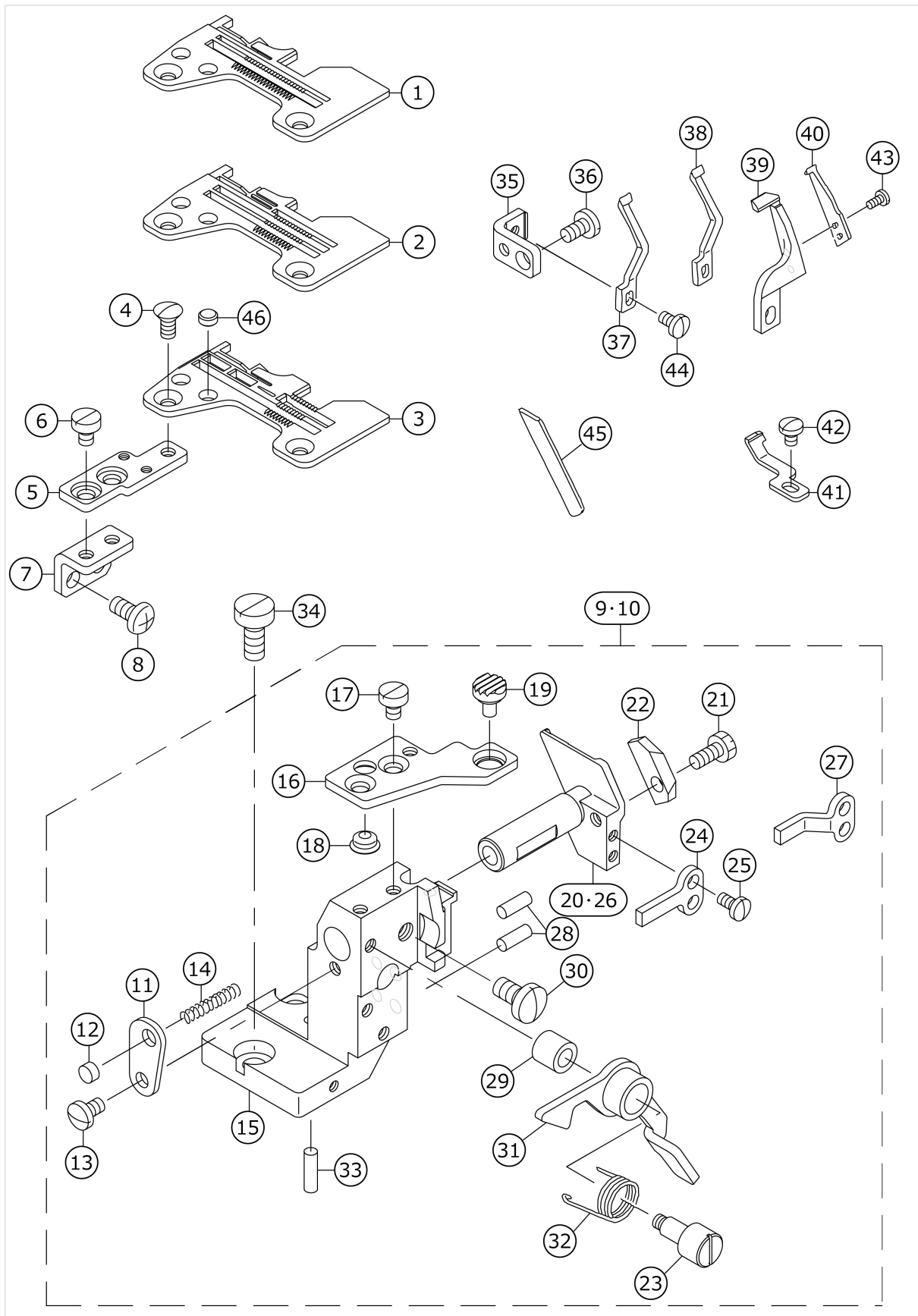
THREAD TENSION COMPONENTS



No.	品番	品名	備考	子部品	消耗品	個数
1	13225008	CENTER THREAD GUIDE				1.00
2	13137559	THREAD TENSION SPRING COMPL.				1.00
3	13138359	THREAD TENSION SPRING COMPL.	FOR MO-6704S(1 PC. IS USED.) FOR MO-6714S, MO-6916S(2 PC. ARE USED.)			1.00
4	13138656	THREAD TENSION SPRING COMPL.				1.00
5	13137807	THREAD TENSION SPRING RED		*		1.00
6	13138508	THREAD TENSION SPRING YELLOW		*		1.00
7	13138805	THREAD TENSION SPRING BLUE		*		1.00
8	13137708	THREAD TENSION KNOB RED		*		1.00
9	13138409	THREAD TENSION KNOB YELLOW		*		1.00
10	13138706	THREAD TENSION KNOB BLUE		*		1.00
11	13138904	THREAD TENSION BAR		*		1.00
12	13137609	THREAD TENSION DISK PRESSER		*		1.00
13	13137906	SPRING BUSHING		*		1.00
14	13138102	THREAD TENSION SPRING FELT		*		1.00
15	13138201	THREAD TENSION DISK		*		2.00
16	13138003	THREAD TENSION RUBBER WASHER		*		1.00
17	SS8110410TP	SCREW 11/64-40 L=3.5	FOR MO-6716S			2.00
18	13225107	TESION DISK THREAD GUIDE	FOR MO-6704S			3.00
19	13225107	TESION DISK THREAD GUIDE	FOR MO-6714S,MO-6716S			4.00
20	13139555	THREAD TENSION POST CONPL.	FOR MO-6716S			1.00
21	13140009	THREAD TENSION POST		*		1.00
22	13139605	TESION DISK THREAD GUIDE		*		1.00
23	13139902	THREAD TENSION SPRING FELT		*		1.00
24	13139803	THREAD TENSION NUT		*		1.00
25	13139704	THREAD TENSION SPRING		*		1.00
26	22921407	ROTATION STOPPER		*		1.00
27	13138201	THREAD TENSION DISK		*		2.00
28	PS0200052KH	SPRING PIN 2.3X5	FOR MO-6716S			1.00
29	SS7110710SL	SCREW 11/64-40 L=7.0	FOR MO-6704S			1.00
30	SS4110615SP	SCREW 11/64-40 L=6				2.00
31	13128202	THREAD CAM THREAD GUIDE BASE	FOR MO-6716S			1.00
32	13128301	THREAD CAM THREAD GUIDE A	FOR MO-6716S			1.00
33	13128400	THREAD CAM THREAD GUIDE B	FOR MO-6716S			1.00
34	13128509	LOWER THREAD CAM HOOK	FOR MO-6716S			1.00
35	13128608	LOWER THREAD GUIDE	FOR MO-6716S			1.00
36	13128707	THREAD GUIDE BASE SPRING	FOR MO-6716S			1.00
37	13129259	LOOPER THREAD CAM ASM.	FOR MO-6716S			1.00
38	13129457	LOWER THREAD CAM COMPL.	FOR MO-6716S			1.00
39	B2202816000	SHAFT	FOR MO-6716S			1.00
40	13129101	LOWER THREAD CONDUIT GUIDE	FOR MO-6716S			1.00
41	SS5150510SP	SCREW 15/64-28 L=5	FOR MO-6716S			1.00
42	SD0600341TP	HINGE SCREW D=6.0 H=3.4	FOR MO-6716S			1.00
43	WZ0640312K0	WAVED WASHER	FOR MO-6716S			1.00
44	SM4050855SP	SCREW M5 L=8	FOR MO-6716S			1.00
45	SS4090415SP	SCREW 9/64-40 L=4	FOR MO-6716S			1.00

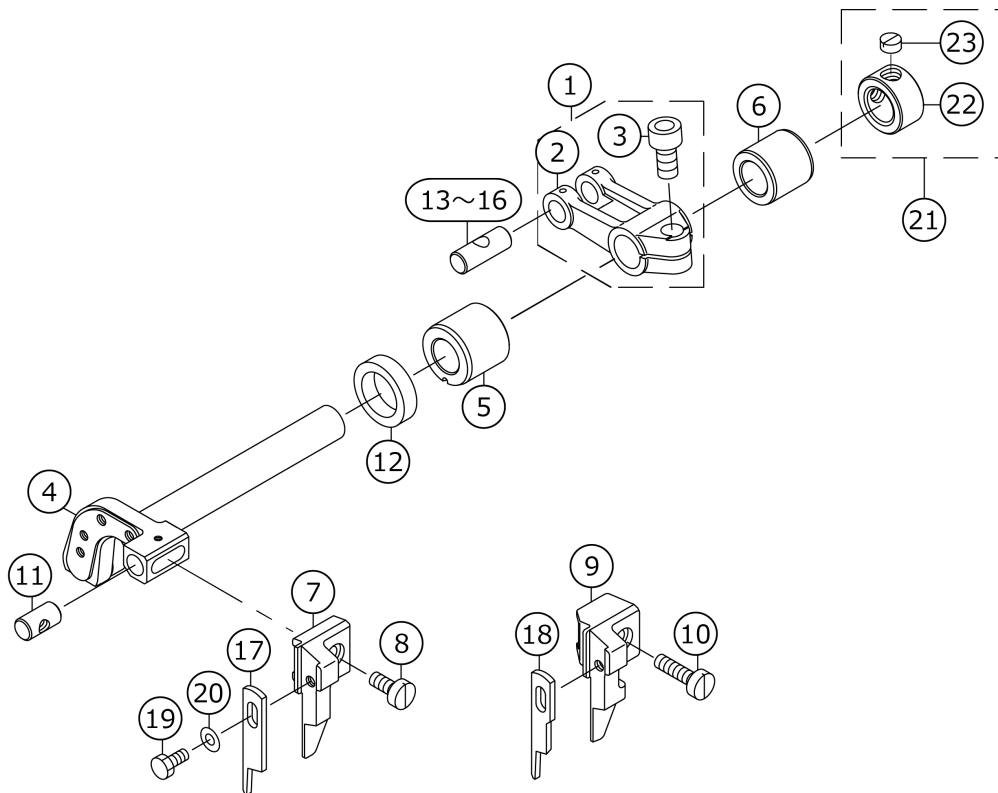
46	SS4090415SP	SCREW 9/64-40 L=4	FOR MO-6716S			1.00
47	SS4090415SP	SCREW 9/64-40 L=4	FOR MO-6716S			1.00
48	SS4090415SP	SCREW 9/64-40 L=4	FOR MO-6716S			1.00
49	SS4110515SP	SCREW 11/64-40 L=5	FOR MO-6716S			1.00

LOWER KNIFE COMPONENTS



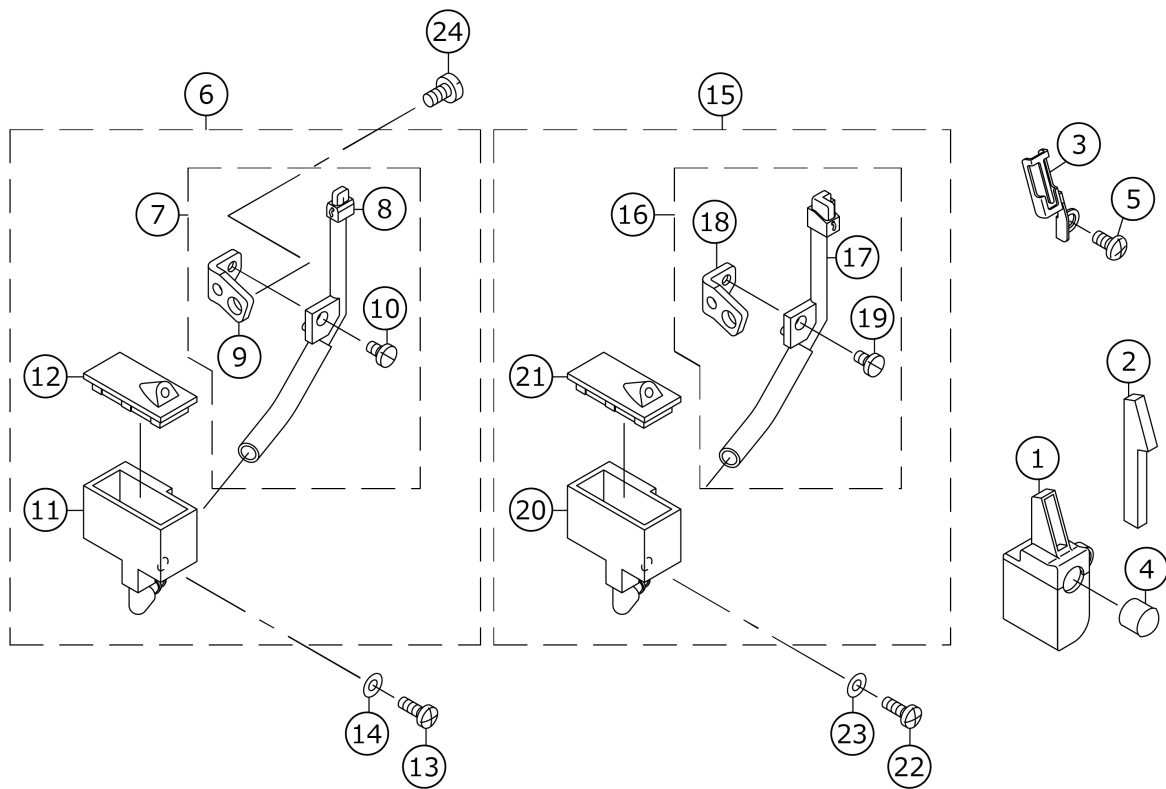
No.	品番	品名	備考	子部品	消耗品	個数
1	R4200J6ED00	THROAT PLATE	FOR MO-6704S			1.00
2	R4305J6EE00	THROAT PLATE	FOR MO-6714S			1.00
3	R4508J6ED00	THROAT PLATE	FOR MO-6716S			1.00
4	SS2110910SL	SCREW 11/64-40 L=9				2.00
5	13151204	THROAT PLATE BASE B				1.00
6	SS6110610TP	SCREW 11/64-40 L=6				2.00
7	12288908	THROAT PLATE BASE B SUPPORT				1.00
8	SM4051055SP	SCREW				2.00
9	13232657	LOWER KNIFE BRACKET ASM.	FOR MO-6704S,MO-6714S			1.00
10	13232756	LOWER KNIFE BRACKET ASM.	FOR MO-6716S			1.00
11	13149307	SPRING STOPPER		*		1.00
12	13102702	THROAT PLATE COVER		*		1.00
13	SS7110720SP	SCREW 11/64-40 L=7		*		1.00
14	13148101	SPRING		*		1.00
15	13149406	LOWER KNIFE BRACKET		*		1.00
16	13148309	THROAT PLATE BASE A		*		1.00
17	SS6110610TP	SCREW 11/64-40 L=6		*		2.00
18	13149109	RUBBER PLUG B		*		1.00
19	13235304	RUBBER PLUG A		*		1.00
20	13149505	LOWER KNIFE SLIDE STUD	FOR MO-6704S,MO-6714S	*		1.00
21	SS9111010SP	SCREW 11/64-40 L=9.5		*		1.00
22	13149208	LOWER KNIFE PRESSER PLATE		*		1.00
23	13148408	LEVER SHAFT		*		1.00
24	13149703	ROTATING STOPPER	FOR MO-6704S,MO-6714S	*		1.00
25	SS7090710SP	SCREW 9/64-40 L=6.8		*		2.00
26	13149604	LOWER KNIFE SLIDE STUD	FOR MO-6716S	*		1.00
27	13149802	ROTATING STOPPER	FOR MO-6716S	*		1.00
28	13149901	HOLDER PIN		*		2.00
29	13148903	RUBBER PLUG		*		1.00
30	SS7151120SP	SCREW 15/64-28 L=11		*		1.00
31	13148556	LEVER ASM.		*		1.00
32	13148804	LEVER SPRING		*		1.00
33	13149901	HOLDER PIN		*		1.00
34	SS6151440SP	SCREW 15/64-28 L=14				2.00
35	13151105	NEEDLE HOLDER SUPPORT				1.00
36	SS7110840SP	SCREW 11/64-40 L=7.8				1.00
37	11890100	NEEDLE GUARD	FOR MO-6704S			1.00
38	11890308	NEEDLE GUARD	FOR MO-6714S			1.00
39	12015301	NEEDLE HOLDER	FOR MO-6716S			1.00
40	12015400	NEEDLE HOLDER	FOR MO-6716S			1.00
41	12177903	NEEDLE HOLDER	FOR MO-6716S			1.00
42	SS7090510SP	SCREW 9/64-40 L=4.6	FOR MO-6716S			1.00
43	SS7060510SP	SCREW 3/32-56 L=4.8	FOR MO-6716S			2.00
44	SS7090610SP	SCREW 9/64-40 L=6				1.00
45	13150701	LOWER KNIFE				1.00
46	13102702	THROAT PLATE COVER				2.00

UPPER KNIFE COMPONENTS



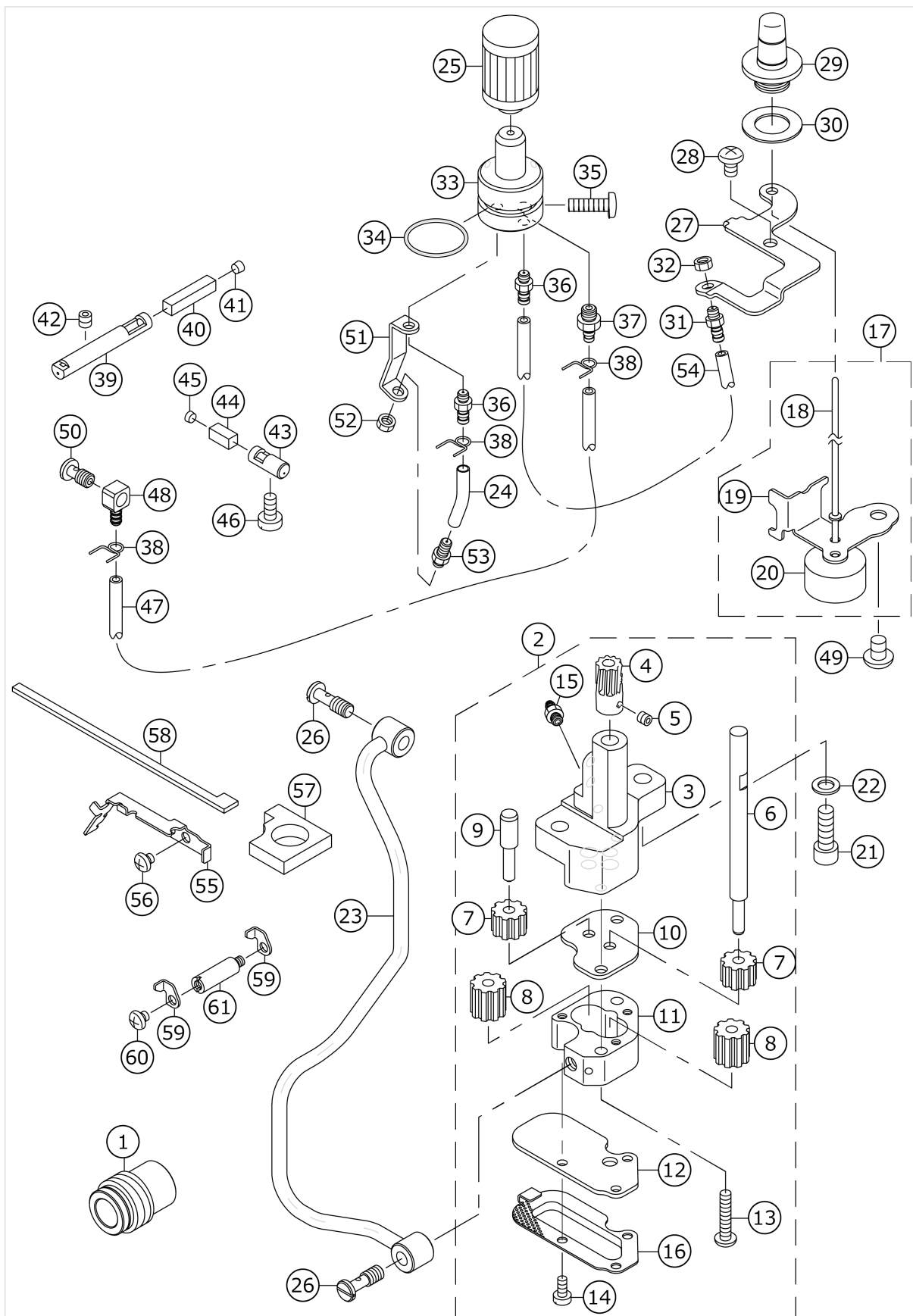
No.	品番	品名	備考	子部品	消耗品	個数
1	13147558	FEED FORKED ARM ASM.				1.00
2	13147509	FEED FORKED ARM		*		1.00
3	SM6061402TP	SCREW M6 L=14		*		1.00
4	13151303	KNIFE DRIVING ARM SHAFT				1.00
5	13150909	BUSHING FRONT				1.00
6	13151006	BUSHING REAR				1.00
7	13147400	PLAIN KNIFE SUPPORT A	FOR MO-6704S,MO-6714S			1.00
8	SS6111040SP	SCREW 11/64-40 L=9.5	FOR MO-6704S,MO-6714S			1.00
9	13147301	PLAIN KNIFE SUPPORT	FOR MO-6716S			1.00
10	SS6111610SP	SCREW 11/64-40 L=16	FOR MO-6716S			1.00
11	13150800	UPPER KNIFE GUIDE SHAFT				1.00
12	11566809	OIL SEAL				1.00
13	13122007	CRANK PIN A	SELECTIVE PARTS			1.00
14	13122106	CRANK PIN B	SELECTIVE PARTS			1.00
15	13122205	CRANK PIN C	SELECTIVE PARTS			1.00
16	13122304	CRANK PIN D	SELECTIVE PARTS			1.00
17	13150503	PLAIN KNIFE	FOR MO-6704S,MO-6714S			1.00
18	13150602	PLAIN KNIFE	FOR MO-6716S			1.00
19	SS9090823TP	BOLT 9/64-40 L=8				1.00
20	WP0370316SD	WASHER 3.7X8X0.3				1.00
21	CS111101HSH	THRUST COLLAR ASM.				1.00
22	CS1111019SH	THRUST COLLAR D=11.11 W=10		*		1.00
23	SS8660330SP	SCREW 1/4-40 L= 3.0		*		1.00

NEEDLE COOLING MECHANISM COMPONENTS (FOR SH)



No.	品番	品名	備考	子部品	消耗品	個数
1	13163456	SILICON TANK ASM.				1.00
2	13163803	NEEDLE THREAD FELT				1.00
3	13163902	NEEDLE THREAD FELT PRESSER				1.00
4	TA0950806R0	RUBBER PLUG				1.00
5	SM4040855SP	SCREW				1.00
6	13162557	NEEDLE COOLER UNIT ASM. (OVER)	FOR MO-6704S,MO-6714S			1.00
7	13162565	NEEDLE COOLER UNIT COMPL.		*		1.00
8	13162573	NEEDLE COOLER UNIT ASM. (OVER)		*		1.00
9	13162805	NEEDLE COOLER SUPPORT		*		1.00
10	SS7090610SP	SCREW 9/64-40 L=6		*		1.00
11	13162904	TANK		*		1.00
12	13163001	TANK COVER		*		1.00
13	SS4091015SP	SCREW 9/64-40 L=10				1.00
14	WP0371026SD	WASHER 3.7X7X1				1.00
15	13163159	NEEDLE COOLER UNIT ASM.(INTER)	FOR MO-6716S			1.00
16	13163167	NEEDLE COOLER COMPL.(INTER)		*		1.00
17	13163175	NEEDLE COOLER ASM.(INTER)		*		1.00
18	13162805	NEEDLE COOLER SUPPORT		*		1.00
19	SS7090610SP	SCREW 9/64-40 L=6		*		1.00
20	13162904	TANK		*		1.00
21	13163001	TANK COVER		*		1.00
22	SS4091015SP	SCREW 9/64-40 L=10				1.00
23	WP0371026SD	WASHER 3.7X7X1				1.00
24	SS7110840SP	SCREW 11/64-40 L=7.8				1.00

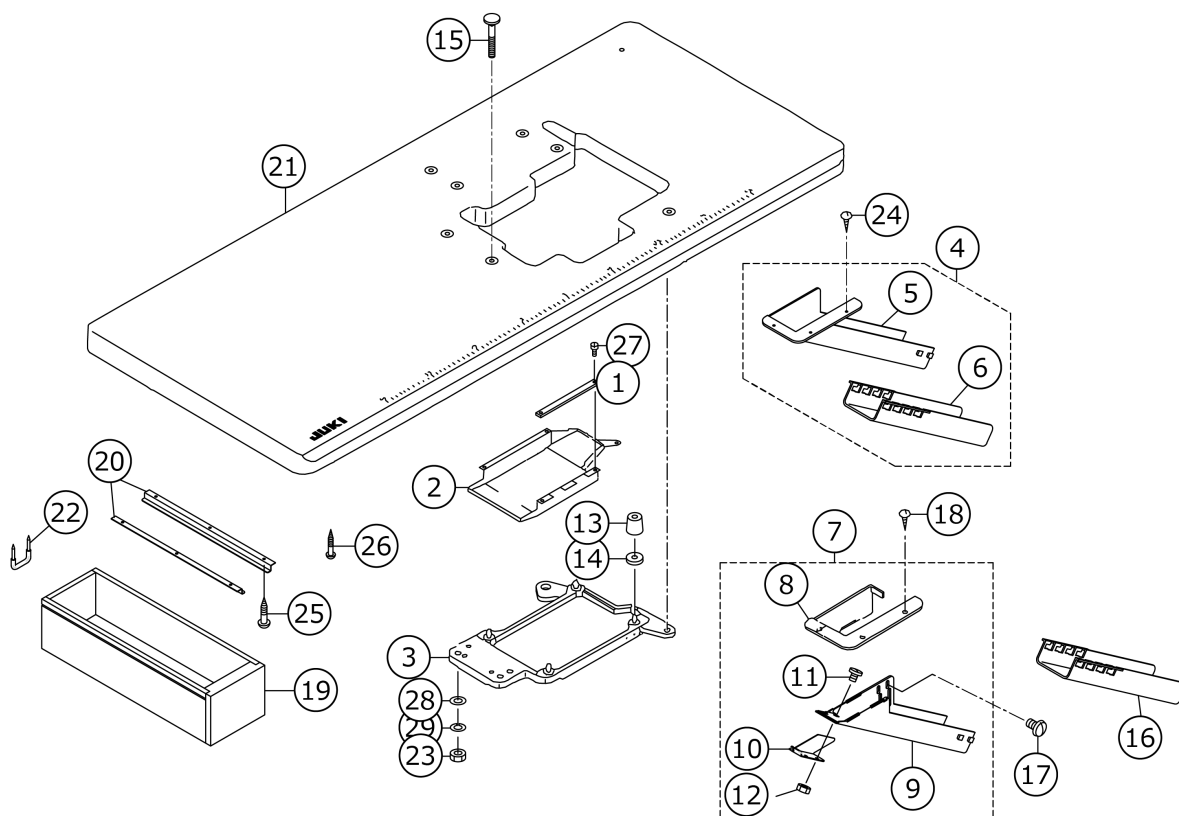
LUBRICATION MECHANISM COMPONENTS



No.	品番	品名	備考	子部品	消耗品	個数
1	13230305	WORM				1.00
2	40018044	OIL PUMP ASM				1.00
3	12315909	OIL PUMP		*		1.00
4	13343009	WORM WHEEL		*		1.00
5	SM8050412TP	SCREW M5 L=4		*		2.00
6	11918109	GEAR PUMP SHAFT LARGE		*		1.00
7	B3534352000	PINION GEAR		*		2.00
8	11840303	OIL PUMP PINION		*		2.00
9	12317004	GEAR PUMP SHAFT		*		1.00
10	12316006	PINION SPACER		*		1.00
11	12316105	CASING		*		1.00
12	40016762	PUMP COVER		*		1.00
13	SS4112215SP	SCREW 11/64-40 L=22		*		2.00
14	SS6090810SP	SCREW 9/64-40 L=7.5		*		3.00
15	SQ1110401MZ	CONNECTING SCREW		*		1.00
16	40016763	PUMP NET		*		1.00
17	13229356	FLOAT ASM.				1.00
18	12129904	OIL GAUGE BAR		*		1.00
19	13229307	FLOAT SUPPORT		*		1.00
20	12129805	FLOAT		*		1.00
21	SM6061802TP	SCREW M6 L=18				2.00
22	WP0651056SD	WASHER 6.5X11X1				2.00
23	13228655	LUBRICATION MECHANISM PIPE ASM				1.00
24	BP30000010R	VINYL PIPE				0.03
25	13142500	CARTRIDGE FILTER				1.00
26	SQ1150454SD	CONNECTING SCREW				2.00
27	13143805	EXHAUST PORT SUPPORT				1.00
28	SM4050855SP	SCREW				1.00
29	13143300	OIL GAUGE				1.00
30	13144001	OIL GAUGE GASKET				1.00
31	SQ1110451MZ	CONNECTING SCREW				1.00
32	NS6110310SP	NUT 11/64-40				1.00
33	13142955	FILTER GUIDE ASM.				1.00
34	13170808	RUBBER RING				1.00
35	SM4051601SC	SCREW M5X0.8 L=16				1.00
36	SQ1110451MZ	CONNECTING SCREW				2.00
37	SQ1150451MZ	CONNECTING SCREW				1.00
38	13142609	OIL TUBE HOLDER				3.00
39	13144100	OILING PIN				1.00
40	13144209	OIL FELT				1.00
41	TA0400301M0	PLUG D=4X4.5 L=3				1.00
42	SM8050502TP	SCREW M5 L=5				1.00
43	13143417	UPPER LOOPER OILING PIN				1.00
44	13143508	OIL FELT				1.00
45	13230107	UPPER LOOPER OILING PIN PLUG				1.00
46	SS6121020SP	SCREW 3/16-28 L=9.5				1.00
47	BP30000010R	VINYL PIPE				0.29
48	SQ0000451MZ	CONNECTING SCREW				1.00
49	SM4060801SE	SCREW				1.00
50	SQ1150441SD	CONNECTING SCREW				1.00

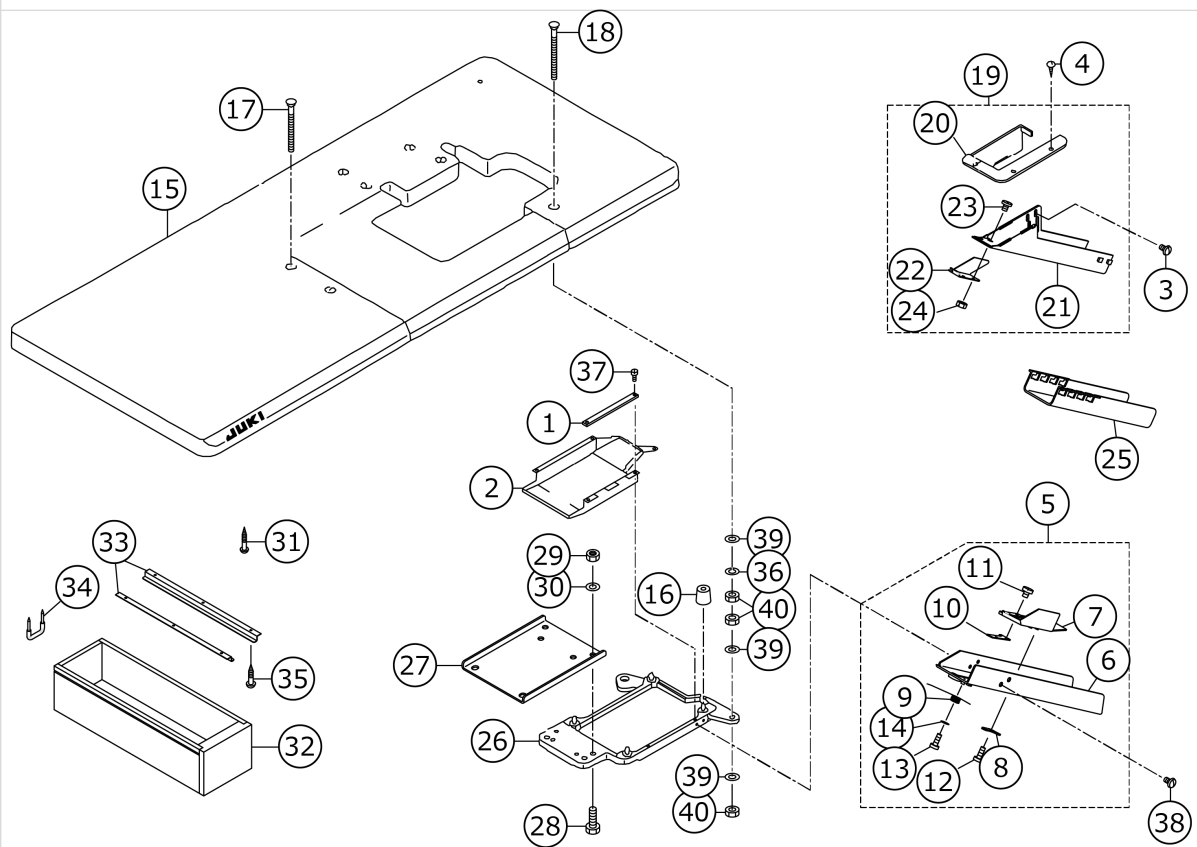
51	13229208	WORM EXHAUST PORT GUIDE				1.00
52	NS6110310SP	NUT 11/64-40				1.00
53	SQ11110451MZ	CONNECTING SCREW				1.00
54	23630007	TUBE				0.17
55	13228804	OIL FELT GUIDE				1.00
56	31018005	SCREW				2.00
57	13229109	OIL FELT B				1.00
58	13229406	OIL FELT A				1.00
59	13228903	OIL FELT PRESSER				2.00
60	31018005	SCREW				1.00
61	13229000	FELT PRESSER SPACER				1.00

SEMI-SUNKEN TYPE TABLE COMPONENTS



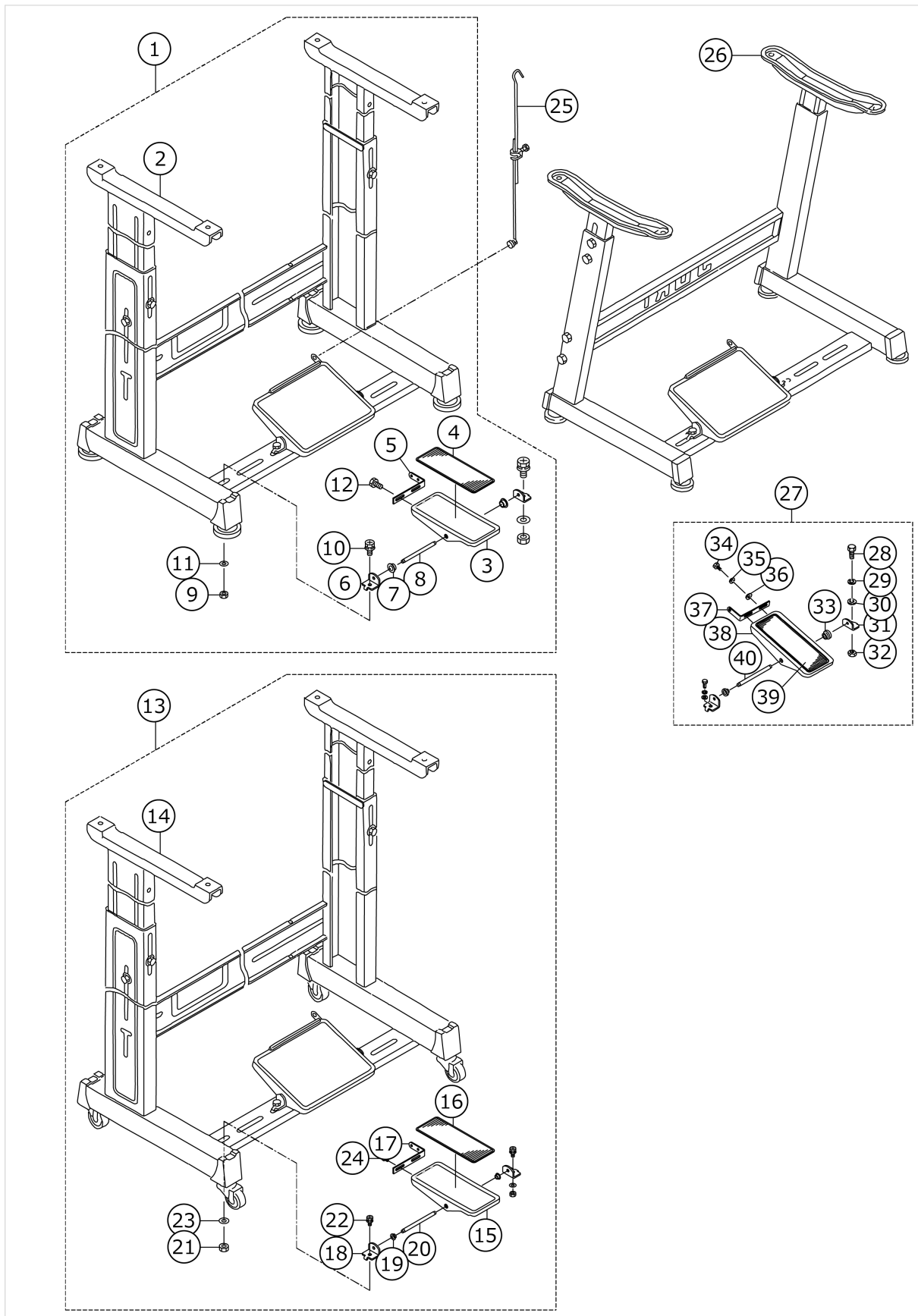
No.	品番	品名	備考	子部品	消耗品	個数
1	13161005	CASE SPONGE				1.00
2	13160908	COOLING FAN CASE				1.00
3	13161153	FRAME SUPPORT PLATE ASM.				1.00
4	12341954	CLOTH WASTE CHUTE ASM.	EXCEPT JE			1.00
5	12341905	CLOTH WASTE CHUTE(SEMI-SUNKEN)		*		1.00
6	12341806	CLOTH WASTE CHUTE		*		1.00
7	13155759	CLOTH WASTE CHUTE ASM.	FOR JE			1.00
8	13155601	CLOTH WASTE CHUTE INLET		*		1.00
9	13155700	CLOTH WASTE CHUTE UPPER		*		1.00
10	13155502	CHUTE SUPPORT		*		1.00
11	SS5090610SP	SCREW 9/64-40 L=6		*		3.00
12	NS6090310SP	NUT 9/64-40		*		3.00
13	13155403	DUST-PROOF RUBBER				4.00
14	13156500	DUST-PROOF RUBBER SPACER				4.00
15	13155007	HOLDING PLATE BOLT				4.00
16	12341806	CLOTH WASTE CHUTE	FOR JE			1.00
17	SS5110710SP	SCREW 11/64-40 L=7	FOR JE			2.00
18	SK2351600SC	WOOD SCREW D=3.5 L=16	FOR JE			3.00
19	11155108	DRAWER				1.00
20	11155207	DRAWER SUPPORT				2.00
21	11959400	TABLE (SEMI-SUNKEN)				1.00
22	D8204555D00	DRAWER STOPPER				1.00
23	NS6240630SE	NUT 3/8-18				4.00
24	SK2351600SC	WOOD SCREW D=3.5 L=16	EXCEPT JE			3.00
25	SK3311500SC	WOOD SCREW D=3.1 L=15				6.00
26	SK3513200SC	WOOD SCREW D=5.1 L=32				4.00
27	SS6090630TP	SCREW 9/64-40 L=6				5.00
28	WP1002036SE	WASHER 10X21X2				4.00
29	WS1002560KR	SPRING WASHER 10X18X2.5				4.00

FULLY-SUNKEN TYPE TABLE COMPONENTS



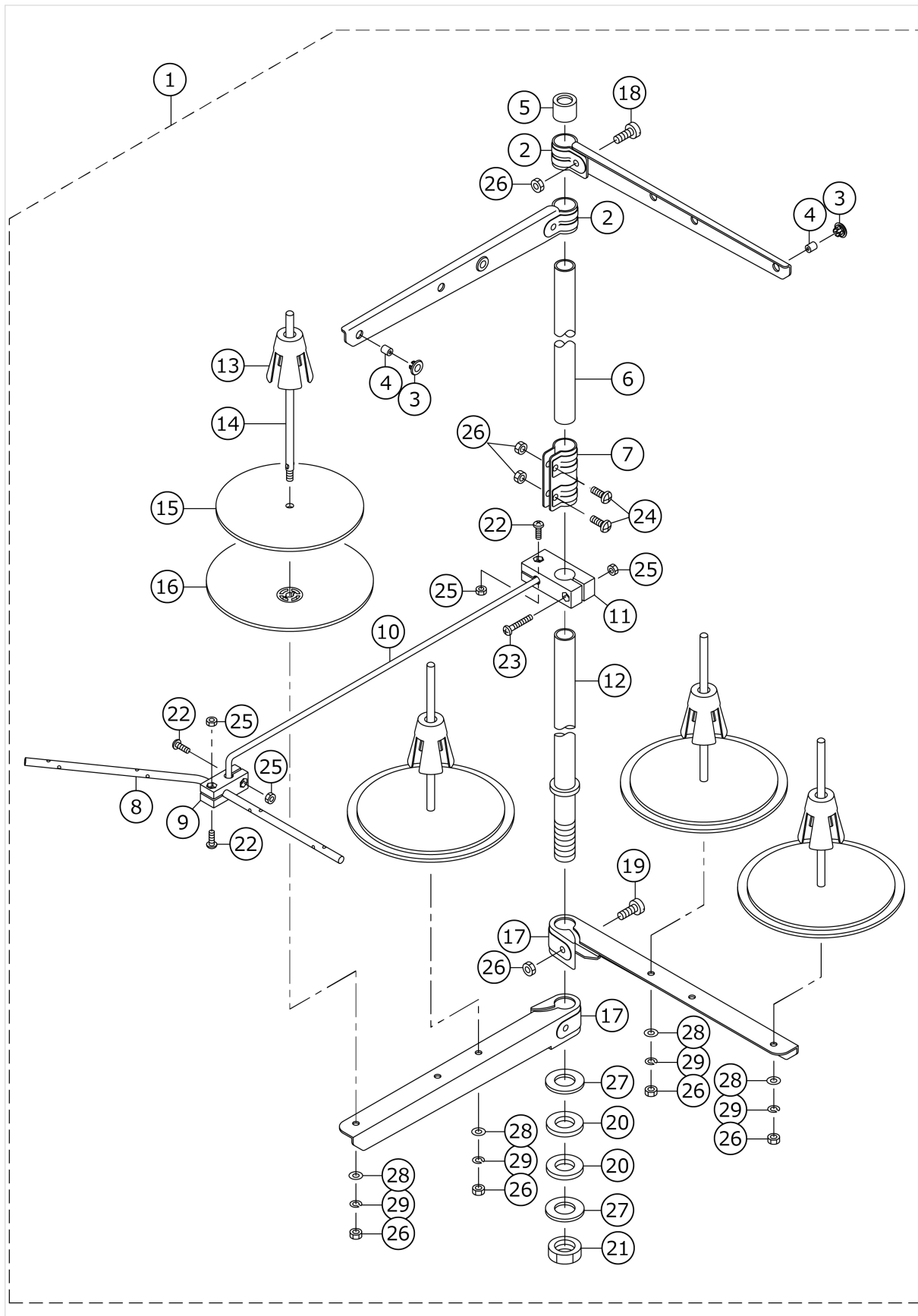
No.	品番	品名	備考	子部品	消耗品	個数
1	13161005	CASE SPONGE				1.00
2	13160908	COOLING FAN CASE				1.00
3	SS5110710SP	SCREW 11/64-40 L=7	FOR JE			2.00
4	SK2351600SC	WOOD SCREW D=3.5 L=16	FOR JE			3.00
5	13155858	CLOTH WASTE CHUTE ASM.	EXCEPT JE			1.00
6	13156203	CLOTH WASTE CHUTE		*		1.00
7	13156302	CLOTH WASTE CHUTE INLET		*		1.00
8	13155908	CHUTE INLET LEVER		*		1.00
9	13156005	CHUTE INLET SPRING		*		1.00
10	13156104	CHUTE INLET RUBBER		*		1.00
11	SS6090420SP	SCREW 9/64-40 L=4.0		*		2.00
12	ST60308210A	SCREW D=3-24 L=8		*		2.00
13	ST60308210A	SCREW D=3-24 L=8		*		1.00
14	WP0370316SD	WASHER 3.7X8X0.3		*		1.00
15	11959558	TABLE ASM.				1.00
16	13155403	DUST-PROOF RUBBER				4.00
17	13155106	HOLDING PLATE BOLT C				2.00
18	13155205	HOLDING PLATE BOLT D				2.00
19	13155759	CLOTH WASTE CHUTE ASM.	FOR JE			1.00
20	13155601	CLOTH WASTE CHUTE INLET		*		1.00
21	13155700	CLOTH WASTE CHUTE UPPER		*		1.00
22	13155502	CHUTE SUPPORT		*		1.00
23	SS5090610SP	SCREW 9/64-40 L=6		*		3.00
24	NS6090310SP	NUT 9/64-40		*		3.00
25	12341806	CLOTH WASTE CHUTE	FOR JE			1.00
26	13161153	FRAME SUPPORT PLATE ASM.				1.00
27	13155304	FRAME HOLDING PLATE COUPLING				1.00
28	SM9082513CF	SCREW M8 L=25				4.00
29	NM6080600SM	NUT M8				4.00
30	WP0850002SC	WASHER 8.5X18X1.6				4.00
31	SK3513200SC	WOOD SCREW D=5.1 L=32				4.00
32	11155108	DRAWER				1.00
33	11155207	DRAWER SUPPORT				2.00
34	D8204555D00	DRAWER STOPPER				1.00
35	SK3311500SC	WOOD SCREW D=3.1 L=15				6.00
36	WS1002560KR	SPRING WASHER 10X18X2.5				4.00
37	SS6090630TP	SCREW 9/64-40 L=6				5.00
38	SS5110710SP	SCREW 11/64-40 L=7	EXCEPT JE			2.00
39	WP1002036SE	WASHER 10X21X2				12.00
40	NS6240630SE	NUT 3/8-18				12.00

STAND COMPONENTS (Z / T)



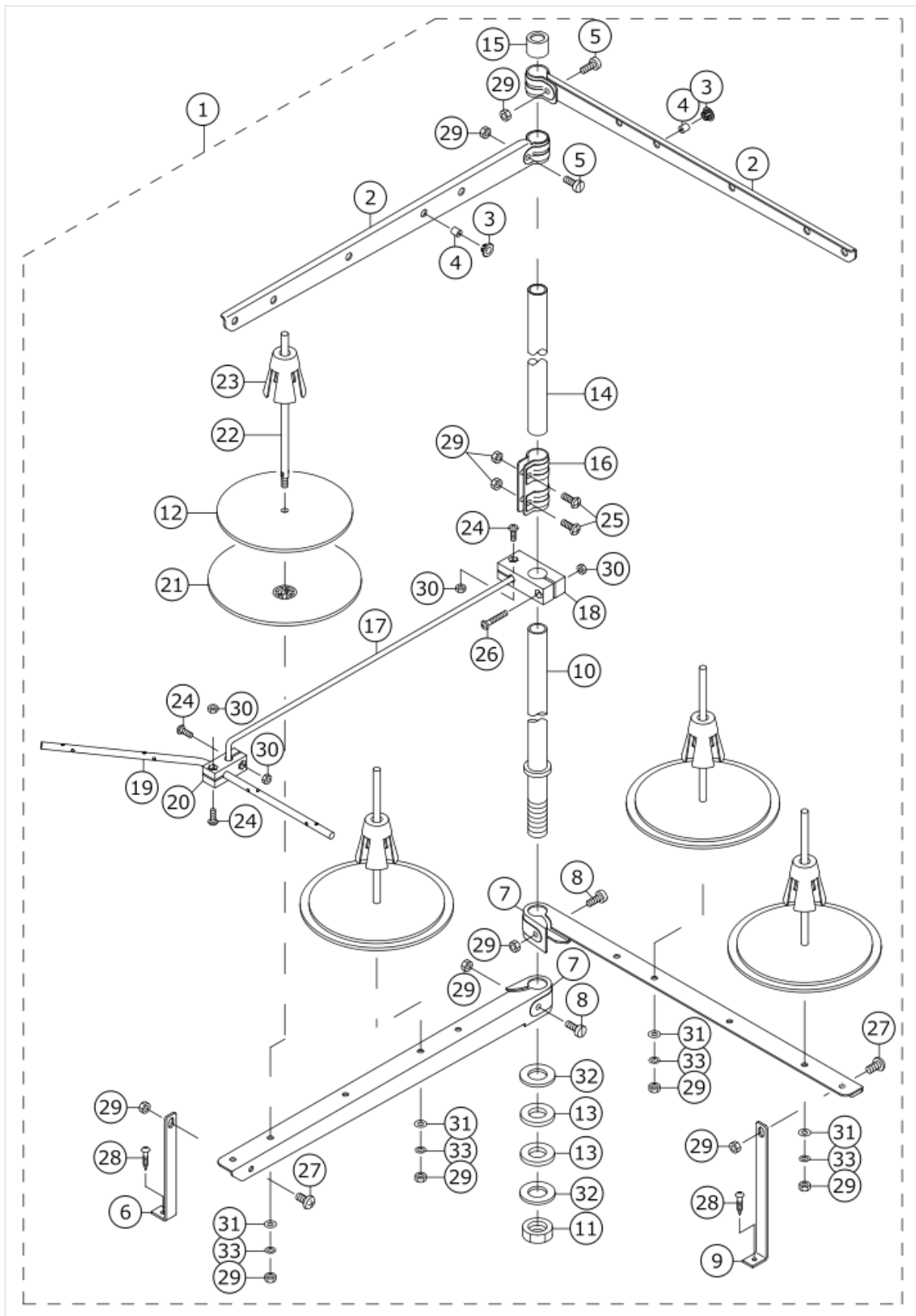
No.	品番	品名	備考	子部品	消耗品	個数
1	11960655	T STAND JUNCTION				1.00
2	11157567	T LEG JUNCTION		*		1.00
3	GPF06060000	PEDAL		*		1.00
4	GPF06070000	PEDAL MAT		*		1.00
5	GPF06080000	PEDAL ADJUSTING PLATE		*		1.00
6	11159001	PEDAL SHAFT BRACKET		*		2.00
7	D8113555B00	PEDAL BUSHING		*		2.00
8	B8153771000	PEDAL CONNECTING ROD		*		1.00
9	NM6080001SE	NUT M8		*		2.00
10	SL9082091SE	WASHER HEXAGONAL BOLT		*		2.00
11	WP0871602SE	WASHER 8.7X18X1.6		*		2.00
12	SL9061291SE	WASHER HEXAGONAL BOLT M6 L=12		*		2.00
13	11960754	T STAND JUNCTION(WITH CASTER)				1.00
14	11159365	T STAND JUNCTION		*		1.00
15	GPF06060000	PEDAL		*		1.00
16	GPF06070000	PEDAL MAT		*		1.00
17	GPF06080000	PEDAL ADJUSTING PLATE		*		1.00
18	11159001	PEDAL SHAFT BRACKET		*		2.00
19	D8113555B00	PEDAL BUSHING		*		2.00
20	B8153771000	PEDAL CONNECTING ROD		*		1.00
21	NM6080001SE	NUT M8		*		2.00
22	SL9082091SE	WASHER HEXAGONAL BOLT		*		2.00
23	WP0871602SE	WASHER 8.7X18X1.6		*		2.00
24	SL9061291SE	WASHER HEXAGONAL BOLT M6 L=12		*		2.00
25	B71140120A0	MOTOR CONNECTING ROD ASM.				1.00
26	11151065	Z LEG JUNCTION (B)				1.00
27	B81517710A0	PEDAL ASM.				1.00
28	SM9082023SE	SCREW M8 L=20		*		2.00
29	WS0861410KR	SPRING WASHER 8.6X15X1.4		*		2.00
30	WP0871602SE	WASHER 8.7X18X1.6		*		4.00
31	11151909	PEDAL SHAFT BRACKET		*		2.00
32	NM6080721SE	NUT M8		*		2.00
33	D8113555B00	PEDAL BUSHING		*		2.00
34	SM9061203SE	SCREW M6 L=12		*		2.00
35	WS0621210KR	SPRING WASHER 6.2X11.4X1.2		*		2.00
36	WP0671016SE	WASHER 6.7X13X1		*		2.00
37	11246600	PEDAL ADJUSTING PLATE		*		1.00
38	11246501	PEDAL		*		1.00
39	B8152771000	PEDAL MAT		*		1.00
40	B8153771000	PEDAL CONNECTING ROD		*		1.00

THREAD STAND COMPONENTS (FOR MO-6704S,MO-6714S)



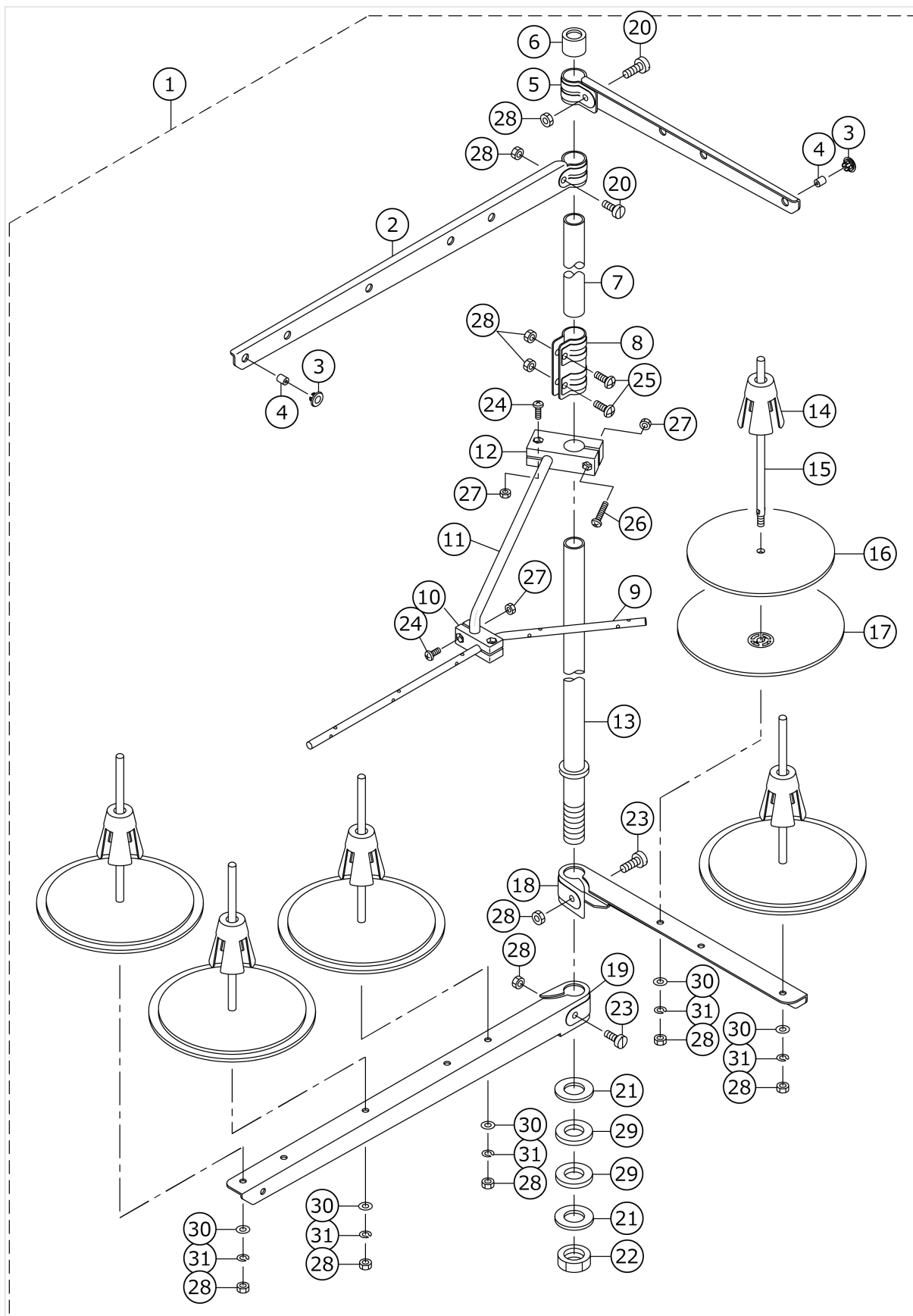
No.	品番	品名	備考	子部品	消耗品	個数
1	40106590	THREAD STAND ASM.				1.00
2	40085787	SPOOL REST ARM UPPER		*		2.00
3	40085795	THREAD GUIDE BUSHING		*		4.00
4	40085794	THREAD GUIDE		*		4.00
5	40085793	SPOOL REST ROD RUBBER CAP		*		1.00
6	40085785	SPOOL REST ROD UPPER		*		1.00
7	40085792	SPOOL REST ROD JOINT		*		1.00
8	40106582	THREAD GUIDE 4		*		1.00
9	40106580	THREAD GUIDE UNDER BASE		*		1.00
10	40106576	THREAD GUIDE ARM		*		1.00
11	40106579	THREAD GUIDE ARM BASE		*		1.00
12	40085784	SPOOL REST ROD LOWER		*		1.00
13	40085791	SPOOL RETAINER		*		4.00
14	40085790	SPOOL PIN		*		4.00
15	40085789	SPOOL REST CUSHION		*		4.00
16	40085788	SPOOL REST		*		4.00
17	40085786	SPOOL REST ARM LOWER		*		2.00
18	40096327	SPOOL REST ARM UPPER SCREW		*		2.00
19	40096326	SPOOL REST ARM LOWER SCREW		*		2.00
20	40085796	SPOOL REST ROD RUBBER CUSHION		*		2.00
21	40096325	SPOOL REST ROD NUT		*		1.00
22	SM4041201SC	SCREW M4 L=12		*		3.00
23	SM4042501SC	SCREW M4X0.7 L=25		*		1.00
24	SM4051405SE	SCREW M5 L=14		*		2.00
25	NM6040002SC	NUT M4		*		4.00
26	NM6050001SE	NUT M5		*		10.00
27	WP1612616SE	WASHER 16X30X2.6		*		2.00
28	WP0531001SC	WASHER M5		*		4.00
29	WS0510002KN	SPRING WASHER M5		*		4.00

THREAD STAND COMPONENTS (MO-6704S,MO-6714S SPECIAL ORDER PARTS)



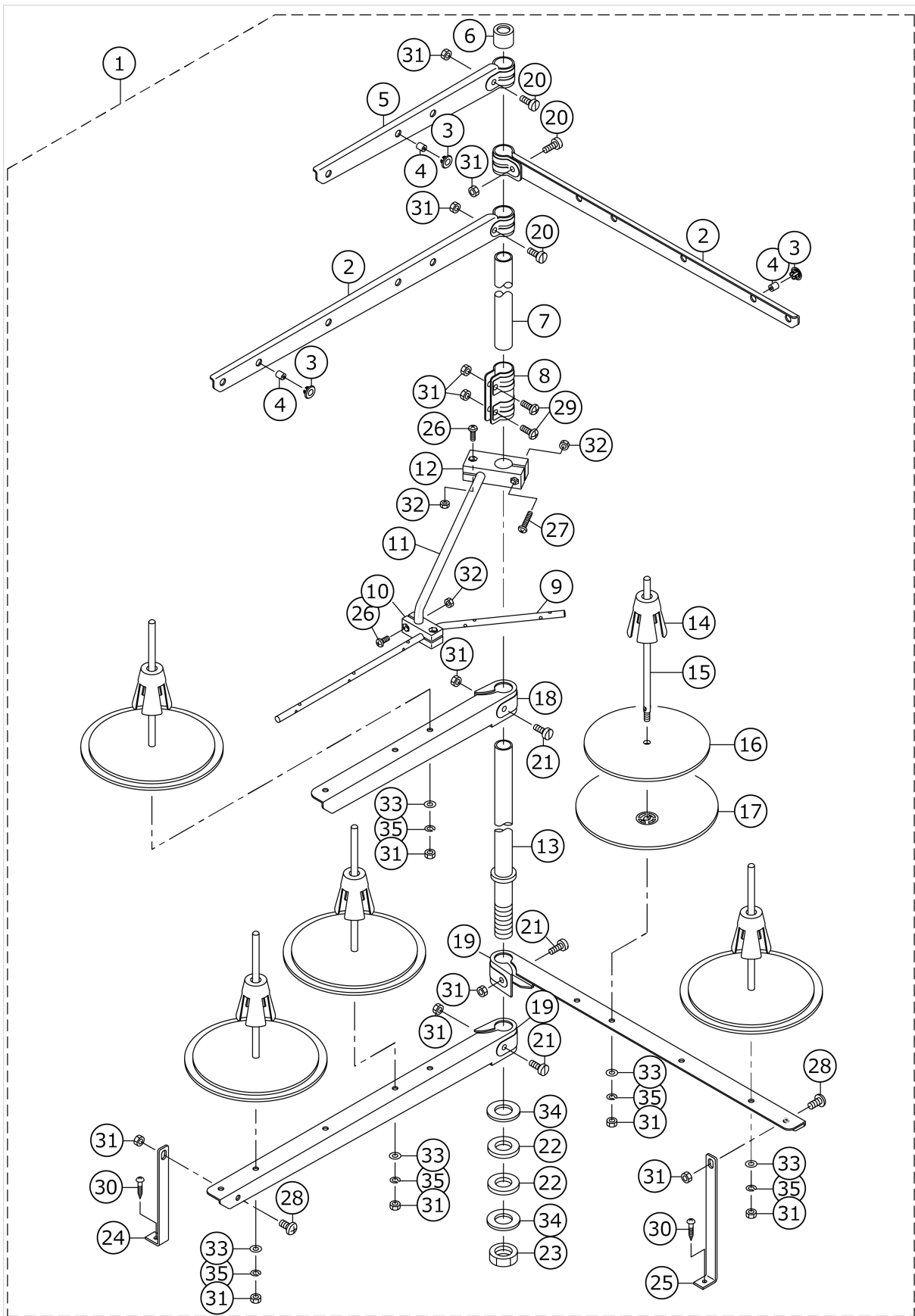
No.	品番	品名	備考	子部品	消耗品	個数
1	40106593	THREAD STAND ASM.				1.00
2	40106575	SPOOL REST LONG ARM UPPER		*		2.00
3	40085795	THREAD GUIDE BUSHING		*		4.00
4	40085794	THREAD GUIDE		*		4.00
5	40096327	SPOOL REST ARM UPPER SCREW		*		2.00
6	40106577	SPOOL REST ARM LOWER A		*		1.00
7	40106574	SPOOL REST LONG ARM LOWER		*		2.00
8	40096326	SPOOL REST ARM LOWER SCREW		*		2.00
9	40106578	SPOOL REST ARM LOWER B		*		1.00
10	40085784	SPOOL REST ROD LOWER		*		1.00
11	40096325	SPOOL REST ROD NUT		*		1.00
12	40085789	SPOOL REST CUSHION		*		4.00
13	40085796	SPOOL REST ROD RUBBER CUSHION		*		2.00
14	40085785	SPOOL REST ROD UPPER		*		1.00
15	40085793	SPOOL REST ROD RUBBER CAP		*		1.00
16	40085792	SPOOL REST ROD JOINT		*		1.00
17	40106576	THREAD GUIDE ARM		*		1.00
18	40106579	THREAD GUIDE ARM BASE		*		1.00
19	40106582	THREAD GUIDE 4		*		1.00
20	40106580	THREAD GUIDE UNDER BASE		*		1.00
21	40085788	SPOOL REST		*		4.00
22	40085790	SPOOL PIN		*		4.00
23	40085791	SPOOL RETAINER		*		4.00
24	SM4041201SC	SCREW M4 L=12		*		3.00
25	SM4051405SE	SCREW M5 L=14		*		2.00
26	SM4042501SC	SCREW M4X0.7 L=25		*		1.00
27	SM4051001SE	SCREW M5 L=10		*		2.00
28	SK3412001SE	WOOD SCREW D=4.1 L=20		*		2.00
29	NM6050001SE	NUT M5		*		12.00
30	NM6040002SC	NUT M4		*		4.00
31	WP0531001SC	WASHER M5		*		4.00
32	WP1612616SE	WASHER 16X30X2.6		*		2.00
33	WS0510002KN	SPRING WASHER M5		*		4.00

THREAD STAND COMPONENTS (FOR MO-6716S)



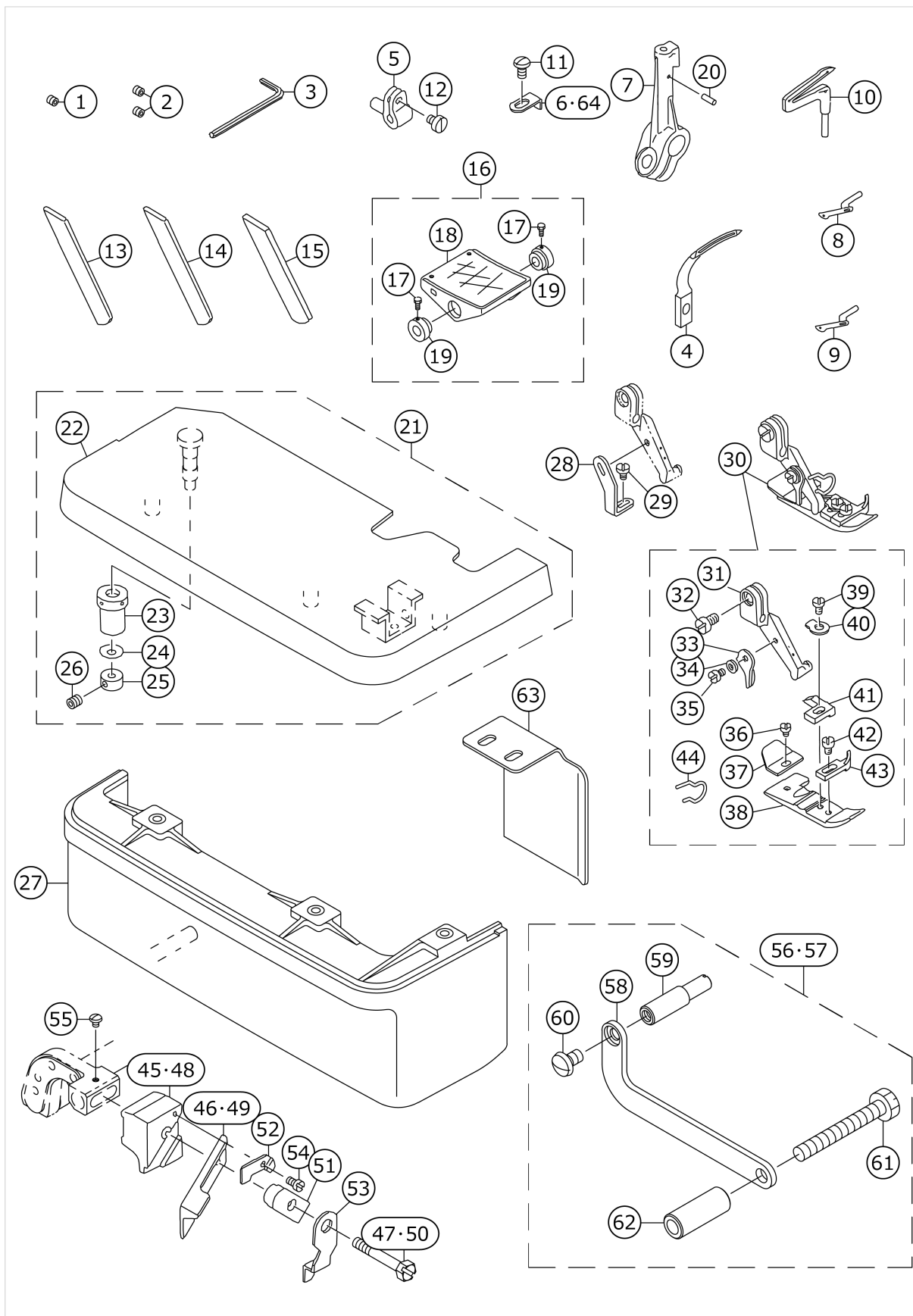
No.	品番	品名	備考	子部品	消耗品	個数
1	40106591	THREAD STAND ASM.				1.00
2	40106575	SPOOL REST LONG ARM UPPER		*		1.00
3	40085794	THREAD GUIDE		*		5.00
4	40085795	THREAD GUIDE BUSHING		*		5.00
5	40085787	SPOOL REST ARM UPPER		*		1.00
6	40085793	SPOOL REST ROD RUBBER CAP		*		1.00
7	40085785	SPOOL REST ROD UPPER		*		1.00
8	40085792	SPOOL REST ROD JOINT		*		1.00
9	40106581	THREAD GUIDE 5		*		1.00
10	40106580	THREAD GUIDE UNDER BASE		*		1.00
11	40106576	THREAD GUIDE ARM		*		1.00
12	40106579	THREAD GUIDE ARM BASE		*		1.00
13	40085784	SPOOL REST ROD LOWER		*		1.00
14	40085791	SPOOL RETAINER		*		5.00
15	40085790	SPOOL PIN		*		5.00
16	40085789	SPOOL REST CUSHION		*		5.00
17	40085788	SPOOL REST		*		5.00
18	40085786	SPOOL REST ARM LOWER		*		1.00
19	40106574	SPOOL REST LONG ARM LOWER		*		1.00
20	40096327	SPOOL REST ARM UPPER SCREW		*		2.00
21	40085796	SPOOL REST ROD RUBBER CUSHION		*		2.00
22	40096325	SPOOL REST ROD NUT		*		1.00
23	40096326	SPOOL REST ARM LOWER SCREW		*		2.00
24	SM4041201SC	SCREW M4 L=12		*		3.00
25	SM4051405SE	SCREW M5 L=14		*		2.00
26	SM4042501SC	SCREW M4X0.7 L=25		*		1.00
27	NM6040002SC	NUT M4		*		4.00
28	NM6050001SE	NUT M5		*		11.00
29	WP1612616SE	WASHER 16X30X2.6		*		2.00
30	WP0531001SC	WASHER M5		*		5.00
31	WS0510002KN	SPRING WASHER M5		*		5.00

THREAD STAND COMPONENTS (MO-6716S SPECIAL ORDER PARTS)



No.	品番	品名	備考	子部品	消耗品	個数
1	40106604	THREAD STAND ASM.				1.00
2	40106575	SPOOL REST LONG ARM UPPER		*		2.00
3	40085794	THREAD GUIDE		*		5.00
4	40085795	THREAD GUIDE BUSHING		*		5.00
5	40085787	SPOOL REST ARM UPPER		*		1.00
6	40085793	SPOOL REST ROD RUBBER CAP		*		1.00
7	40085785	SPOOL REST ROD UPPER		*		1.00
8	40085792	SPOOL REST ROD JOINT		*		1.00
9	40106581	THREAD GUIDE 5		*		1.00
10	40106580	THREAD GUIDE UNDER BASE		*		1.00
11	40106576	THREAD GUIDE ARM		*		1.00
12	40106579	THREAD GUIDE ARM BASE		*		1.00
13	40085784	SPOOL REST ROD LOWER		*		1.00
14	40085791	SPOOL RETAINER		*		5.00
15	40085790	SPOOL PIN		*		5.00
16	40085789	SPOOL REST CUSHION		*		5.00
17	40085788	SPOOL REST		*		5.00
18	40085786	SPOOL REST ARM LOWER		*		1.00
19	40106574	SPOOL REST LONG ARM LOWER		*		2.00
20	40096327	SPOOL REST ARM UPPER SCREW		*		3.00
21	40096326	SPOOL REST ARM LOWER SCREW		*		3.00
22	40085796	SPOOL REST ROD RUBBER CUSHION		*		2.00
23	40096325	SPOOL REST ROD NUT		*		1.00
24	40106577	SPOOL REST ARM LOWER A		*		1.00
25	40106578	SPOOL REST ARM LOWER B		*		1.00
26	SM4041201SC	SCREW M4 L=12		*		3.00
27	SM4042501SC	SCREW M4X0.7 L=25		*		1.00
28	SM4051001SE	SCREW M5 L=10		*		2.00
29	SM4051405SE	SCREW M5 L=14		*		2.00
30	SK3412001SE	WOOD SCREW D=4.1 L=20		*		2.00
31	NM6050001SE	NUT M5		*		15.00
32	NM6040002SC	NUT M4		*		4.00
33	WP0531001SC	WASHER M5		*		5.00
34	WP1612616SE	WASHER 16X30X2.6		*		2.00
35	WS0510002KN	SPRING WASHER M5		*		5.00

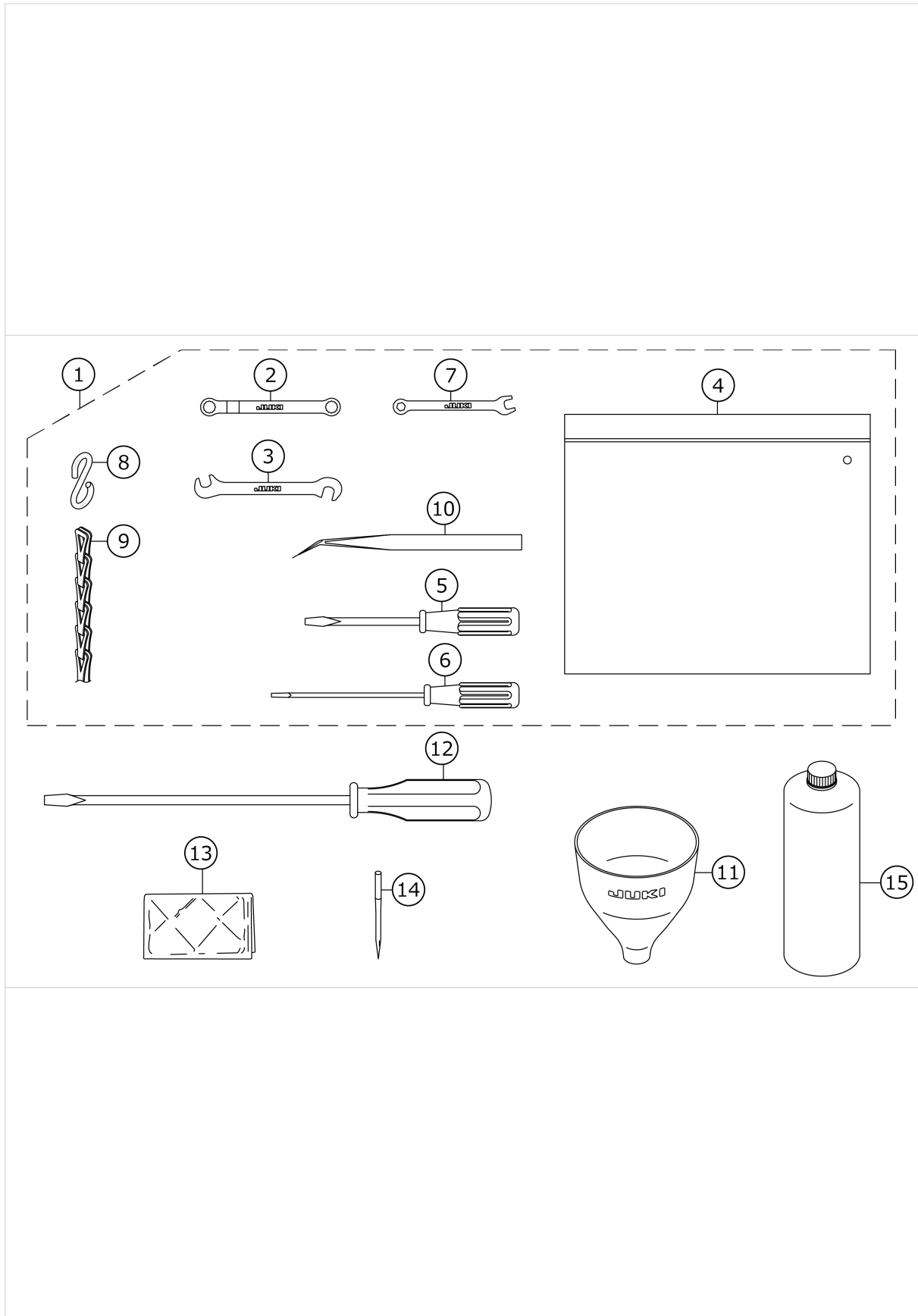
SPECIAL ORDER PARTS COMPONENTS



No.	品番	品名	備考	子部品	消耗品	個数
1	SS8080322TP	SCREW 1/8-44 L=3.2	FOR MO-6704S			1.00
2	SS8080322TP	SCREW 1/8-44 L=3.2	FOR MO-6714S,MO-6716S			2.00
3	B9112804000	SPANNER				1.00
4	12120713	CHAIN LOOPER	FOR MO-6716S			1.00
5	11544707	UPPER LOOPER SUPPORT ARM				1.00
6	11898103	PRESSER FOOT AUXILIARY PLATE	FOR MO-6704S			1.00
7	12123709	LOWER LOOPER SUPPORT ARM				1.00
8	B2519804000	UPPER LOOPER	FOR MO-6704S,MO-6716S			1.00
9	B2519814000	UPPER LOOPER	FOR MO-6714S			1.00
10	B2521804000	LOWER LOOPER				1.00
11	SS4080620TP	SCREW 1/8-44 L=6	FOR MO-6704S			1.00
12	SS6080410SP	SCREW 1/8-44 L=4				1.00
13	11847605	LOWER KNIFE				1.00
14	11964509	CERAMIC LOWER KNIFE				1.00
15	11992005	LOWER KNIFE				1.00
16	11965753	PEDAL ASM.				1.00
17	SM9061203SE	SCREW M6 L=12		*		2.00
18	11965704	PEDAL		*		1.00
19	11965803	PEDAL THRUST COLLAR		*		2.00
20	PS0200062KH	SPRING PIN 2X6				1.00
21	12105458	CLOTH PLATE ASM.	FOR MO-6716S			1.00
22	12104550	CLOTH PLATE ASM.		*		1.00
23	11501301	ECCENTRIC BUSHING		*		1.00
24	WZ0420350KP	DISC SPRING		*		1.00
25	CS0400671SD	THRUST HOLDER		*		1.00
26	SM8040302TP	SETSCREW		*		1.00
27	11949104	CLOTH BASE COVER	FOR MO-6716S			1.00
28	B1539804000	PRESSER FOOT FIXING PLATE	FOR MO-6704S			1.00
29	SS6060410TP	SCREW 3/32-56 L=3.5	FOR MO-6704S			1.00
30	12152468	PRESSER FOOT(FINGER GUARD)	FOR MO-6714S			1.00
31	11872009	PRESSER FOOT HINGE		*		1.00
32	SS6090670TP	SCREW 9/64-40 L=6		*		1.00
33	B1530804000	STOPPER		*		1.00
34	WP0250516SD	WASHER 2.5X6X0.5		*		1.00
35	SS7060610SP	SCREW 3/32-56 L=5.5		*		1.00
36	SS6060210SP	SCREW 3/32-56 L=1.9		*		1.00
37	B1511814000	REAR PRESSER FOOT		*		1.00
38	B150781400P	PRESSER FOOT		*		1.00
39	SS7080520SP	SCREW 1/8-44 L=4.9		*		1.00
40	B150880400B	SPRING		*		1.00
41	12160008	STITCH TONGUE		*		1.00
42	SS6060440TP	SCREW 3/32-56 L=3.5		*		1.00
43	B1510814000	CURL GUARD		*		1.00
44	13178306	FINGER GUARD		*		1.00
45	11598000	UPPER KNIFE SUPPORT	FOR MO-6704S			1.00
46	11845807	UPPER KNIFE	FOR MO-6704S			1.00
47	SS9111610SP	SCREW 11/64-40 L=16	FOR MO-6704S			1.00
48	11845500	UPPER KNIFE SUPPORT	FOR MO-6716S			1.00

49	11845906	UPPER KNIFE	FOR MO-6716S			1.00
50	SS9112310SP	SCREW 11/64-40 L=23	FOR MO-6716S			1.00
51	11565504	UPPER KNIFE PRESSER PLATE	FOR MO-6716S			1.00
52	11565702	WASHER				1.00
53	11848405	UPPER KNIFE COVER				1.00
54	SS4060310SP	SCREW 3/32-56 L=2.5				1.00
55	SS4060310SP	SCREW 3/32-56 L=2.5				1.00
56	40025294	SYNCHRONIZER STOPPER ASM.				1.00
57	40011755	SYNCHRONIZER TURN STOPPER ASM				1.00
58	40011757	SYNCHRONIZER STOPPER BASE		*		1.00
59	40022255	SYNCHRONIZER STOPPER		*		1.00
60	SS5120810SP	SCREW		*		1.00
61	SS9154540SP	SCREW 15/64-28 L=45		*		1.00
62	40011758	SYNCHRONIZER BASE COLLAR		*		1.00
63	40036778	V_BELT SLIDER				1.00
64	40030533	PRESSER FOOT AUXILIARY PLATE	FOR MO-6714S			1.00

ACCESSORIES PARTS COMPONENTS



No.	品番	品名	備考	子部品	消耗品	個数
1	13160858	ACCESSORIE BAG ASM.				1.00
2	13160007	RING SPANNER		*		1.00
3	13160205	PIN SPANNER		*		1.00
4	22932800	ACCESSORIE BAG		*		1.00
5	22933105	SCREW DRIVER MIDDLE		*		1.00
6	12347308	SCREW DRIVER (SMALL)		*		1.00
7	13160106	SPANNER (5X6)		*		1.00
8	13160304	S SHAPED HOOK		*		2.00
9	13160403	CHAIN		*		1.00
10	12288403	TWEEZERS		*		1.00
11	13160601	FUNNEL				1.00
12	22933006	SCREW DRIVER LARGE				1.00
13	40048535	HEAD_COVER				1.00
14	MDC270B1104	NEEDLE DCX27 #11-4EA.				1.00
15	MML018800CB	JUKI CORPORATION GENUINE OIL 1				1.00

HOW TO MAKE USE OF THIS PARTS LIST

1.Explanation of codes

1)"*"mark.....means this part is changed from the previous parts book.

As to the details of the change, refer to the "List for information of change".

2)"#01".....refer to "Note" explanation at bottom of page.

2.Codes on the "Qty" column

· Each numeral indicates the number of parts required.

· "0.1" and "2.5" indicate the length (in meters) of the respective parts.

3.Parentheses mean that the corresponding part is a subpart that constructs an assembly part.

4.Dotted lines on the Figures indicate assembly parts.