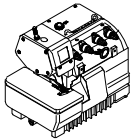

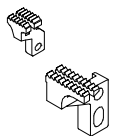



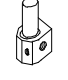




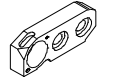

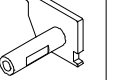

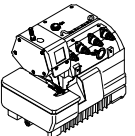

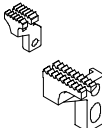



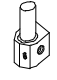

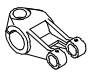


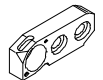

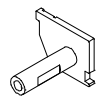

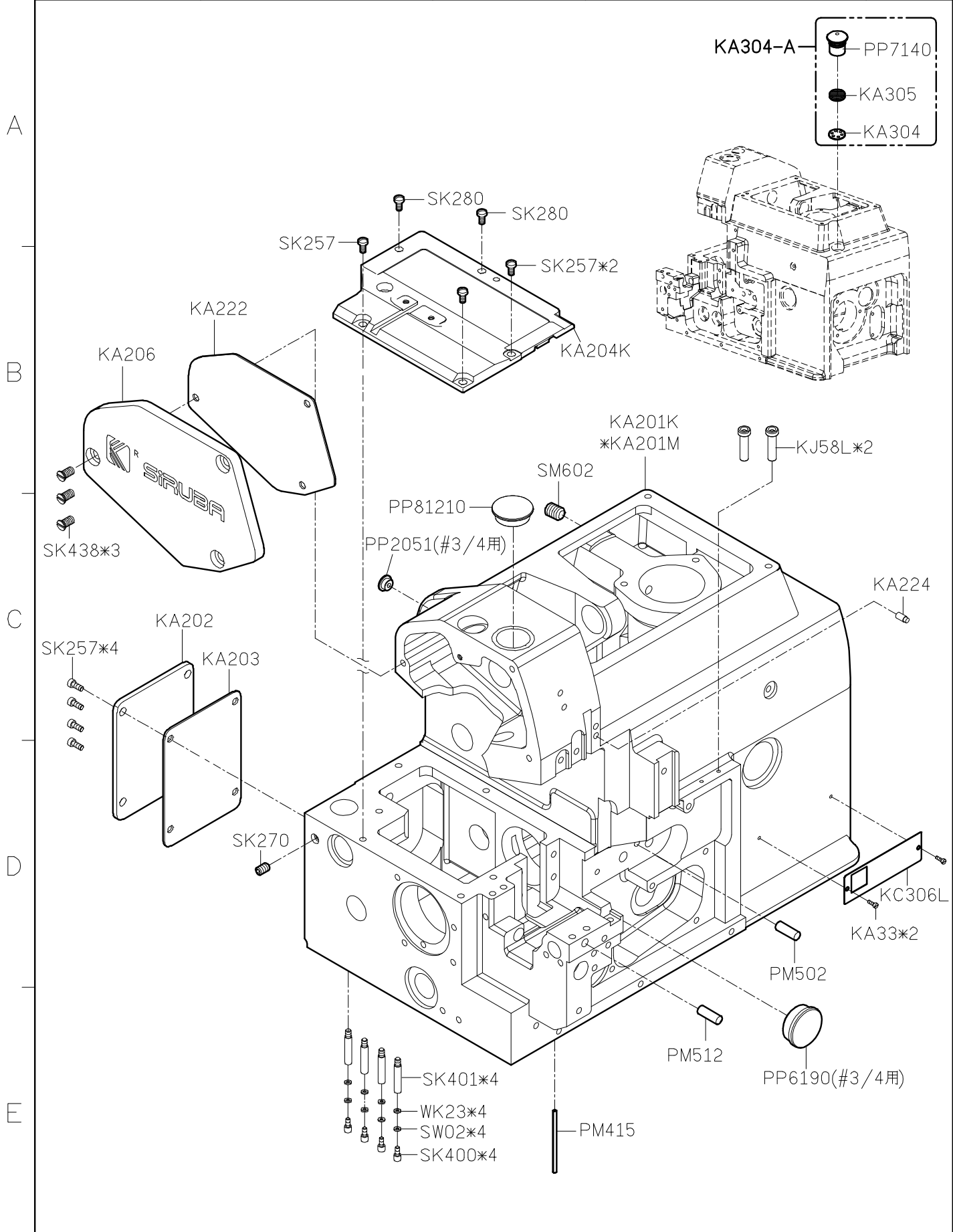


SIRUBA GAGE PARTS LIST		Series						Remark						Page	Date			
		700K												1 / 3	2020/07/22			
																		
機 型 MODEL		針板 NEEDLE PLATE	送 具 FEED DOG	送 具 FEED DOG	押 具 PRESSER FOOT	勾 針 LOOPER	針留 NEEDLE CLAMP	束 子 COLLER	衝 程 CRANK	衝 程 CRANK	大 心 Crankshaft	勾針連桿座 Upper Looper Holder	過線器 Bracket	下刀架 Lower Knife Holder	針 號 NEEDLE			
737K	503M2-04	E268	D210K	D207	H204K	P201-14A	LP231	KG231K-E	KJ247	KF203-E	KJ206-E	KD201K	KJ236K	KJ219	KR209	DCX27#11		
	504F1-04	E250	D201K	D207	H201K	P201-14A	LP225	KG231K-E	KJ247	KF203-E	KJ206-E	KD201K	KJ236K	KJ219	KR209	DCX27#9		
	504F1-15	E275	D201K	D217	H201K	P214P-A	LP225	KG231K-E	KJ247	KF203-E	KJ206-E	KD201K	KJ236K	KJ219	KR209	DCX27#9		
	504F2-02/GAL	E233K	D201K	D217	H201K	P214P-2A	LP225	KG231K-E	KJ247	KF203-E	KJ206-E	KD201K	KJ236K	KJ219	KR209	DCX27#9		
	504M1-15	E207K	D201K	D209	H201K	P211-A	LP225	KG231K-E	KJ247	KF203-E	KJ206-E	KD201K	KJ236K	KJ219	KR209	DCX27#9		
	504M2-04	E268	D210K	D207	H204K	P201-14A	LP225	KG231K-E	KJ247	KF203-E	KJ206-E	KD201K	KJ236K	KJ219	KR209	DCX27#11		
	504M2-04/LFC-3	E268	D210K	D207	H204K	P216-3	LP225	KG231K-E	KJ247	KF203-E	KJ206-E	KD201K	KJ236K	KJ219	KR209	DCX27#11		
	504M2-04/TR	E268	D210K	D207	H204K	P216-3	LP225	KG231K-E	KJ247	KF203-E	KJ206-E	KD201K	KJ236K	KJ219	KR209	DCX27#11		
	504M2-04/ECA-U	E222U	D210K	D207	H204K	P201-14A1	LP225	KG231K-E	KJ247	KF203-E	KJ206-E	KD201K	KJ236K	KJ219	KR209	DCX27#11		
	504M2-04/ECB-U	E222U	D210K	D207	H204K	P201-14A1	LP225	KG231K-E	KJ247	KF203-E	KJ206-E	KD201K	KJ236K	KJ219	KR209	DCX27#11		
	504M2-04/VTE-U	E222U	D210K	D207	H204K	P201-14A1	LP225	KG231K-E	KJ247	KF203-E	KJ206-E	KD201K	KJ236K	KJ219	KR209	DCX27#11		
	WR/LFC-3	E246					LP225	KG231K-E	KJ247	KF203-E	KJ206-E	KD201K	KJ236K	KJ219			DCX27#11	
	504M3-04	E220	D210K	D209	H204K	P201-14A	LP225	KG231K-E	KJ247	KF203-E	KJ206-E	KD201K	KJ236K	KJ219	KR209			DCX27#11
	504M3-05	E221	D210K	D209	H204K	P201-14A	LP225	KG231K-E	KJ247	KF203-E	KJ206-E	KD201K	KJ236K	KJ219	KR209			DCX27#11
	504M3-05/PZ	E221	D210K	D209	H204K	P257-A	LP225	KG231K-E	KJ247	KF203-E	KJ206-E	KD201K	KJ236K	KJ219	KR209			DCX27#18
	504M5-04/BK	E232	D203K	D207	H203K	P202-2A	LP225	KG231K-E	KJ247	KF203-E	KJ206-E	KD201K	KJ236K	KJ219	KR209			DCX27#11
	504M5-04/BK-1	E232	D203K	D207	H203K	P202-2A	LP225	KG231K-E	KJ247	KF203-E	KJ206-E	KD201K	KJ236K	KJ219	BK239			DCX27#11
505F1-04	E250	D201K	D207	H201K	P203-A	LP225	KG231K-E	KJ247	KF203-E	KJ206-E	KD201K	KJ236K	KJ219	KR209			DCX27#9	
747K	512M1-25	E208	D210K	D207	H204K	P201-A	LP228	KG242K-E	KJ247	KF215-E	KJ203-E	KD201K	KJ208K	KJ219	KR209			DCX27#11*2
	512M1-34	E236	D210K	D207	H204K	P214-A	LP228	KG254K-E	KJ247	KF215-E	KJ203-E	KD201K	KJ208K	KJ219	KR209			DCX27#14*2
	514F1-24	E212K	D210K	D207	H204K	P201-A	LP226	KG242K-E	KJ246	KF203-E	KJ203-E	KD201K	KJ208K	KJ219	KR209			DCX27#11*2
	514H4-24/GA	E252	D202K	D207	H202K	P204-A	LP226	KG242K-E	KJ246	KF203-E	KJ203-E	KD201K	KJ208K	KJ219	KR209			DCX27#11*2
	514H4-24GA/P	E252	D202K	D207	H202K	P204P-A	LP226	KG242K-E	KJ246	KF203-E	KJ203-E	KD201K	KJ208K	KJ219	KR209			DCX27#11*2
	514M2-24	E252	D210K	D207	H204K	P201-A	LP226	KG242K-E	KJ246	KF203-E	KJ203-E	KD201K	KJ208K	KJ219	KR209			DCX27#11*2
	514M2-24/TG	E252	D210K	D207	H204K	P254J-4A	LP226	KG242K-E	KJ246	KF203-E	KJ203-E	KD201K	KJ208K	KJ219	KR209			DCX27#11*2
	514M2-24/LFC-3	E252	D210K	D207	H204K	P216-4	LP226	KG242K-E	KJ246	KF203-E	KJ203-E	KD201K	KJ208K	KJ219	KR209			DCX27#11*2
	514M2-24/ECA-U	E229U	D210K	D207	H204K	P201U-A1	LP226	KG242K-E	KJ246	KF203-E	KJ203-E	KD201K	KJ208K	KJ219	KR209			DCX27#11*2
	514M2-24/VTE-U	E229U	D210K	D207	H204K	P201U-A1	LP226	KG242K-E	KJ246	KF203-E	KJ203-E	KD201K	KJ208K	KJ219	KR209			DCX27#11*2
	514M2-25	E276	D210K	D207	H204K	P201-A	LP226	KG242K-E	KJ246	KF203-E	KJ203-E	KD201K	KJ208K	KJ219	KR209			DCX27#11*2
	514M2-25/TG	E276	D210K	D207	H204K	P254J-4A	LP226	KG242K-E	KJ246	KF203-E	KJ203-E	KD201K	KJ208K	KJ219	KR209			DCX27#11*2

SIRUBA GAGE PARTS LIST		Series					Remark										Page	Date
		700K															2 / 3	2020/07/22
機 型 MODEL		針板 NEEDLE PLATE	送具 FEED DOG	送具 FEED DOG	押具 PRESSER FOOT	勾 針 LOOPER	針留 NEEDLE CLAMP	束 子 COLLER	衝 程 CRANK	衝 程 CRANK	大 心 Crankshaft	勾針連桿座 Upper Looper	過線器 Bracket	下刀架 Lower Knife	針 號 NEEDLE			
747K	514M2-25/LFC-3	E276	D210K	D207	H204K	P216-4	LP226	KG242K-E	KJ246	KF203-E	KJ203-E	KD201K	KJ208K	KJ219	KR209	DCX27#11*2		
	514M2-28	E239	D210K	D207	H204K	P201-8A	LP227A	KG242K-E	KJ248	KF203-E	KJ203-E	KD201KA	KJ228K	KJ238	KR209	DCX27#11*2		
	514M2-28/ECB-U	E239U	D210K	D207	H204K	P201-8A1	LP227A	KG242K-E	KJ248	KF203-E	KJ203-E	KD201KA	KJ228K	KJ238	KR209	DCX27#11*2		
	514M4-23	E249	D210K	D209	H204K	P201-2A	LP226	KG242K-E	KJ246	KF203-E	KJ203-E	KD201K	KJ208K	KJ219	KR209	DCX27#11*2		
	514M5-23/BK	E210	D203K	D207	H203K	P202-A	LP226	KG242K-E	KJ246	KF203-E	KJ203-E	KD201K	KJ208K	KJ219	KR209	DCX27#11*2		
	514M5-23/BK-1	E210	D203K	D207	H203K	P202-A	LP226	KG242K-E	KJ246	KF203-E	KJ203-E	KD201K	KJ208K	KJ219	BK239	DCX27#11*2		
	514M5-24/BK	E247	D203K	D207	H203K	P202-A	LP226	KG242K-E	KJ246	KF203-E	KJ203-E	KD201K	KJ208K	KJ219	KR209	DCX27#11*2		
	514M5-24/BK-1	E247	D203K	D207	H203K	P202-A	LP226	KG242K-E	KJ246	KF203-E	KJ203-E	KD201K	KJ208K	KJ219	BK239	DCX27#11*2		
	514M7-24	E226	D212	D207	H210	P201-A	LP230	KG242K-E	KJ248	KF203-E	KJ203-E	KD201KA	KJ228K	KJ238	KR209	DCX27#16*2		
	514M7-24/BK	E247	D203K	D207	H203K	P202-A	LP230	KG242K-E	KJ248	KF203-E	KJ203-E	KD201KA	KJ228K	KJ238	KR209	DCX27#16*2		
	514M7-24/BK-1	E247	D203K	D207	H203K	P202-A	LP230	KG242K-E	KJ248	KF203-E	KJ203-E	KD201KA	KJ228K	KJ238	BK239	DCX27#16*2		
	514M7-24/TG	E226	D212	D207	H210	P254J-4A	LP230	KG242K-E	KJ248	KF203-E	KJ203-E	KD201KA	KJ228K	KJ238	KR209	DCX27#16*2		
	514M7-25	E225	D212	D207	H210	P201-A	LP230	KG242K-E	KJ248	KF203-E	KJ203-E	KD201KA	KJ228K	KJ238	KR209	DCX27#16*2		
	514M7-25/BK	E248	D203K	D207	H203K	P202-A	LP230	KG242K-E	KJ248	KF203-E	KJ203-E	KD201KA	KJ228K	KJ238	KR209	DCX27#16*2		
	514M7-25/BK-1	E248	D203K	D207	H203K	P202-A	LP230	KG242K-E	KJ248	KF203-E	KJ203-E	KD201KA	KJ228K	KJ238	BK239	DCX27#16*2		
514M7-25/TG	E225	D212	D207	H210	P254J-4A	LP230	KG242K-E	KJ248	KF203-E	KJ203-E	KD201KA	KJ228K	KJ238	KR209	DCX27#16*2			
514M7-25/ECA-U	E225U	D212	D207	H210	P201U-A1	LP230	KG242K-E	KJ248	KF203-E	KJ203-E	KD201KA	KJ228K	KJ238	KR209	DCX27#16*2			
757K	401M1/TW	E237	D219K		H219K	P506-A		KG253K-E	KJ247	KF203-E	KJ206-E	KD201K	TW201			DCX27#14*1		
	516H4-35/GA	E213	D204K	D207	H205K	P508J-A	LP226	KG253K-E	KJ247	KF203-E	KJ206-E	KD201K	KJ236K	KJ219	KR219	DCX27#14*2		
	516H4-35GA/P	E213	D204K	D207	H205K	P508JP-A	LP226	KG253K-E	KJ247	KF203-E	KJ206-E	KD201K	KJ236K	KJ219	KR219	DCX27#14*2		
	516H4-55/GA	E214	D205K	D207	H206K	P509J-A	LP226	KG255K-E	KJ247	KF203-E	KJ206-E	KD201K	KJ236K	KJ219	KR219	DCX27#14*2		
	516H4-55/GA/P	E214	D205K	D207	H206K	P509JP-A	LP226	KG255K-E	KJ247	KF203-E	KJ206-E	KD201K	KJ236K	KJ219	KR219	DCX27#14*2		
	516L1-24	E215	D206	D207	H207	P500J-A	LP225	KG252K-E	KJ247	KF203-E	KJ206-E	KD201K	KJ236K	KJ219	KR219	DCX27#14*2		
	516L1-35	E216	D206	D207	H212	P504J-A	LP225	KG253K-E	KJ247	KF203-E	KJ206-E	KD201K	KJ236K	KJ219	KR219	DCX27#14*2		
	516M2-35	E217	D208K	D207	H208K	P504J-A	LP226	KG253K-E	KJ247	KF203-E	KJ206-E	KD201K	KJ236K	KJ219	KR219	DCX27#14*2		
	516M2-35/PS	E227	D208K	D207	H214K	P504JS-A	LP226	KG253K-E	KJ247	KF203-E	KJ206-E	KD201K	KJ236K	KJ219	KR219	DCX27#14*2		
	516M2-35/ECA-U	E217U	D208K	D207	H208K	P504J-A	LP226	KG253K-E	KJ247	KF203-E	KJ206-E	KD201K	KJ236K	KJ219	KR219	DCX27#14*2		
	516M2-35/ECB-U	E217U	D208K	D207	H208K	P504J-A	LP226	KG253K-E	KJ247	KF203-E	KJ206-E	KD201K	KJ236K	KJ219	KR219	DCX27#14*2		
	516M2-55	E254	D208K	D207	H209K	P502J-A	LP226	KG255K-E	KJ247	KF203-E	KJ206-E	KD201K	KJ236K	KJ219	KR219	DCX27#14*2		
	516M2-55/PS	E228	D208K	D207	H215K	P502JS-A	LP226	KG255K-E	KJ247	KF203-E	KJ206-E	KD201K	KJ236K	KJ219	KR219	DCX27#14*2		

SIRUBA GAGE PARTS LIST		Series							Remark						Page	Date
		700K													3 / 3	2020/07/22
																
機 型 MODEL		針板 NEEDLE PLATE	送 具 FEED DOG	送 具 FEED DOG	押 具 PRESSER FOOT	勾 針 LOOPER	針留 NEEDLE CLAMP	束 子 COLLER	衝 程 CRANK	衝 程 CRANK	大 心 Crankshaft	勾針連桿座 Upper Looper Holder	過線器 Bracket	下刀架 Lower Knife Holder	針 號 NEEDLE	
757K	516M2-55/ECA-U	E218U	D208K	D207	H215K	P502J-A	LP226	KG255K-E	KJ247	KF203-E	KJ206-E	KD201K	KJ236K	KJ219	KR219	DCX27#14*2
	516M2-55/ECB-U	E218U	D208K	D207	H215K	P502J-A	LP226	KG255K-E	KJ247	KF203-E	KJ206-E	KD201K	KJ236K	KJ219	KR219	DCX27#14*2
	516X2-56	E260	D602	D601	H220A	P962-A	LP230	KG255K-E	KJ246+KJ234	KF203-E	KJ206-E	KD201KA	KJ236K	KJ238	KR223	DCX27#18*2
	401M2-30TA	E235	D211K	D222K	H216K	P224-A		KG266-E	KJ247	KF203-E	KJ206-E	KD201K	TW201		KR219	DCX27#14*2
	401M2-50TA	E238	D211K	D222K	H216K	P223-A		KG256K-E	KJ247	KF203-E	KJ206-E	KD201K	TW201		KR219	DCX27#14*2
767K	516M2-324	E272	D208K	D207	H209K	P233J-A	LP226	KG433K-E	KJ246	KF203-E	KJ203-E	KD201K	KJ208K	KJ219	KR219	DCX27#11*3
	516M2-324/ECA-U	E219U	D208K	D207	H209K	P233J-A	LP226	KG433K-E	KJ246	KF203-E	KJ203-E	KD201K	KJ208K	KJ219	KR219	DCX27#11*3
	516M2-324/ECB-U	E219U	D208K	D207	H209K	P233J-A	LP226	KG433K-E	KJ246	KF203-E	KJ203-E	KD201K	KJ208K	KJ219	KR219	DCX27#11*3
	516M2-524	E273	D208K	D207	H209K	P255J-A	LP226	KG455K-E	KJ246	KF203-E	KJ203-E	KD201K	KJ208K	KJ219	KR219	DCX27#11*3
	516M2-524/ECB-U	E224U	D208K	D207	H209K	P255J-A	LP226	KG455K-E	KJ246	KF203-E	KJ203-E	KD201K	KJ208K	KJ219	KR219	DCX27#11*3

SIRUBA PARTS LIST	Series	Parts Group	Subclass / Remark	Page
	700K/700KD 988/988D	KA	*: Use for 700KD/988D	1/1
				Date 2020/07/13



- KA304-A — PP7140
- KA305
- KA304

A

B

C

D

E

1

2

3

4

5

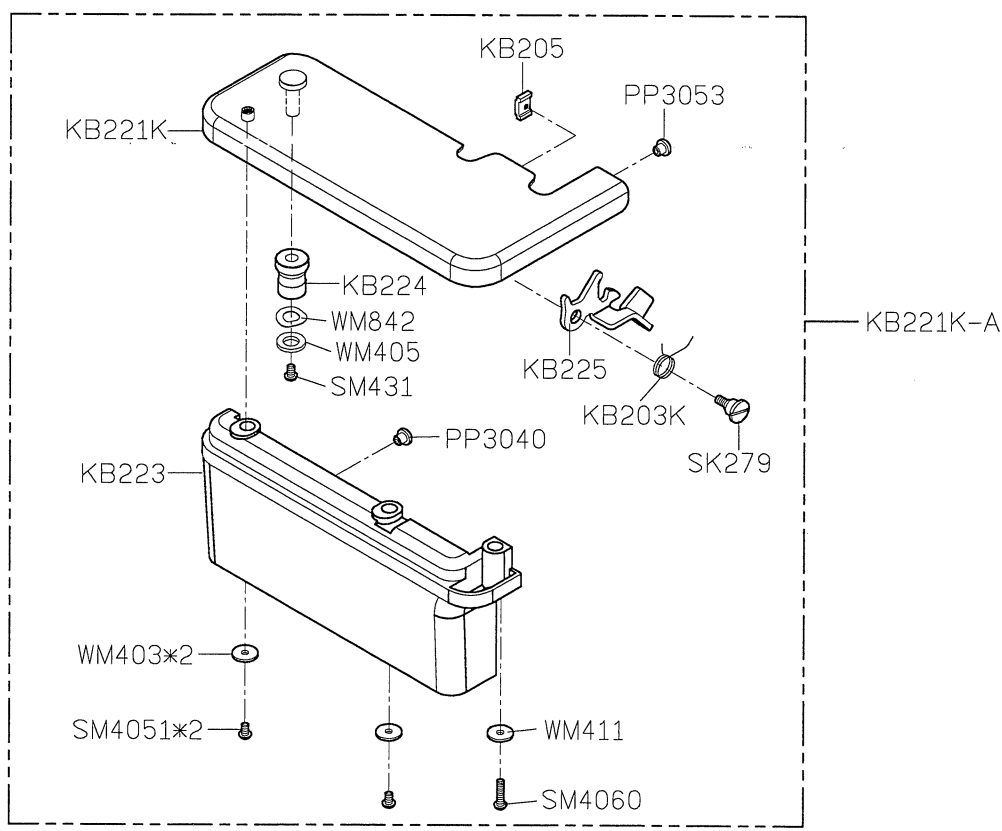
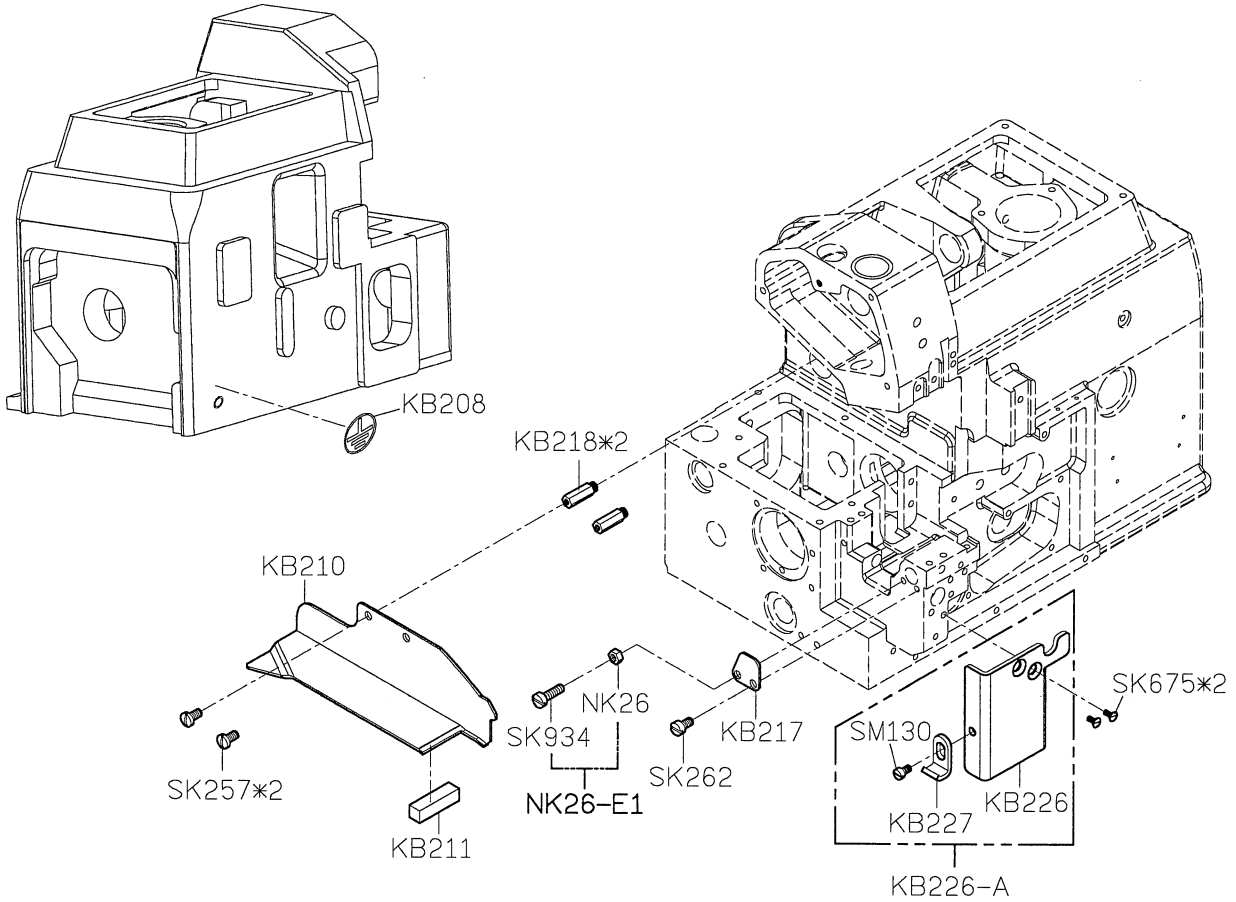
A

B

C

D

E

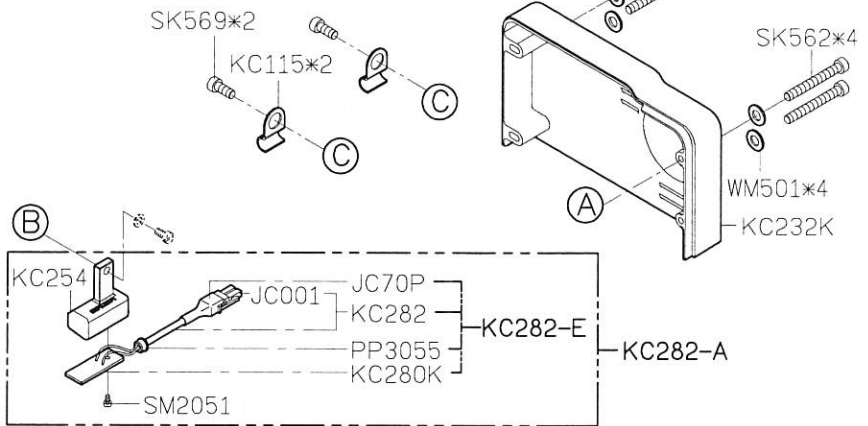
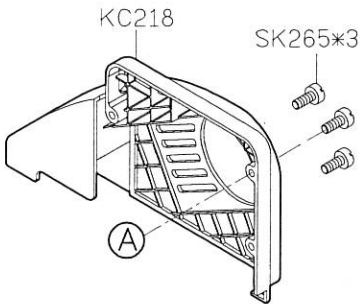


SIRUBA PARTS LIST	Series	Parts Group	Subclass / Remark	Page
	700K/700KD 988/988D	KC	*: Use for 988	1/1
				Date
				2022/10/04

FOR 700K/988

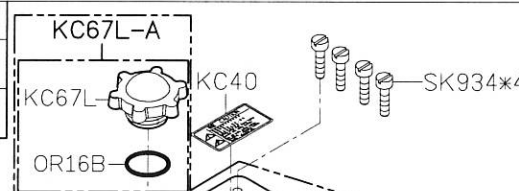
FOR 700KD/988D

A



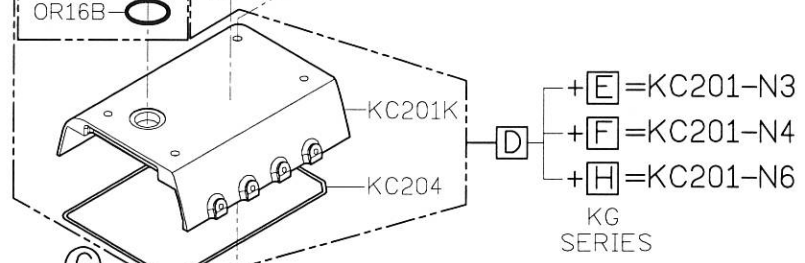
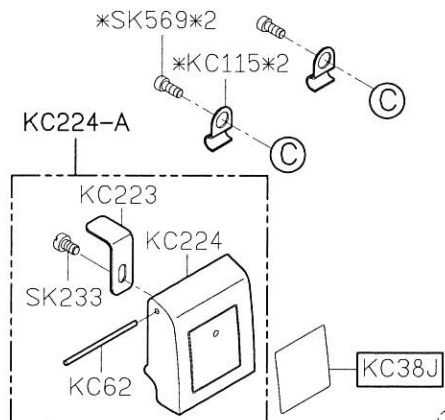
B

MODEL	700K	700KD	988	988D
PARTS NO	KC38J	KC38J	KC38C	KC38DC
	SK262	SK265	SK265	SK265

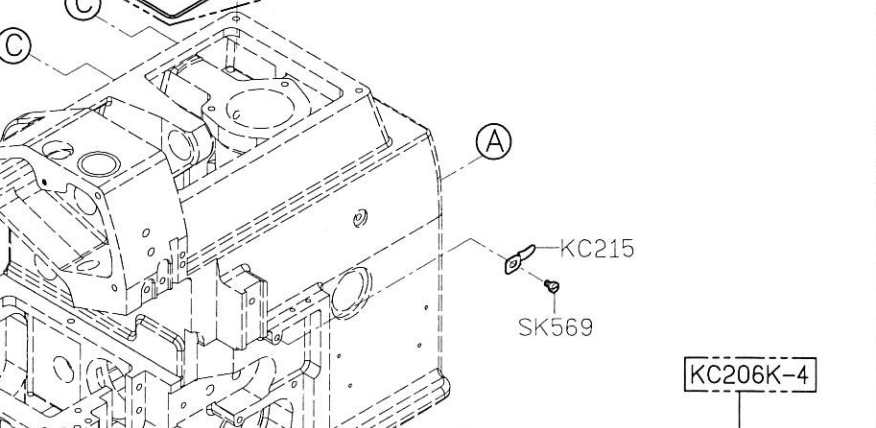
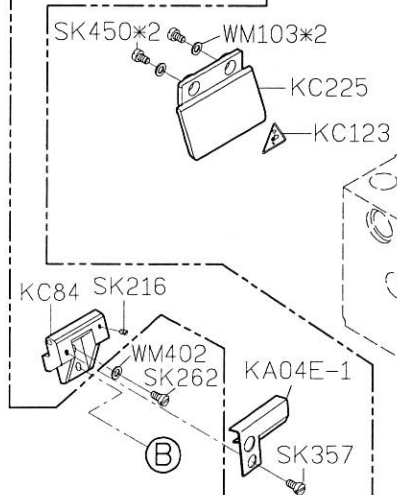


MODEL	#3/#4	#5
PARTS NO	KC209K	KC219K
	KC206K-4	KC206K-5

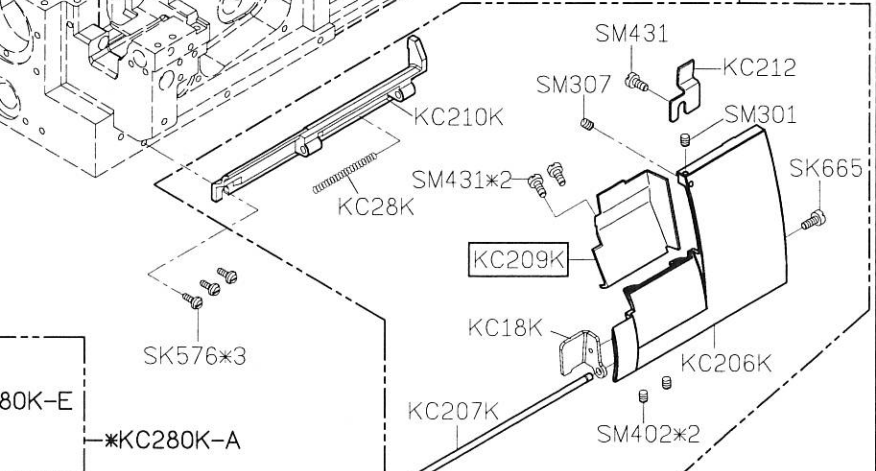
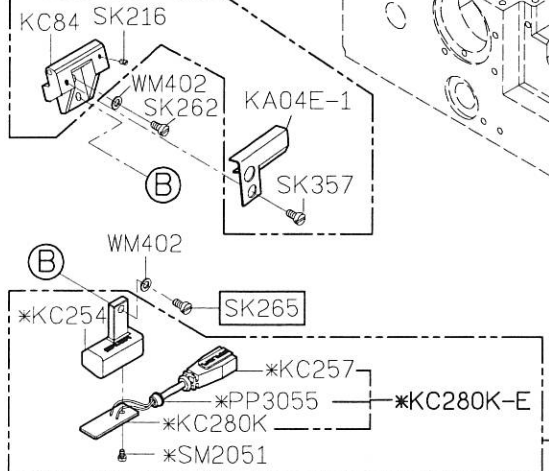
C



D



E



1

2

3

4

5

SIRUBA PARTS LIST	Series		Parts Group	Subclass / Remark	Page
	700K/700KD 988/988D		KD	<input checked="" type="checkbox"/> FOR H MOTOR <input checked="" type="checkbox"/> FOR Y MOTOR	1/2
					Date
					2019/06/23

MODEL	#3/#4	#5/#6
PARTS NO	KD204	KD217
	SM603B	KD220
	SK241*3	SK539*2 SK872*1

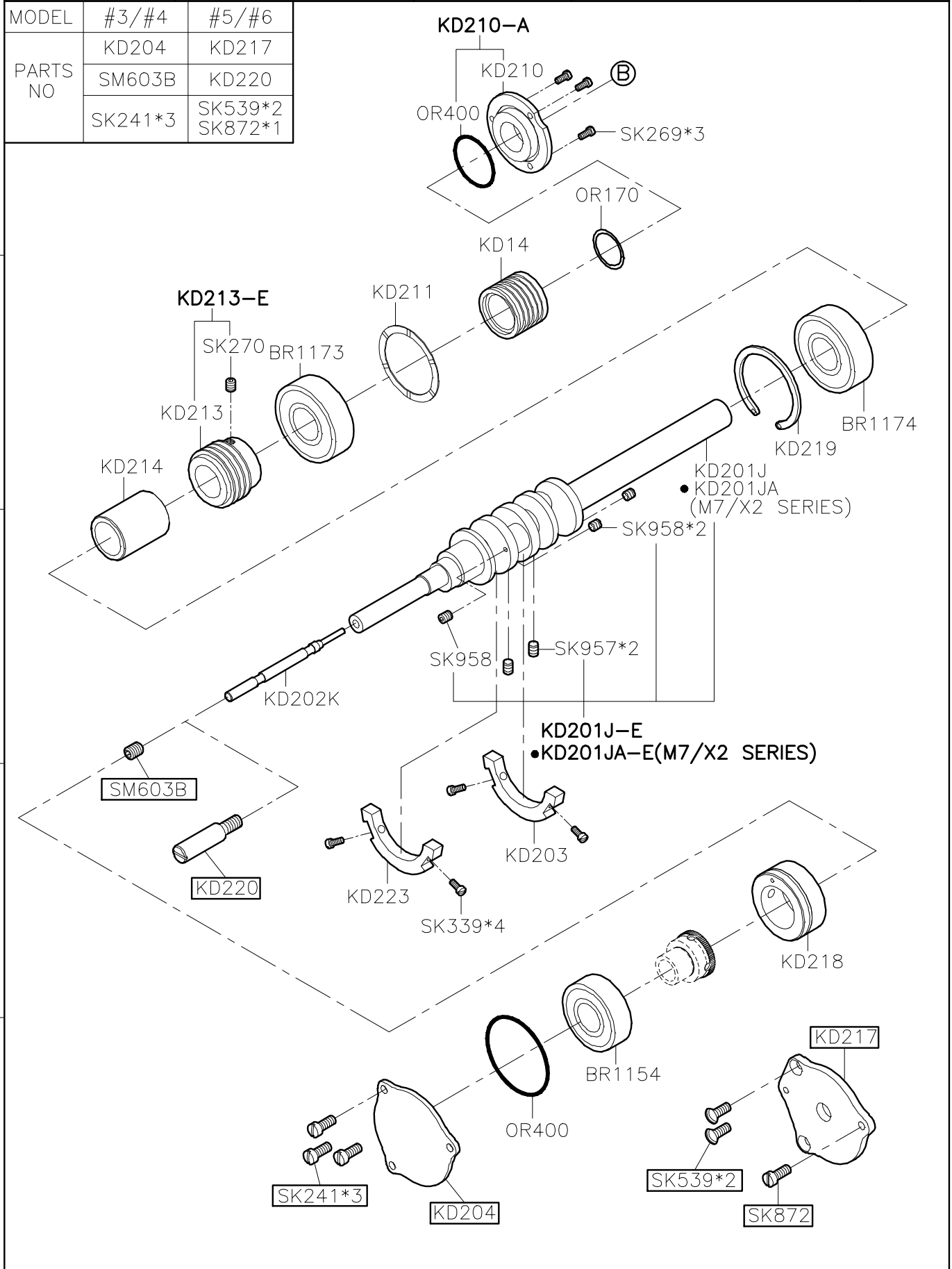
A

B

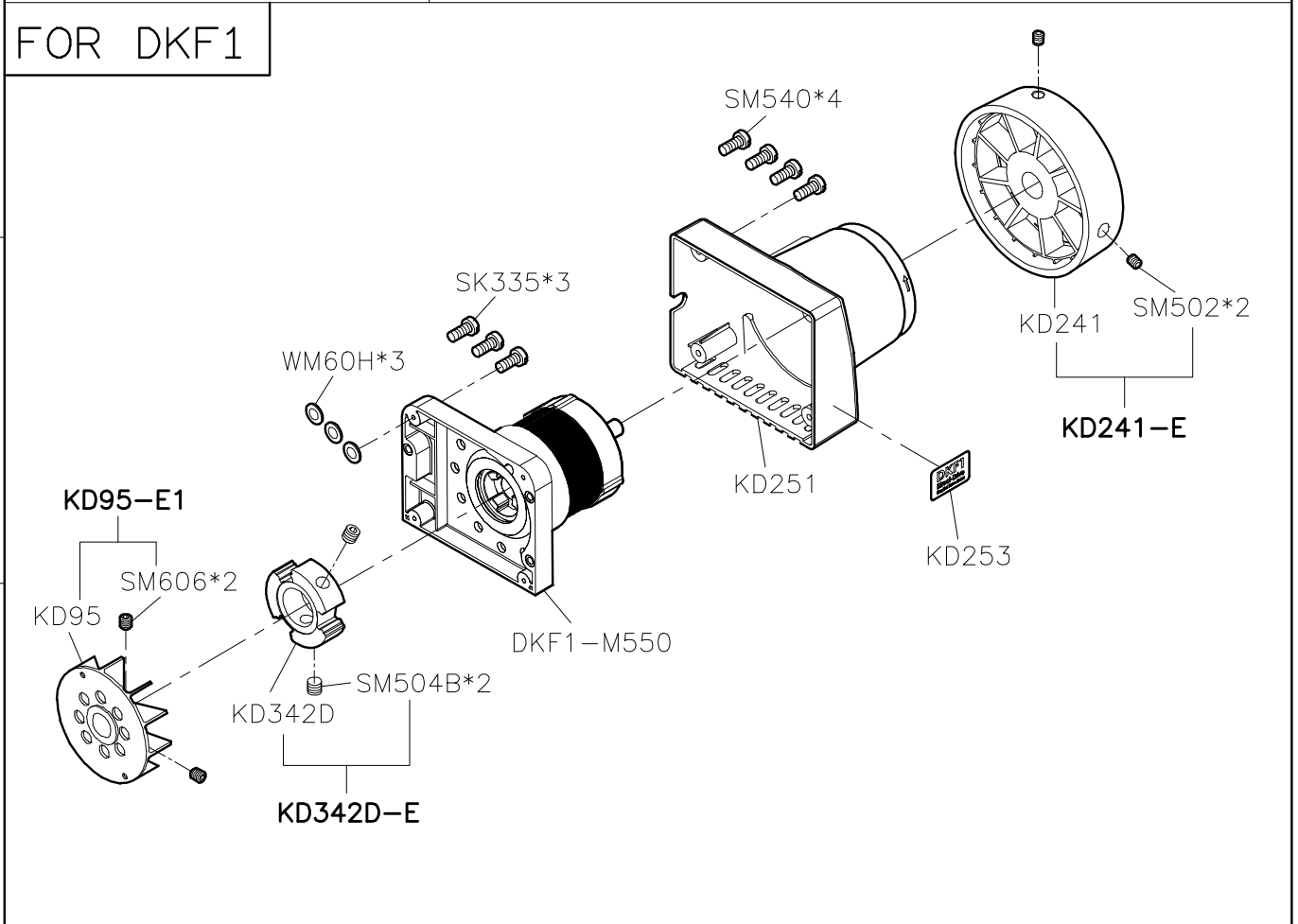
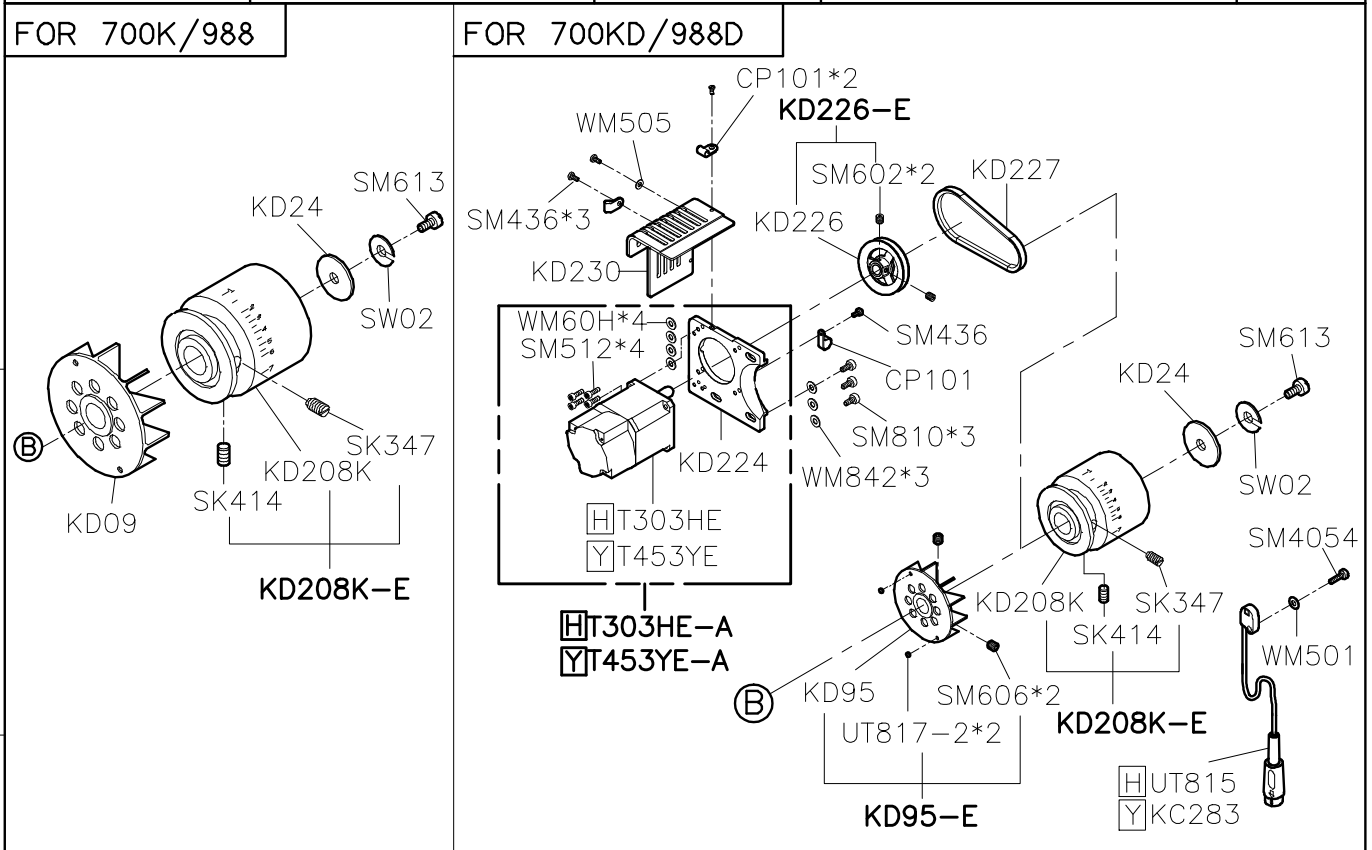
C

D

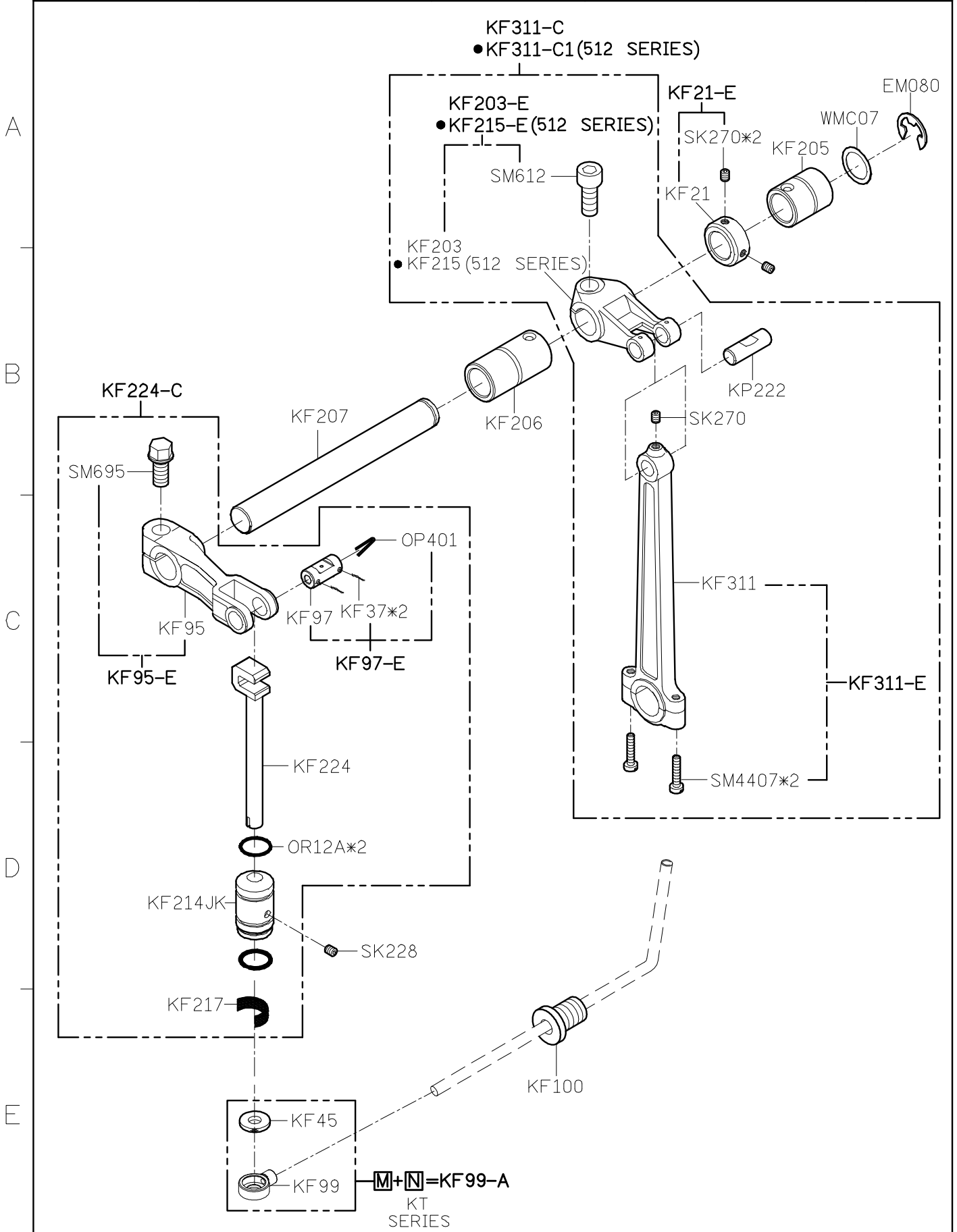
E



SIRUBA PARTS LIST	Series	Parts Group	Subclass / Remark	Page
	700K/700KD 988/988D	KD	<input type="checkbox"/> FOR H MOTOR <input type="checkbox"/> FOR Y MOTOR	2/2
				Date
				2019/10/25



SIRUBA PARTS LIST	Series	Parts Group	Subclass / Remark	Page
	700K/700KD 988/988D	KF		1/1
				Date
				2020/03/25



1 2 3 4 5

SIRUBA

PARTS LIST

Series

700K/700KD
988/988D

Parts Group

KG

Subclass / Remark

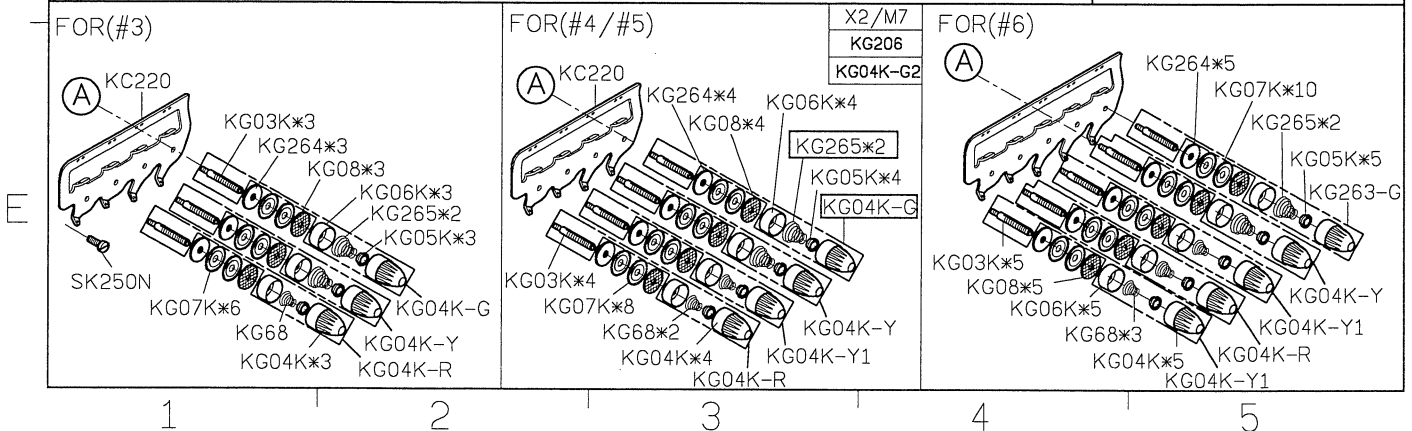
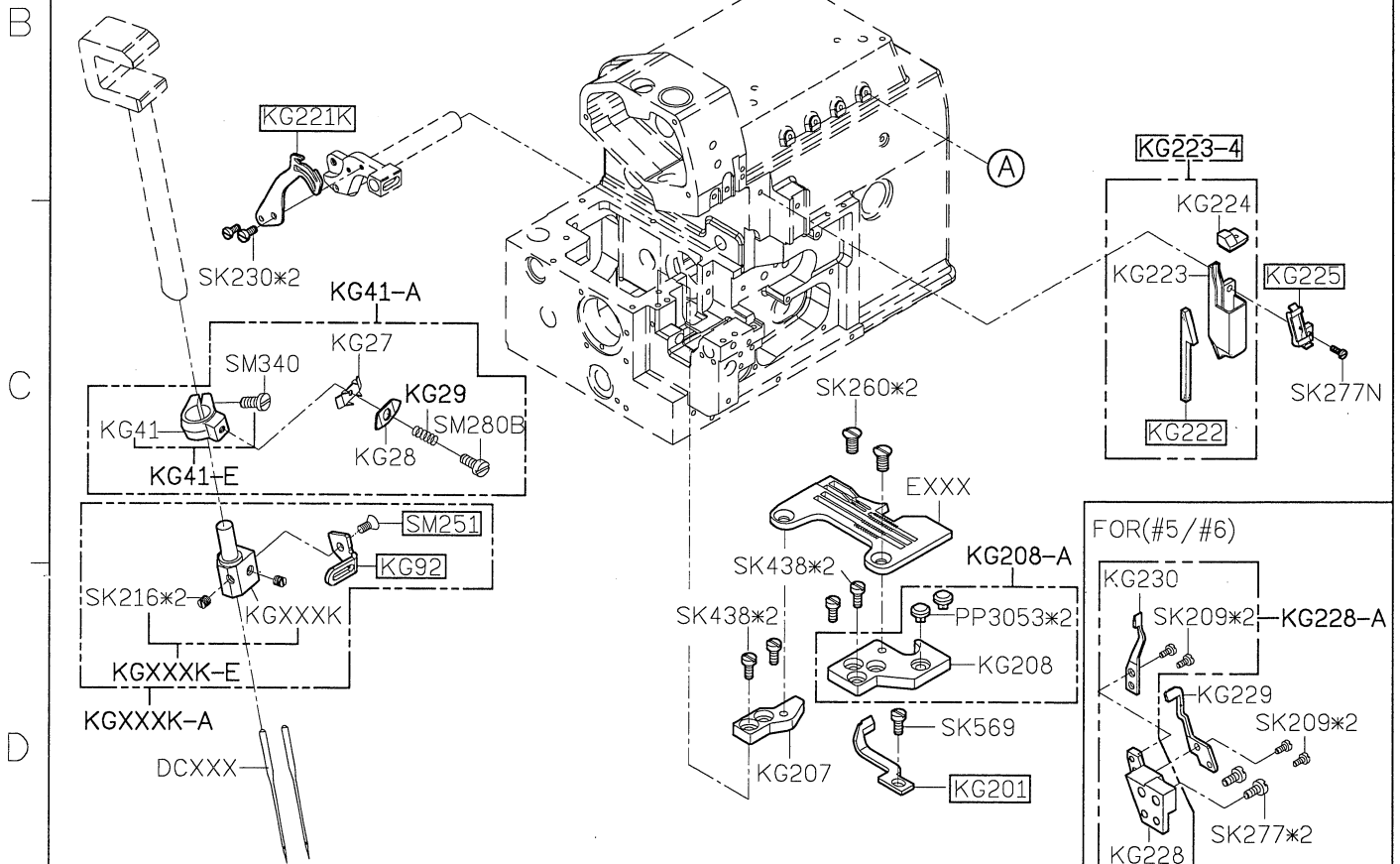
Page

1/1

Date

2017/11/29

MODEL	#3	#4	#5	#6	FOR(#3/#4)	FOR(#5/#6)
PARTS NO	KG262	KG211K	KG262	KG211K		
	KG248	KG213K	KG239	KG246		
	KG250K	KG221K	KG243K	KG251K		
	KG222	KG222	KG245	KG245		
	KG225	KG225	KG261	KG261		
	KG201	KG201	KG244	KG244		
	KG93	KG92	KG267	KG267		
	SK216	SK216	SK216*2	SK216*2		
	SK250N	SK250N	SK250N*2	SK250N*2		
	SK437N	SK437N	SK569	SK569		
	SK674N	SK674N	SK674N	SK674N		
	SM251	SM251	SM250	SM250		
	KG212-3	KG212-4	KG241-5	KG241-6		
KG223-4	KG223-4	KG223-5	KG223-5			



SIRUBA

PARTS LIST

Series
700K/700KD
988/988D

Parts Group
KJ

Subclass / Remark

Page

1/1

Date

2020/07/16

MODEL	#3/#5	#4/#6	#4 M7/M2-28	#5 X2
PARTS NO	KJ247-E	KJ246-E	KJ248-E	KJ246-E+KJ234
	KJ206	KJ203	KJ203	KJ206
	KJ206-E	KJ203-E	KJ203-E	KJ206-E
	KJ206-C1	KJ203-C1	KJ203-C1	KJ206-C
	KJ236K	KJ208K	KJ228K	KJ236K
	KJ236K-C1	KJ208K-C1	KJ228K-C1	KJ236K-C1
	KJ219		KJ238	KJ238

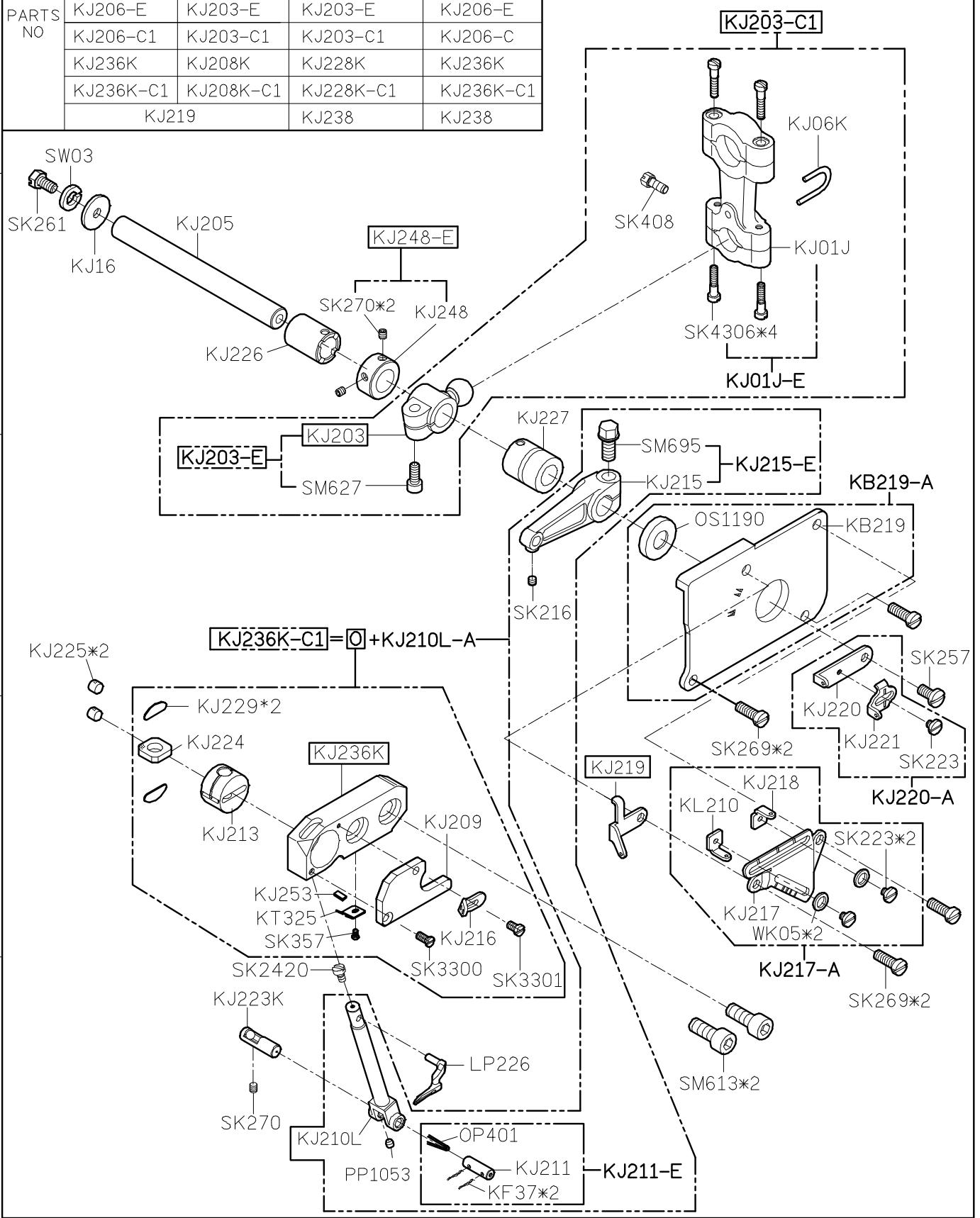
A

B

C

D

E



1 2 3 4 5

SIRUBA PARTS LIST	Series	Parts Group	Subclass / Remark	Page
	700K/700KD 988/988D	KL		1/1
				Date
				2018/03/15

MODEL	#3/#4	#5/#6	M7/X2 SERIES
PARTS NO	KL202		KL202A
	KL211-A		KL211-A1
	KL205	KL209	
	KL205-E	KL209-E	
	KL205-C1	KL209-C1	

KL KL KM
SERIES SERIES SERIES
 $\boxed{P} + \boxed{R} + \boxed{S} = \text{KL209-C1}$
 KL KL
SERIES SERIES
 $\boxed{P} + \boxed{Q} = \text{KL205-C1}$

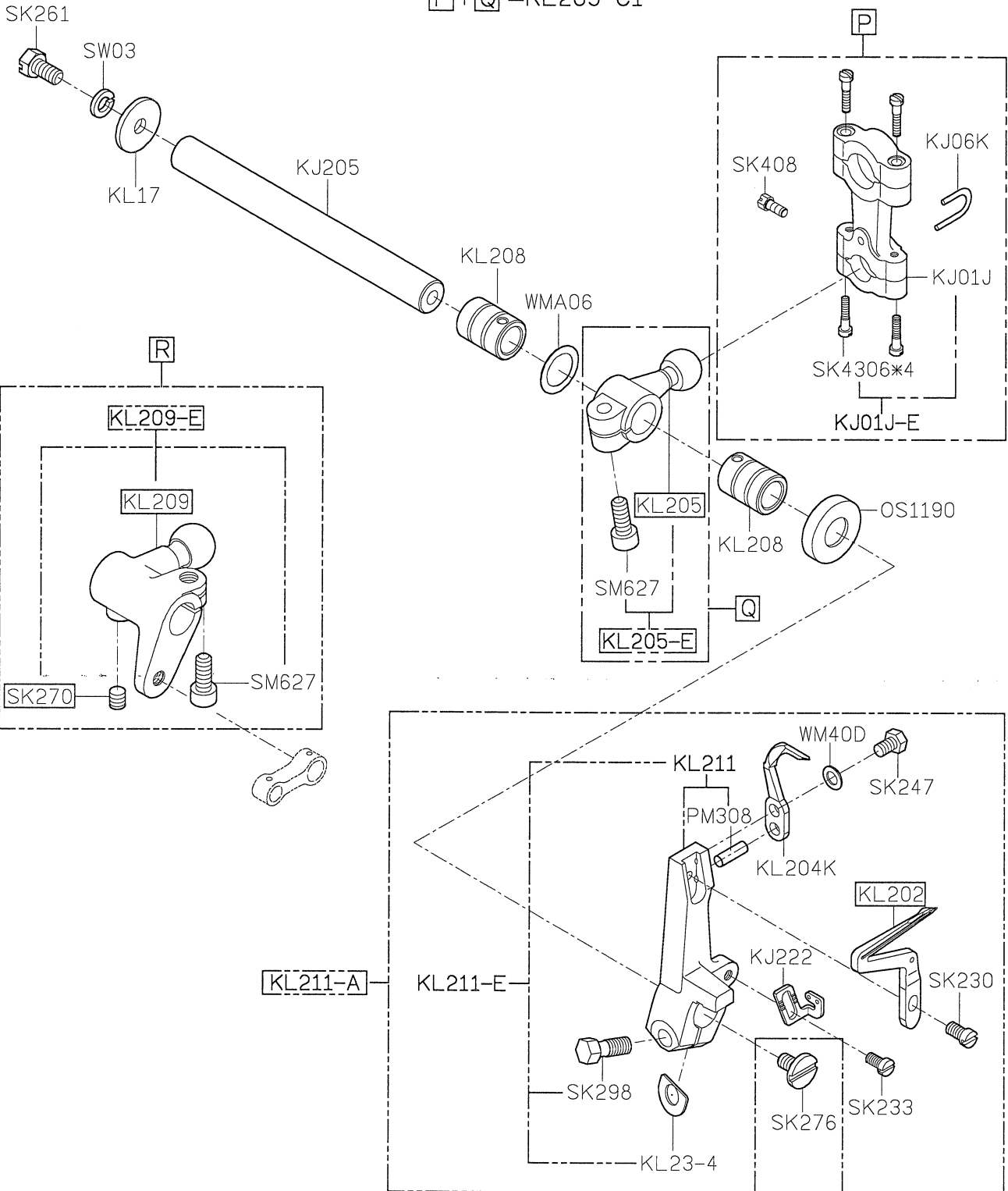
A

B

C

D

E



1

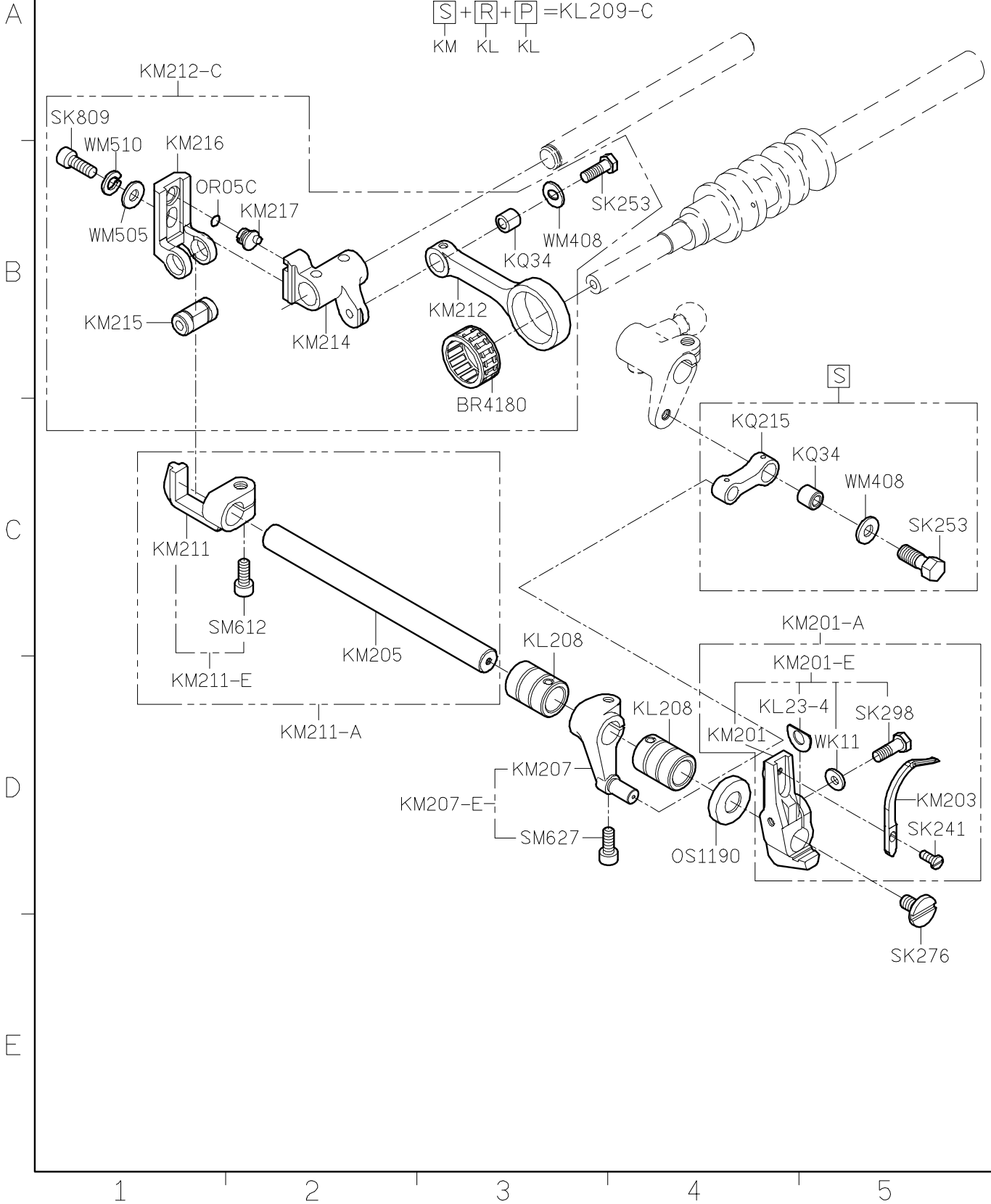
2

3

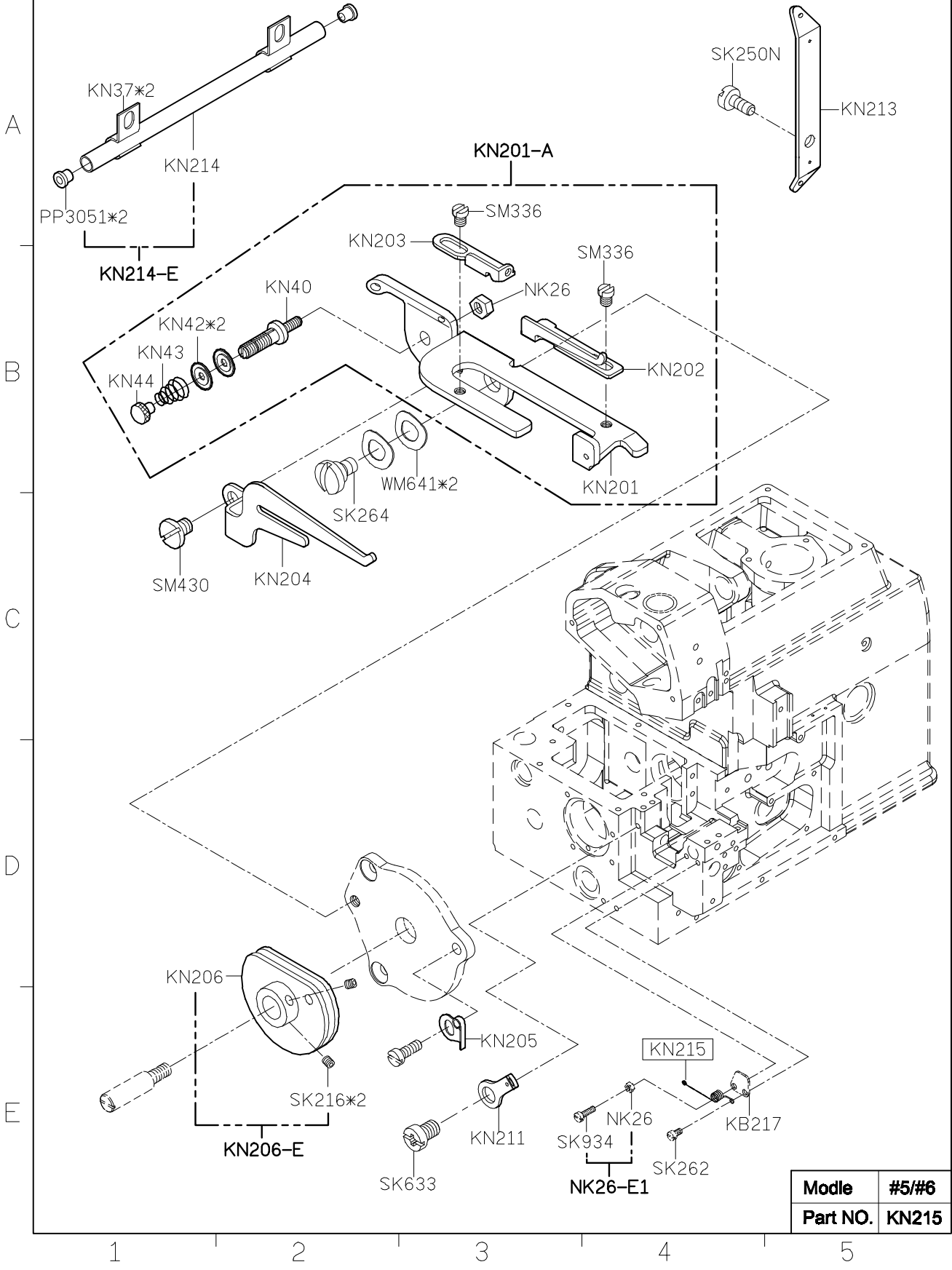
4

5

SIRUBA PARTS LIST	Series	Parts Group	Subclass / Remark	Page
	700K/700KD	KM		1/1
	988/988D			Date
				2019/08/06



SIRUBA PARTS LIST	Series	Parts Group	Subclass / Remark	Page
	700K/700KD	KN		1/1
	988/988D			Date
				2012/08/18



Modle	#5/#6
Part NO.	KN215

SIRUBA PARTS LIST	Series	Parts Group	Subclass / Remark	Page
	700K/700KD	KP		1/1
	988/988D			Date
				2014/01/15

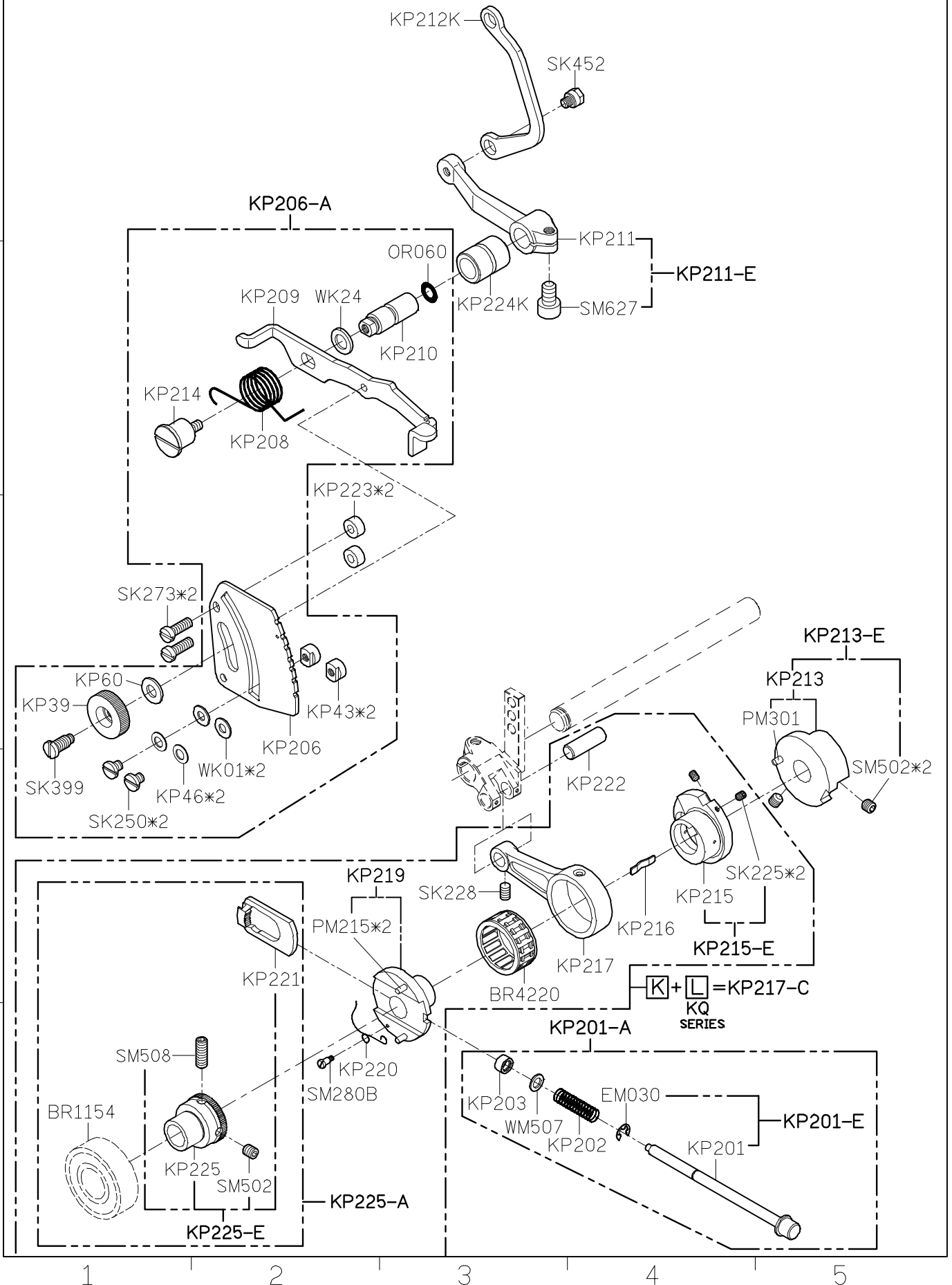
A

B

C

D

E



SIRUBA

PARTS LIST

Series

700K/700KD
988/988D

Parts Group

KR

Subclass / Remark

Page

1/1

Date

2018/3/16

MODEL	#3/#4	#5/#6	#5 X2
PARTS NO	KR202	KR218	KR218
	KR202-E	KR218-E	KR218-E
	KR311-C	KR311-C1	KR311-C1
	KR206K	KR221	KR221
	KR206K-A	KR221-A	KR221-A1
	KR209	KR219	KR223
	KR209-A	KR219-A	KR223-A

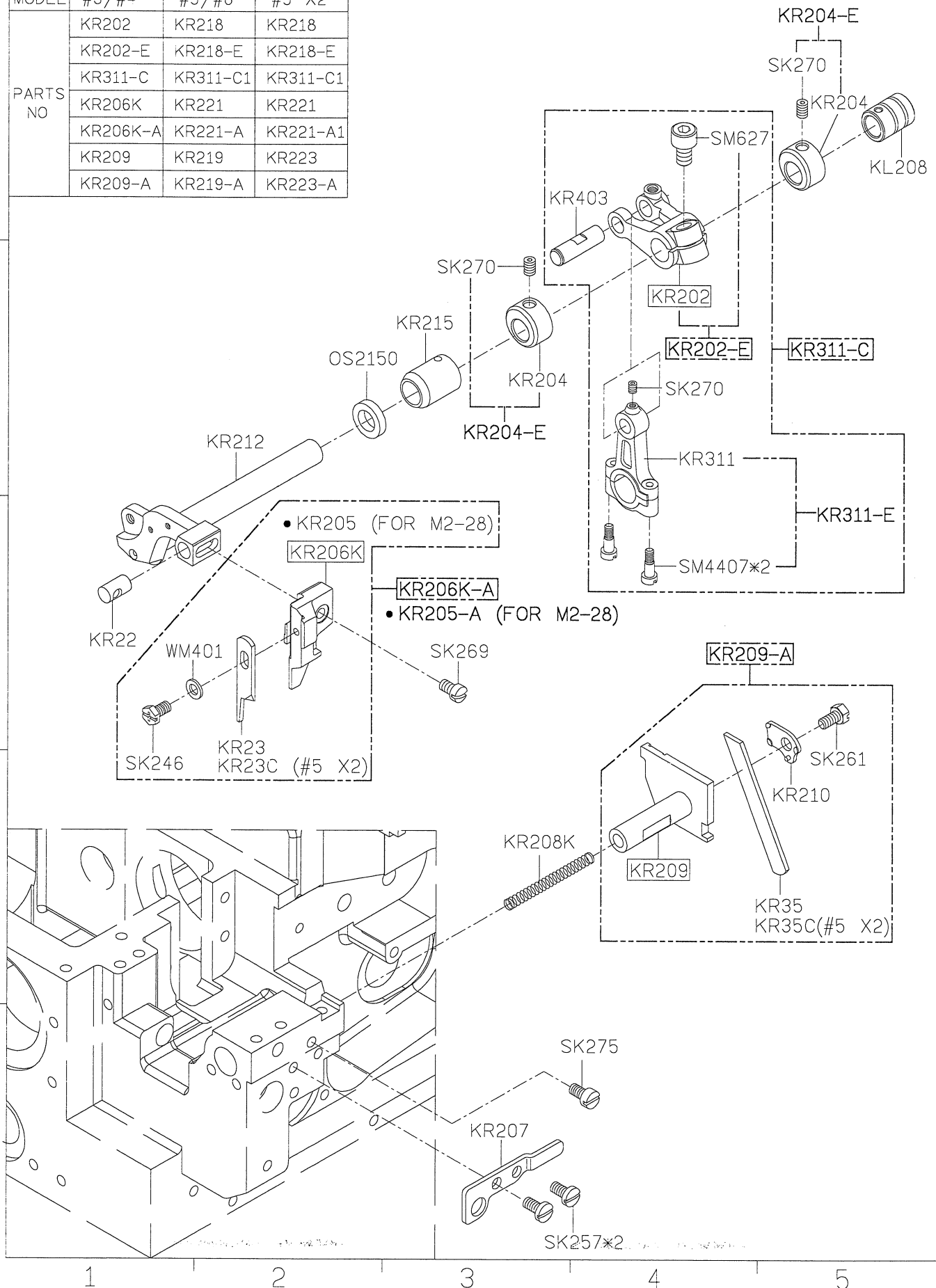
A

B

C

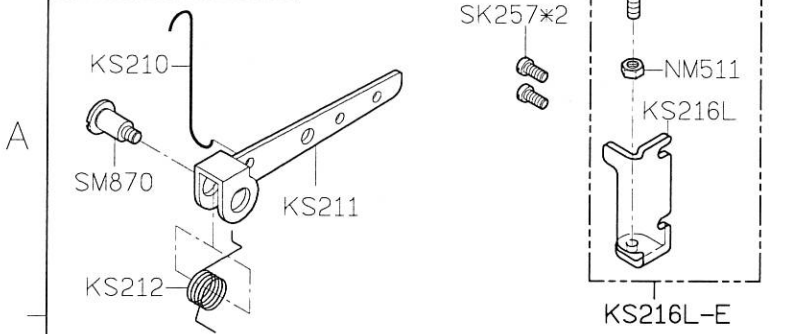
D

E

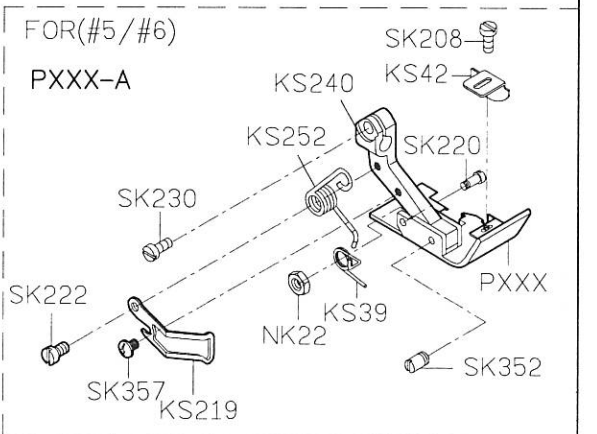
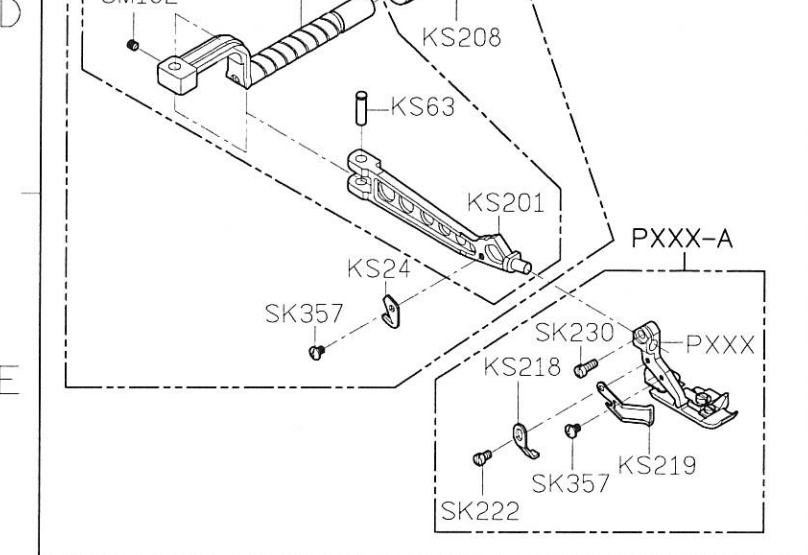
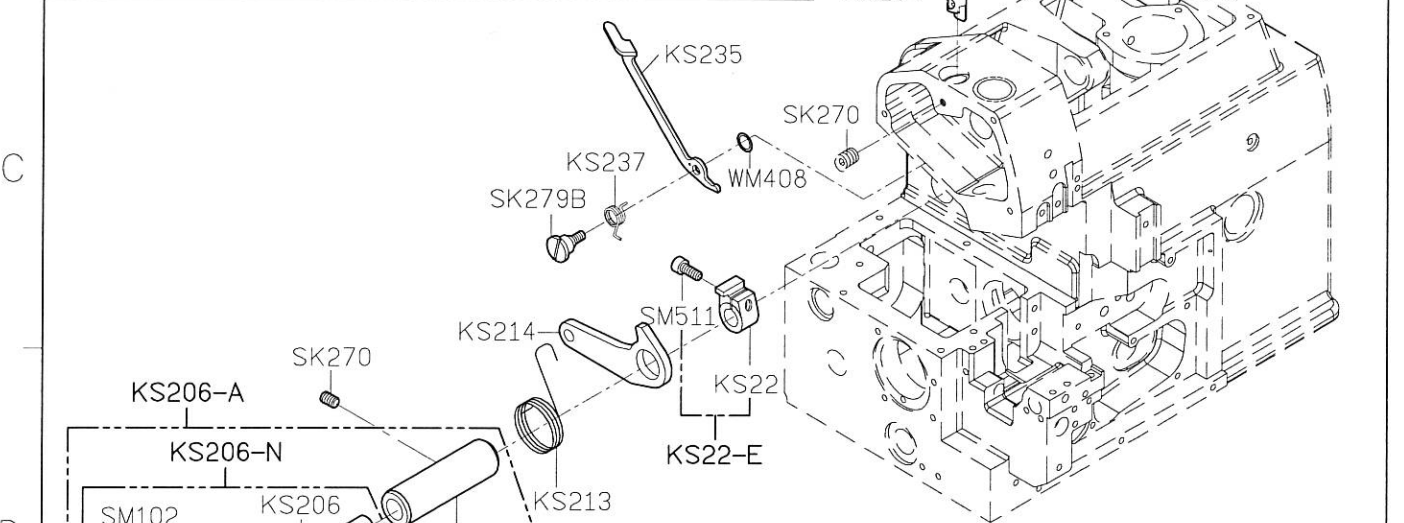
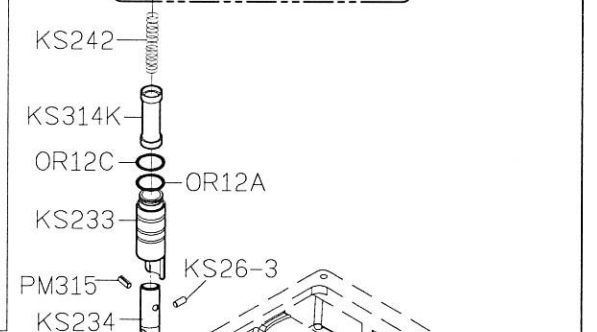
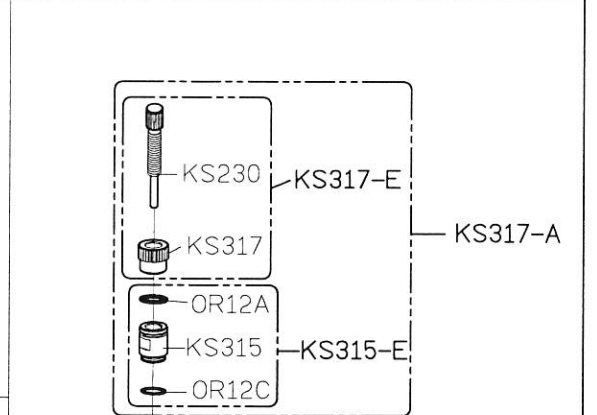
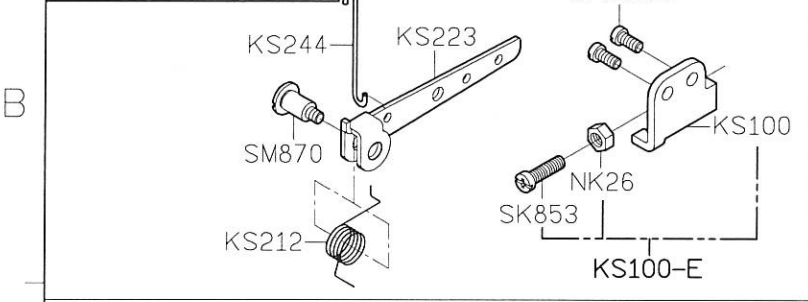


SIRUBA PARTS LIST	Series	Parts Group	Subclass / Remark	Page
	700K/700KD 988/988D	KS		1/1
				Date
				2020/11/09

FOR 700K/988



FOR 700KD/988D



SIRUBA

PARTS LIST

Series

700K/700KD
988/988D

Parts Group

KT

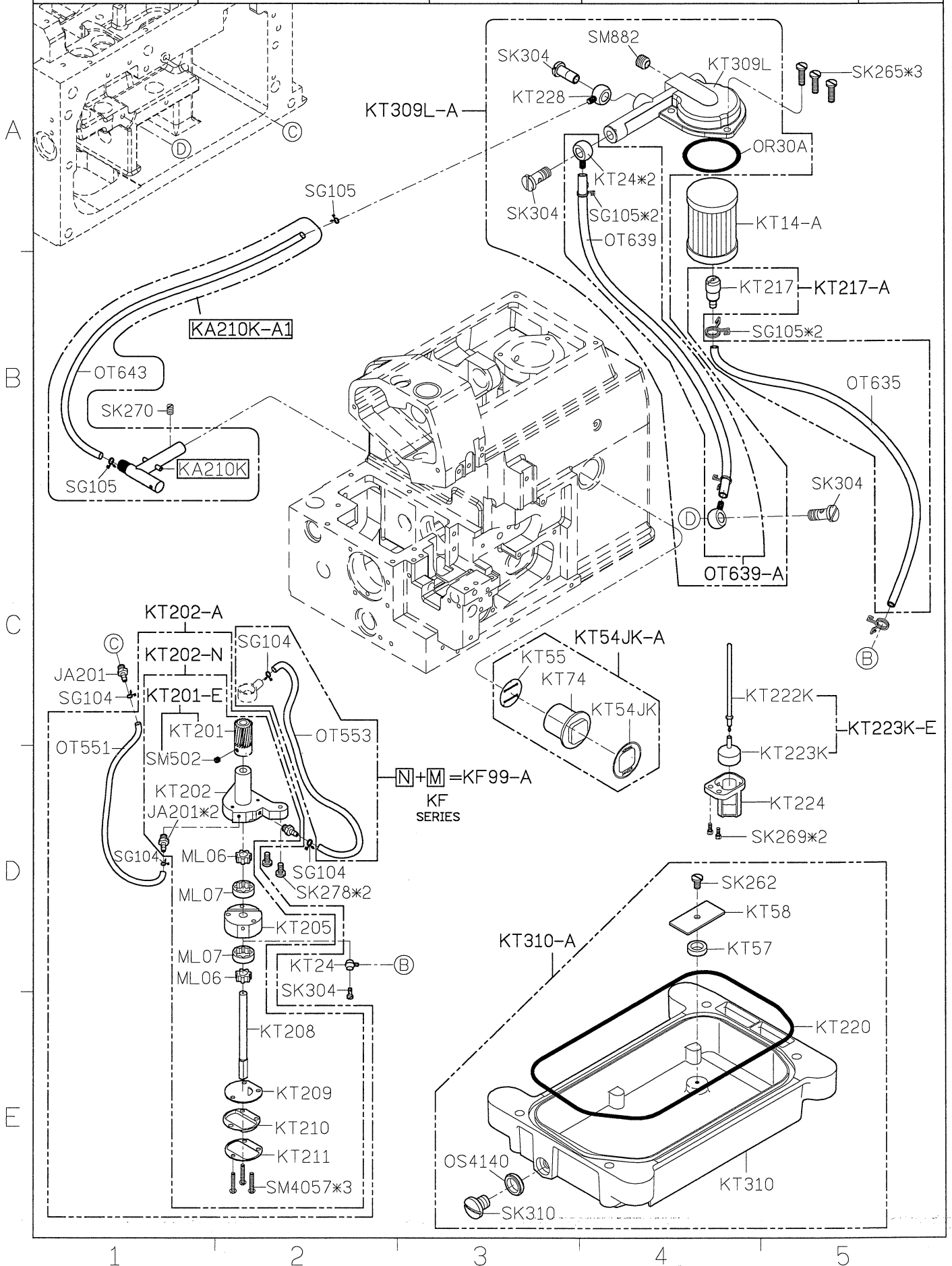
Subclass / Remark

Page

1/1

Date

2019/03/14



SIRUBA

PARTS LIST

Series

700K/700KD
988/988D

Parts Group

KU

Subclass / Remark

Page

1/1

Date

2018/01/12

MODEL #3/#4 #5/#6

KU40 KU39

KU220-4 KU220-5

KU207 KU209

KU206 KU211

KU203-4 KU203-5

SK277 SK437

PARTS NO

KU60-A
(FOR 505F1-04)

① KU60-E

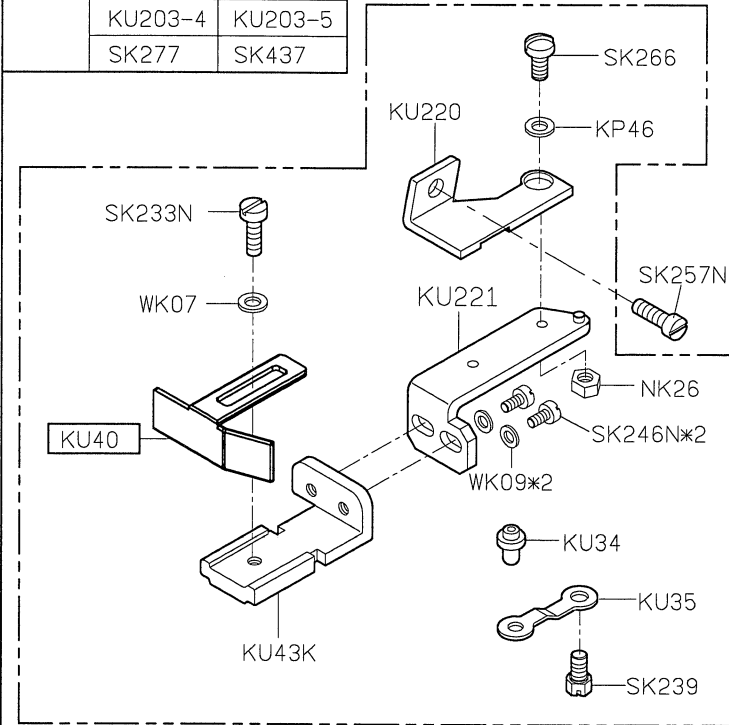
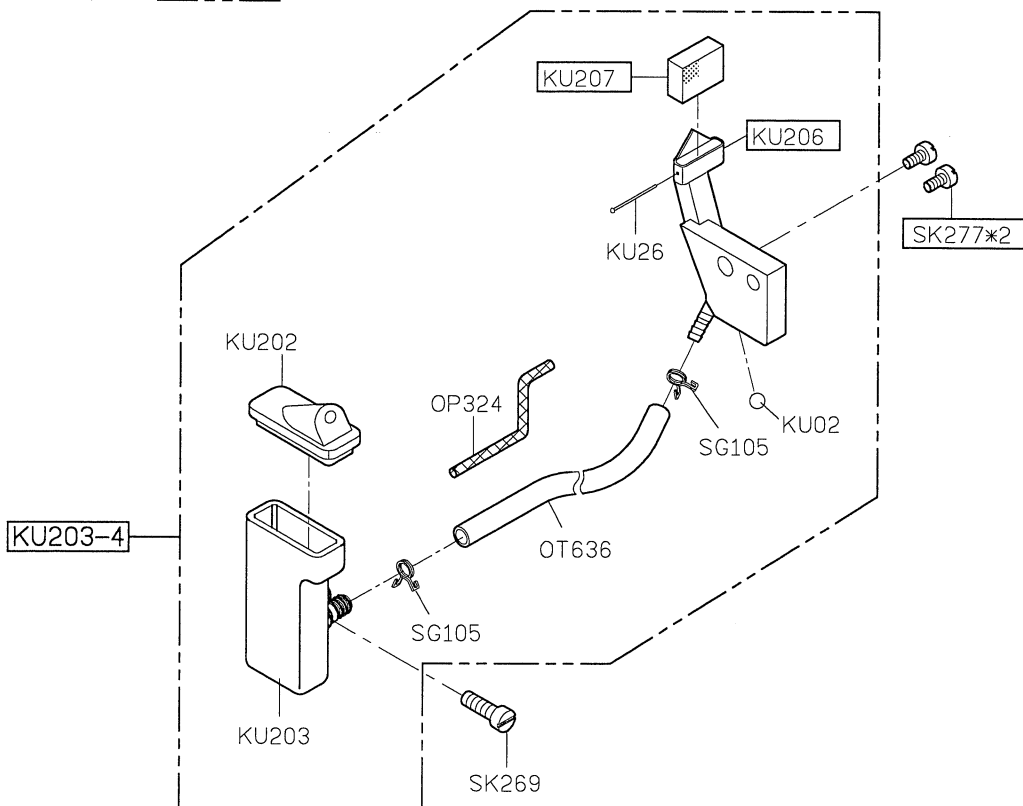
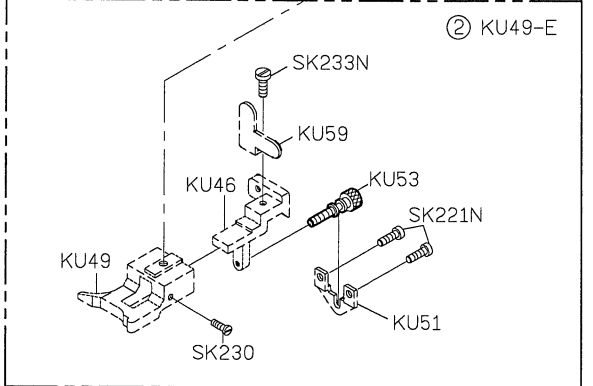
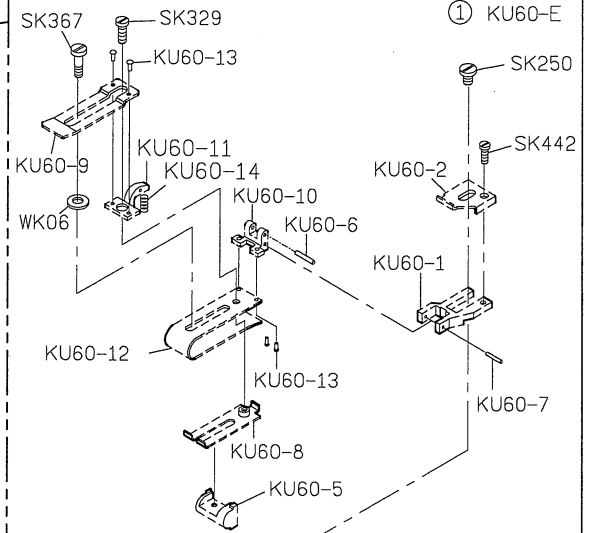
A

B

C

D

E

Option: **KU220-4**

1

2

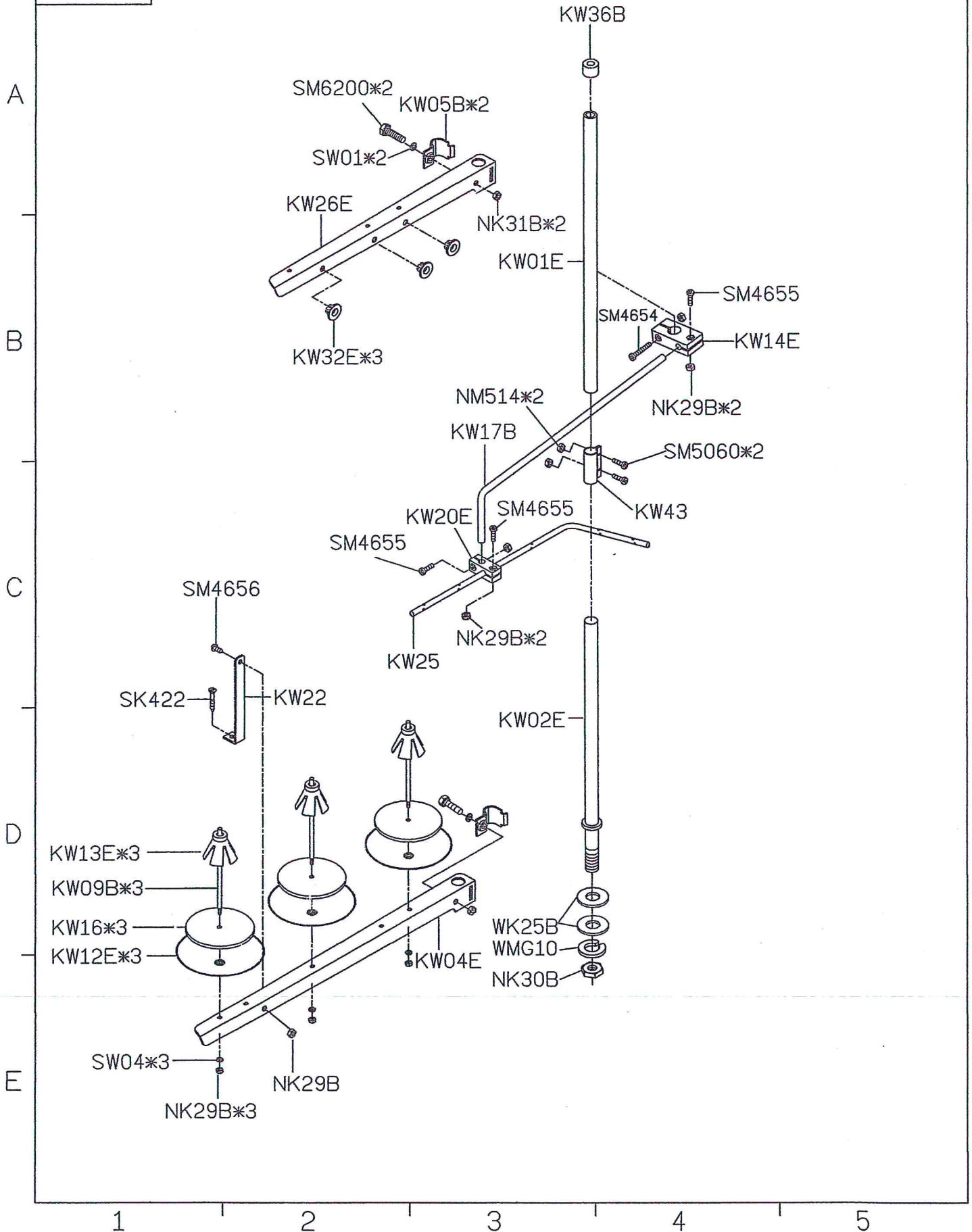
3

4

5

SIRUBA PARTS LIST	Series	Parts Group	Subclass / Remark	Page
	拷克	KW		1/4
	Overlock			Date
	含MO6800系列			2022/07/11

KW40E-3

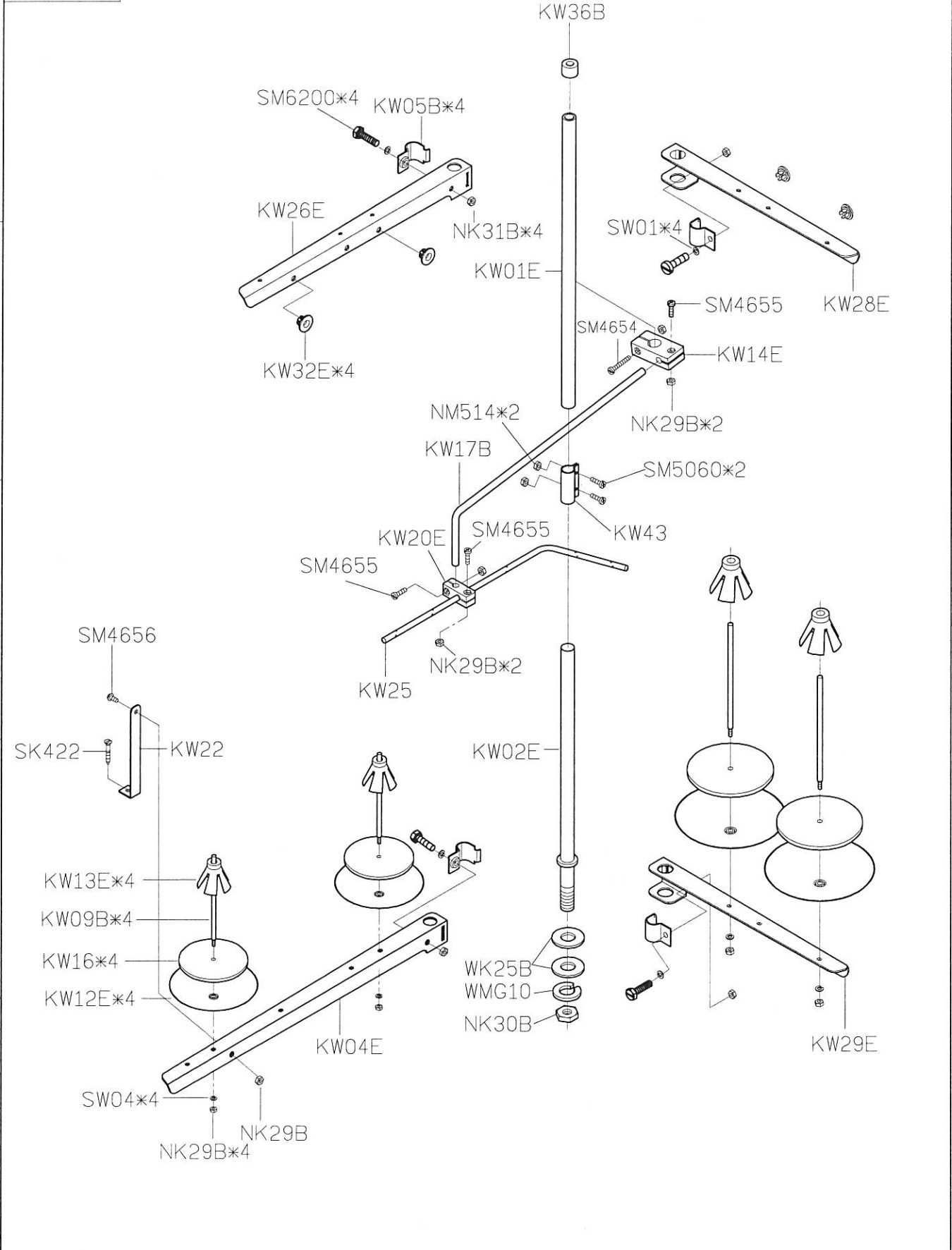


SIRUBA PARTS LIST	Series	Parts Group	Subclass / Remark	Page
	拷克	KW		2/4
	Overlock			Date
	含MO6800系列			2022/07/11

KW40E-4

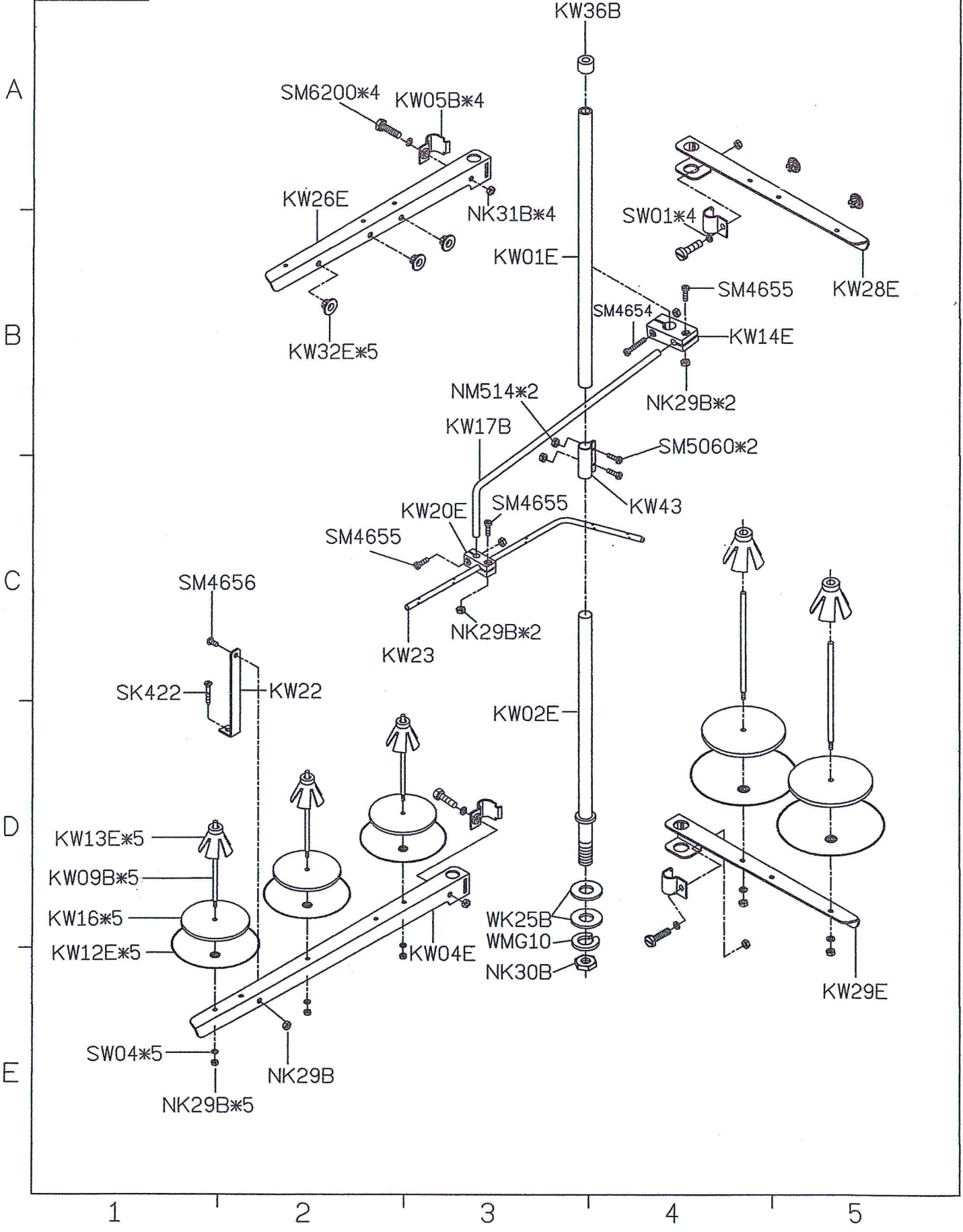
A
B
C
D
E

1 2 3 4 5



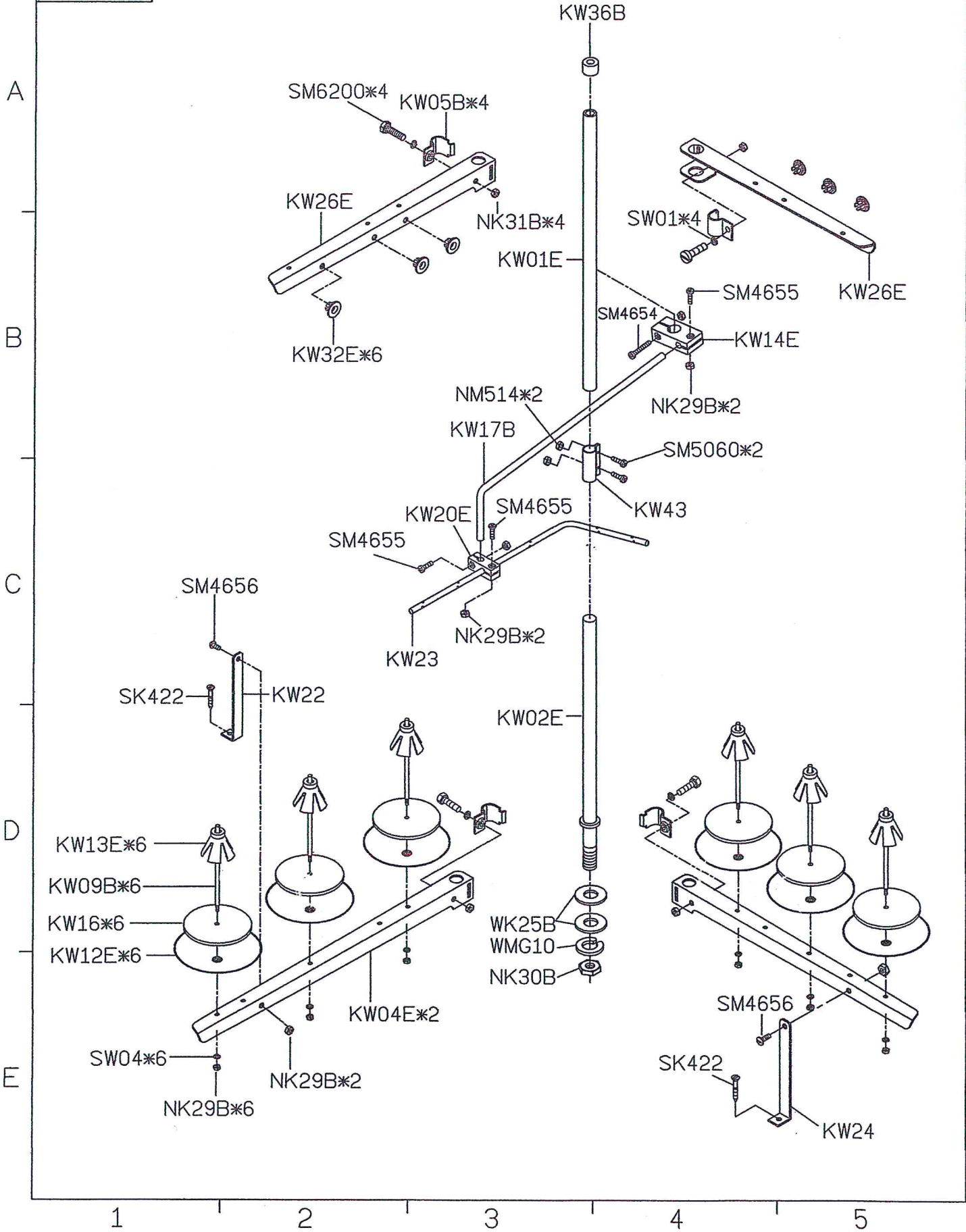
SIRUBA PARTS LIST	Series	Parts Group	Subclass / Remark	Page
	拷克	KW		3/4
	Overlock			Date
	含MO6800系列			2022/07/11

KW40E-5



SIRUBA PARTS LIST	Series	Parts Group	Subclass / Remark	Page
	拷克	KW		4/4
	Overlock			Date
	含MO6800系列			2022/07/11

KW40E-6



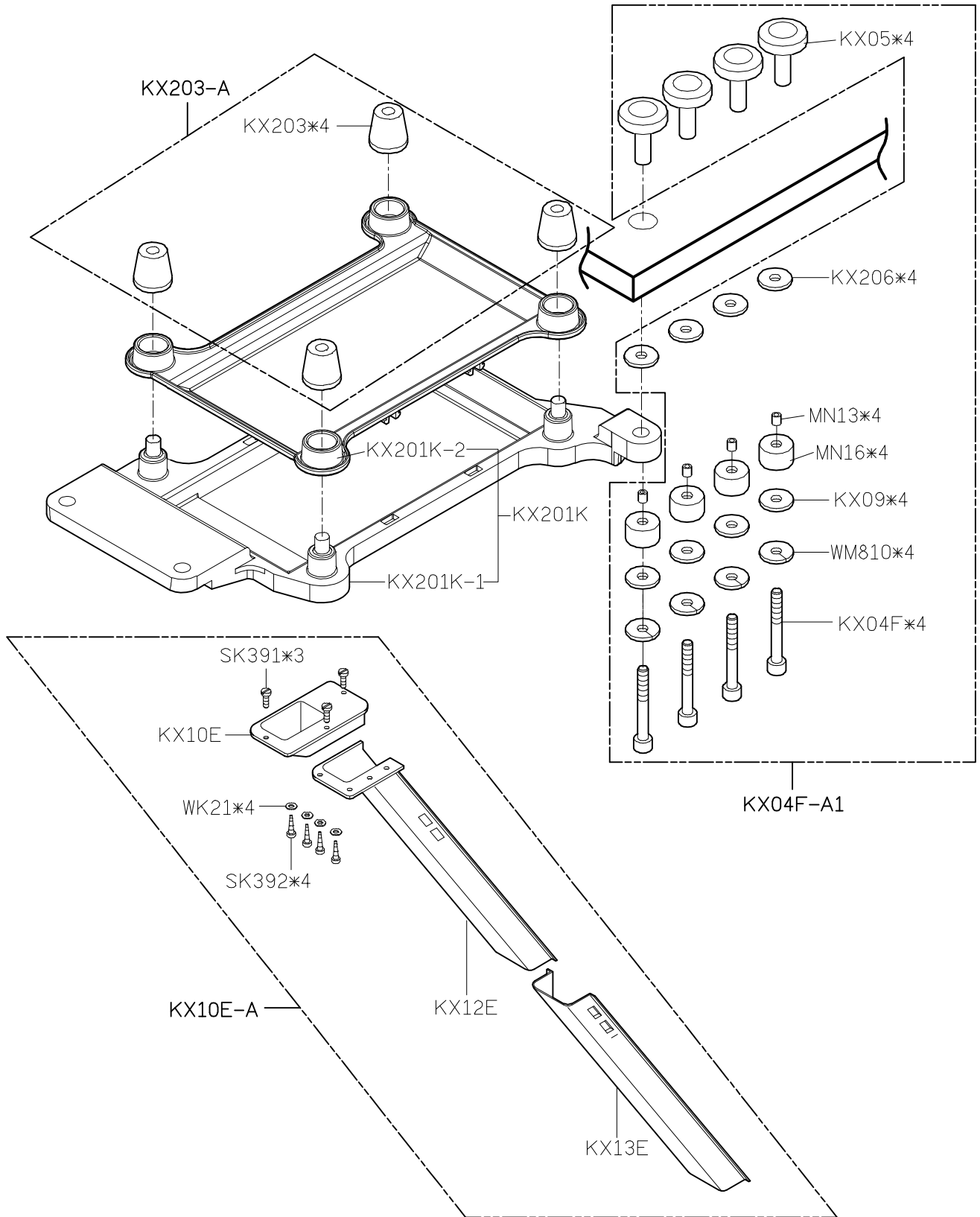
A

B

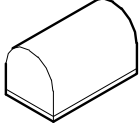





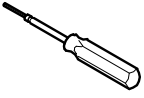
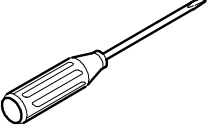
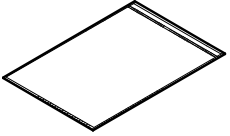
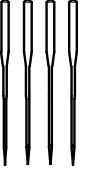



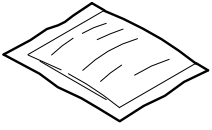
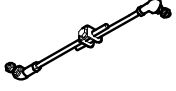
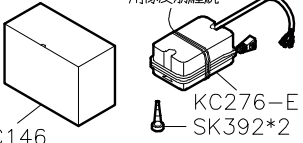

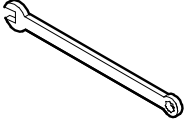
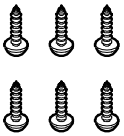
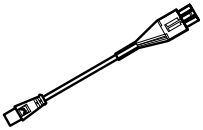
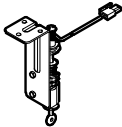
C

D

E



SIRUBA PARTS LIST	Series	Parts Group	Subclass Remark	Page
	700K/700KD 988/988D	KY	#: Use for 700K/988-DKF1 *: Use for 700D/988D	1/1
				Date
				2020/12/15

A	KY01-1 防塵罩 	KY203-A 油罐 	KY03 油壺 	KY04 漏斗 	KY18 鑷子 		
	B	SK216 螺絲 	KY14 內六角螺絲起子 	LY33 一字起子 	KY201JK 工具袋 	針*4 車針 	
		C	KR35/KR35C 下刀片 	KT14-A 濾油器 	KY30 針板紙 	KZ03 乾燥濟 	#TML11 拉杆 
			D	*KC276-A 燈座電器組  用橡皮筋纏繞 KC276-E SK392*2	KY21-A/MY21-A 鉤子/鍊條 	KY231 開口板手 	
				E	#SK392*6 螺絲 	#KD252 連接線 	#KD249-E 控速器 
1	2	3	4		5		

SIRUBA

TABLE
CUT - OUT

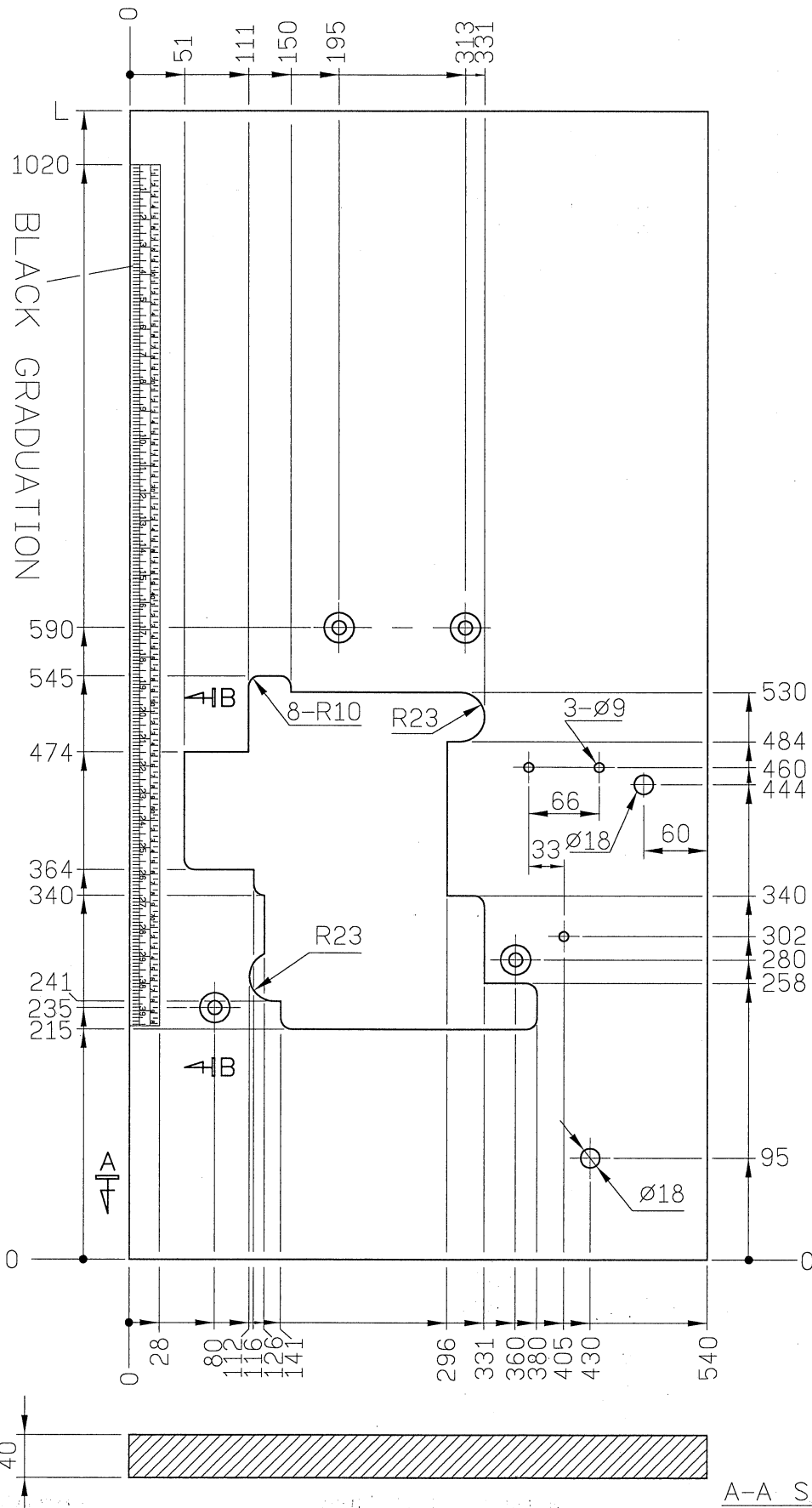
Series
700K/988
700KT/700L

Item Code
700K-T

Subclass Remark

Mounting
Semi-submerged
Date
2018/08/28

單位 / UNIT : mm
所有尺寸公差 / TOLERANCE : ±2
長度 (L) : 1070 / 重量 (W) : 10.5kg ±5%
長度 (L) : 1200 / 重量 (W) : 11.5kg ±5%

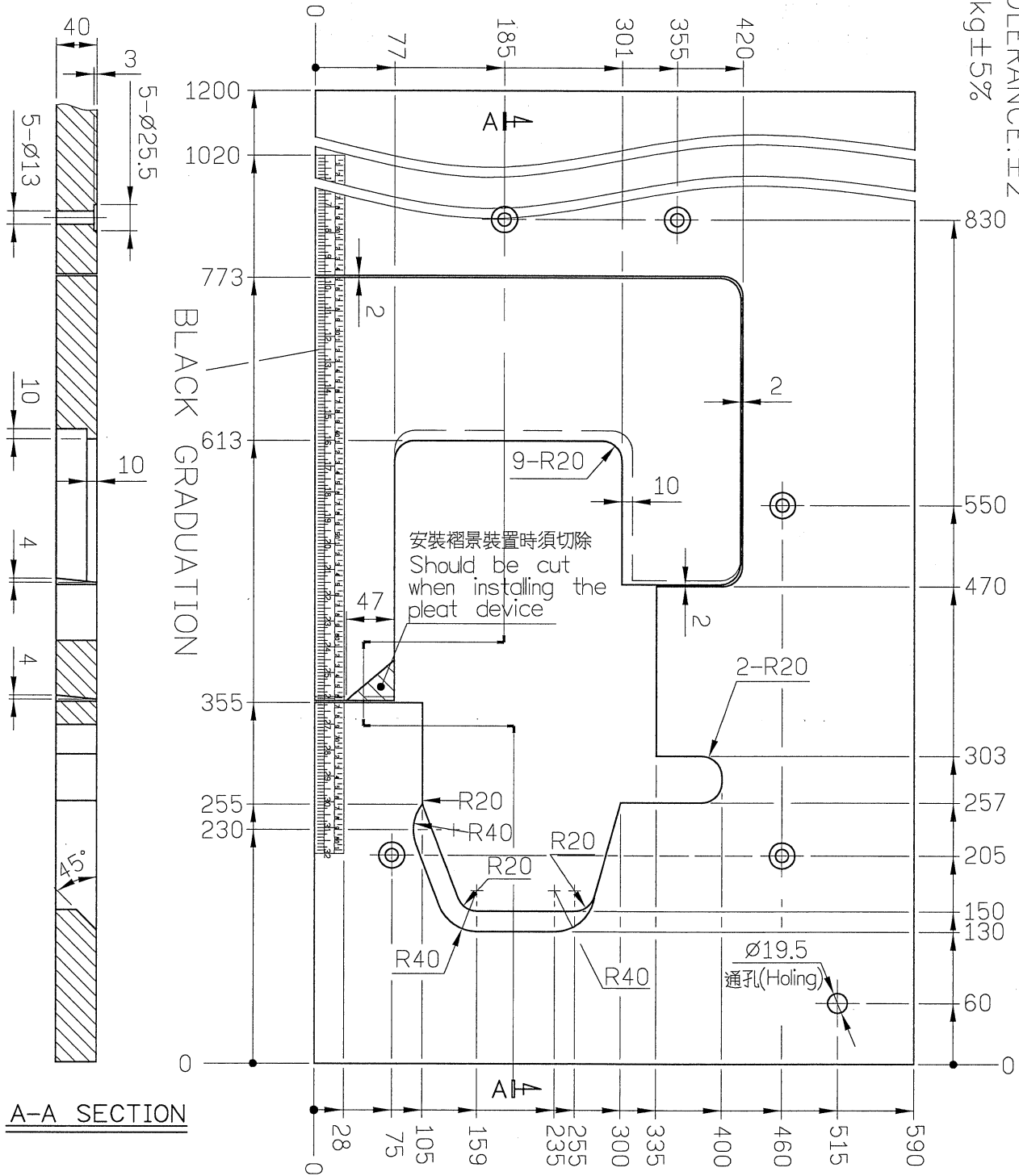


A-A SECTION

B-B SECTION

SIRUBA TABLE CUT - OUT	Series	Item Code	Subclass Remark	Mounting
	700K/988	700K-T2	需配TBK-1 (包含TB201) Collocate With TBK-1 (Including TB201)	Fully-submerged
	700L			Date
				2018/08/28

單位 / UNIT: mm
 所有尺寸公差 / TOLERANCE: ±2
 重量 (W): 12.4kg ±5%



A-A SECTION

SIRUBATABLE
CUT - OUT

Series

700K/988

700L

Item Code

TB201

Subclass Remark

Mounting

Fully-submerged
Fixed Table

Date

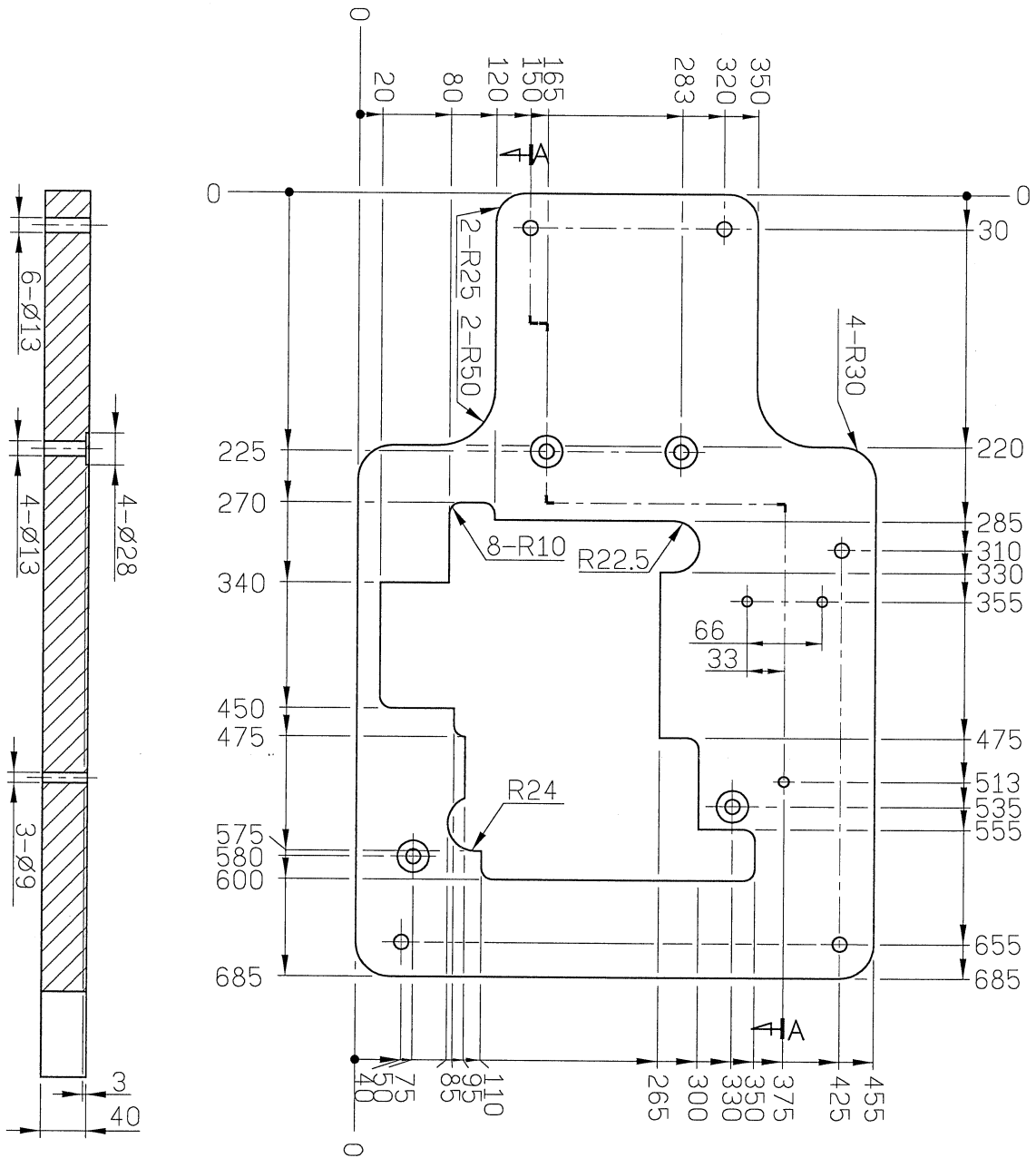
2018/08/28

單位/UNIT:mm

所有尺寸公差/DIFFERENCE:±2

重量(W):4.25kg±5%

全封邊灰格紋光塑面台板/Plastic Table With All Sides Sealed With Gray Plaid

A-A SECTION

SIRUBATABLE
CUT - OUT

Series

700K/988
700L

Item Code

700K-T3

Subclass Remark

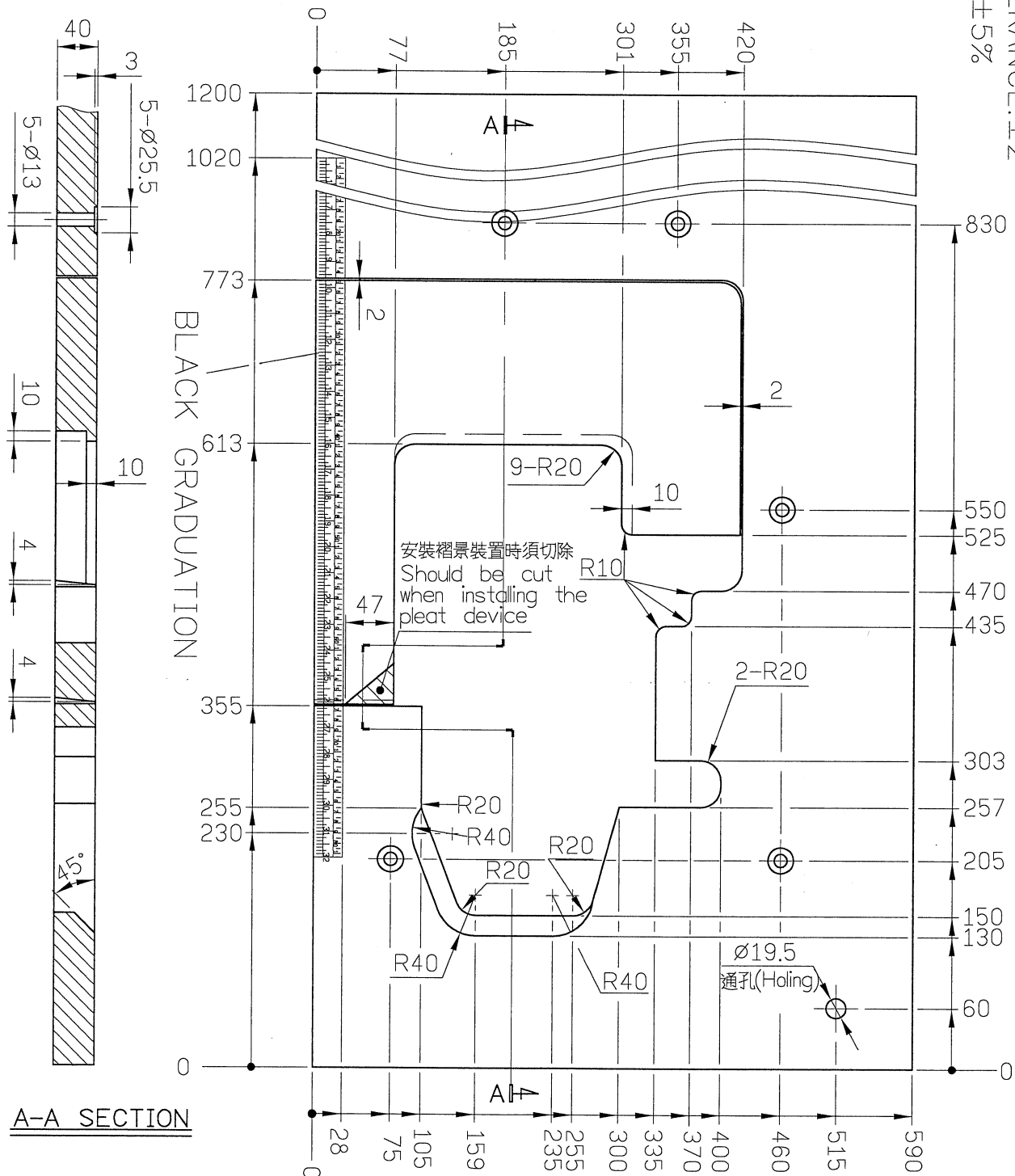
For:EC.CT.VT
需配TBK-1(包含TB201)
Collocate With
TBK-1(Including TB201)

Mounting

Fully-submerged

Date

2018/08/28

單位 / UNIT: mm
所有尺寸公差 / TOLERANCE: ±2
重量 (W): 12.4kg ±5%

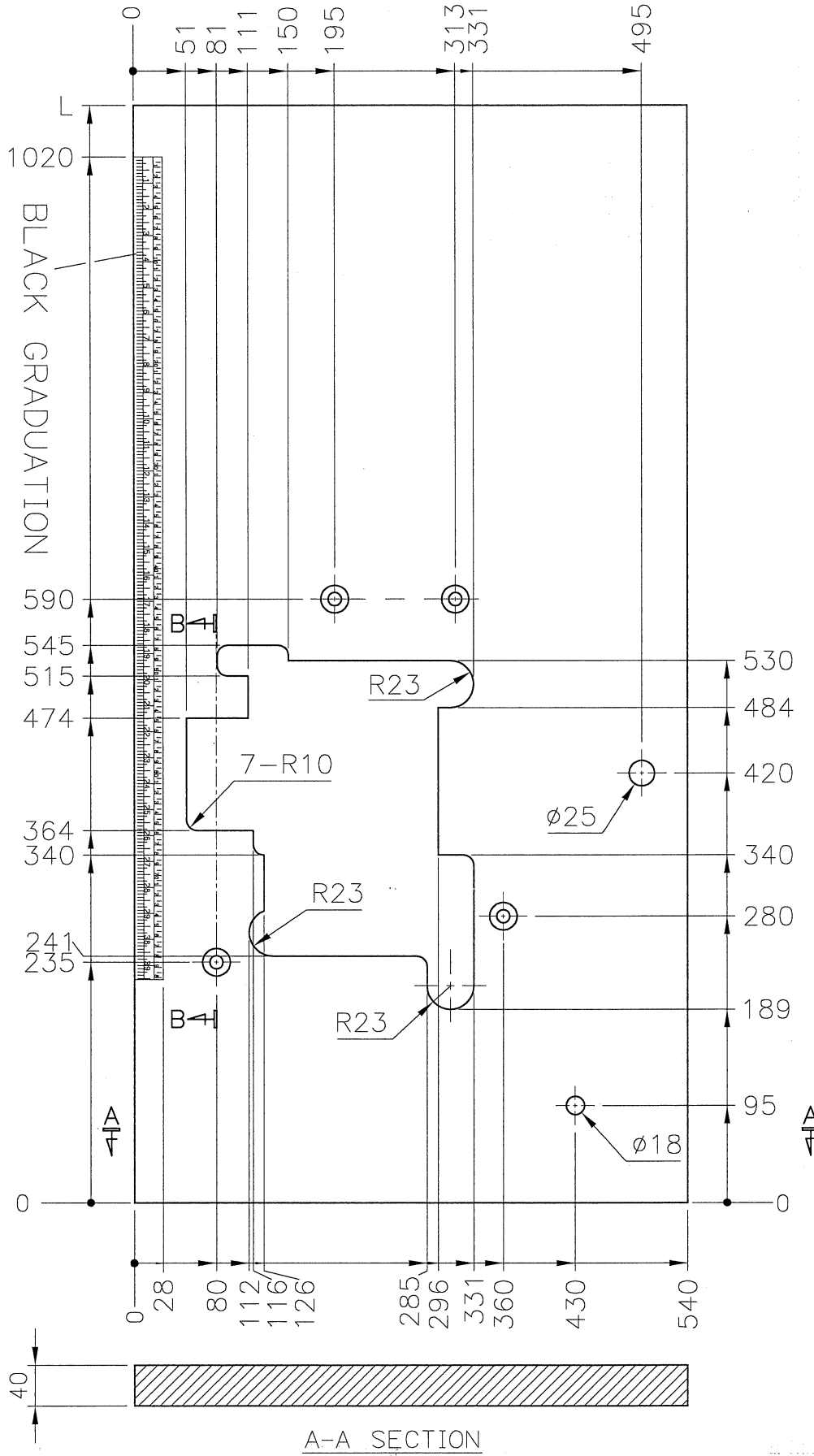
SIRUBA
TABLE
CUT - OUT

Series
700K
700LD

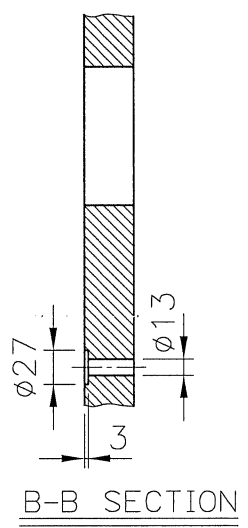
Item Code
700K-T4

Subclass Remark
FOR BKF

Mounting
Semi-submerged
Date
2018/08/28



單位 / UNIT: mm
所有尺寸公差 / TOLERANCE: ± 2
長度 (L): 1200
重量 (W): 11.5kg $\pm 5\%$



A-A SECTION

SIRUBATABLE
CUT - OUTSeries
700K/988/700KT
700L/700LDItem Code
700LD-TSubclass Remark
FOR 直驅用Mounting
Semi-submerged
Date
2018/08/31